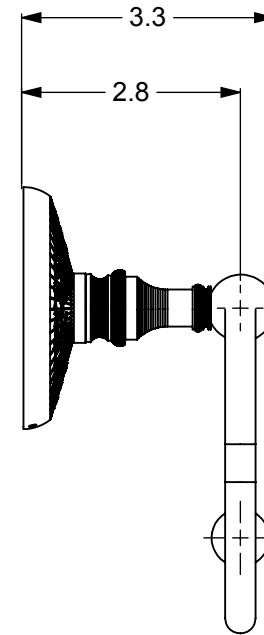
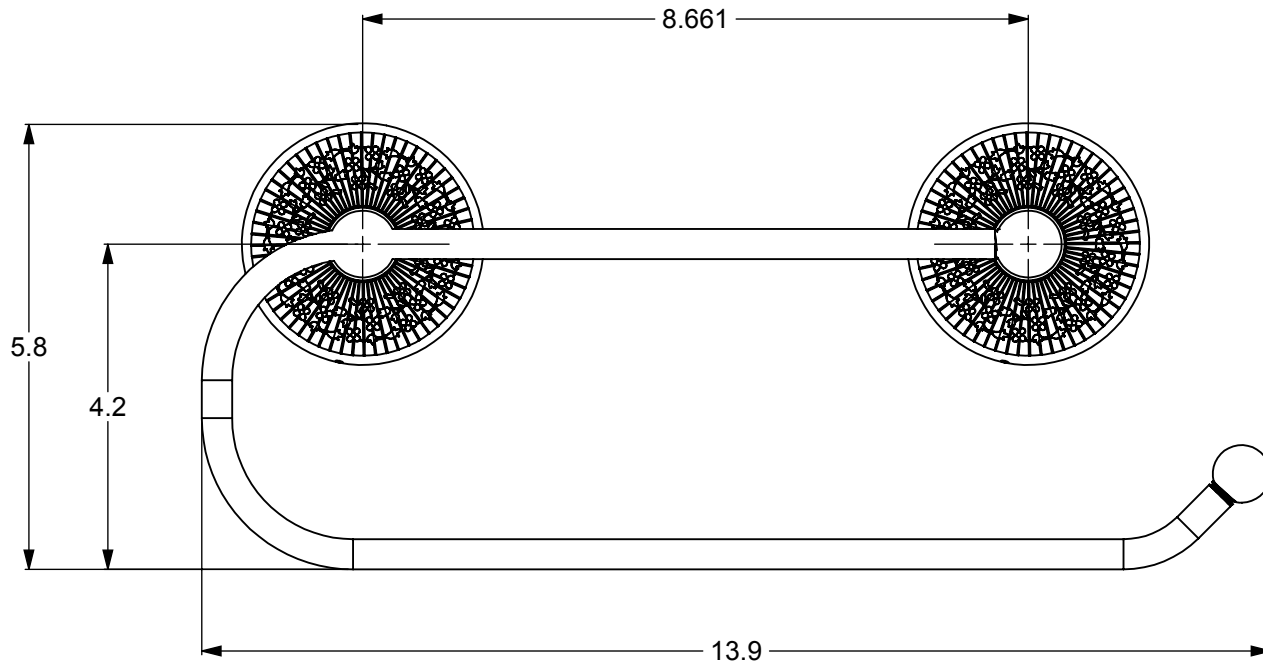
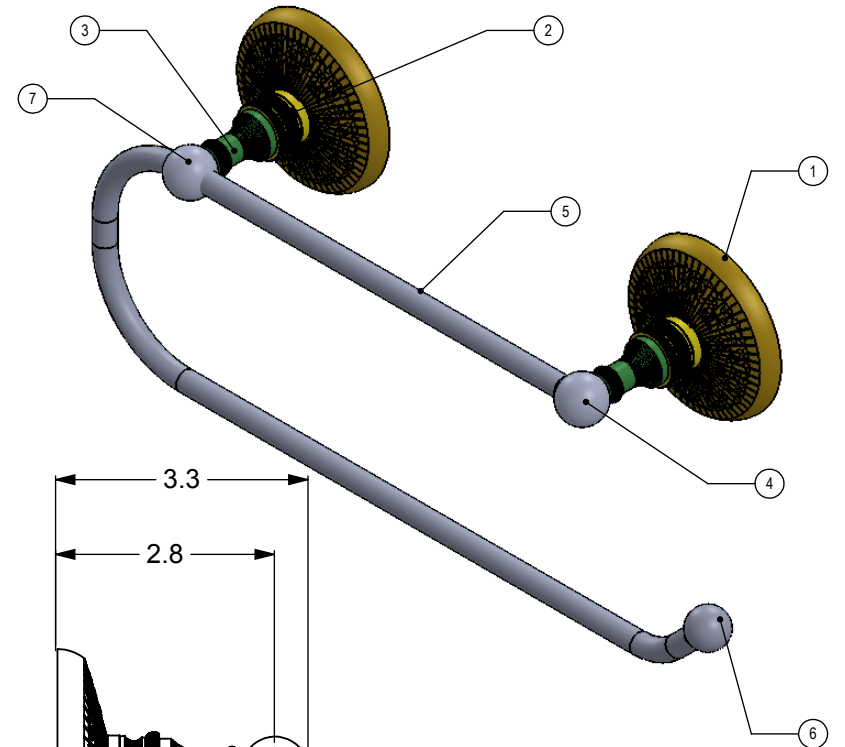


| ITEM NO. | PART NUMBER | DESCRIPTION       | QTY. |
|----------|-------------|-------------------|------|
| 1        | BPMC        | BASE              | 2    |
| 2        | NKSL-58     | Support           | 2    |
| 3        | NKSL-1.25   | BALL 1"           | 2    |
| 4        | BL2T-1      | END BALL SUPPORT  | 1    |
| 5        | HKPAPTS     | HOOK              | 1    |
| 6        | BL1T-34     | End Ball          | 1    |
| 7        | BL1T2S-1    | BALL SUPPORT-SLIP | 1    |



UNLESS OTHERWISE STATED

|      |         |
|------|---------|
| .X   | ±.3mm   |
| .XX  | ±.15mm  |
| .XXX | ±.008mm |

COPYRIGHT © Allied Brass 2016



THIRD ANGLE PROJECTION

|          |          |     |
|----------|----------|-----|
| DRAWN    | 4/6/2016 | I.M |
| CHECKED  | 4/6/2016 | P.D |
| APPROVED | 4/6/2016 | R.A |

|              |                                 |
|--------------|---------------------------------|
| MATERIAL:    | BRASS                           |
| DESCRIPTION: | Wall Mounted Paper Towel Holder |
|              |                                 |

UNIT IS INCHES

|             |       |
|-------------|-------|
| FINISH      | TBD   |
| QUANTITY    | TBD   |
| DRAWING No. | REV   |
| PMC-25EW    | 0     |
| SCALE       | 1:2.5 |
| SHEET: 01   | A4    |