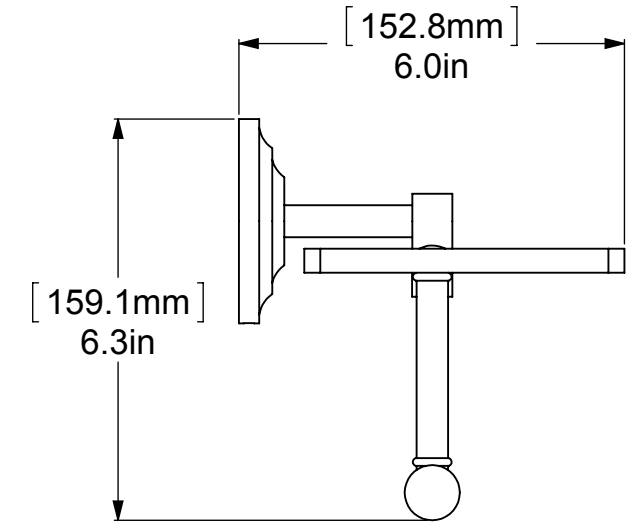
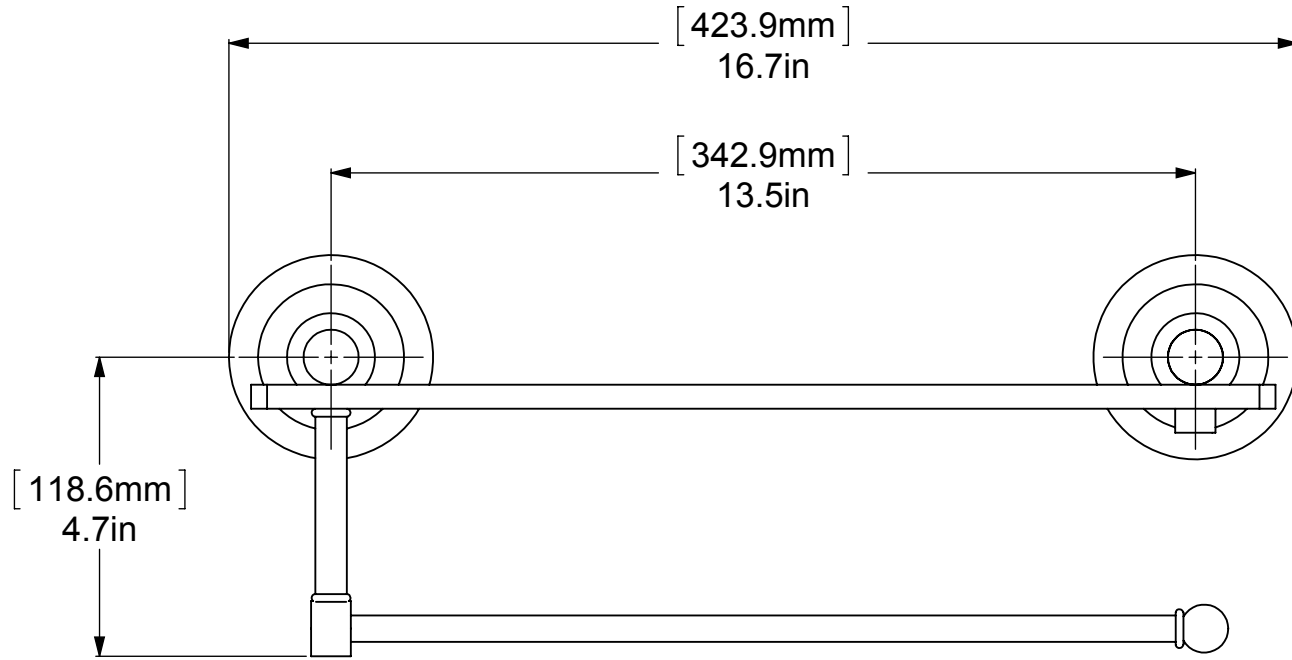
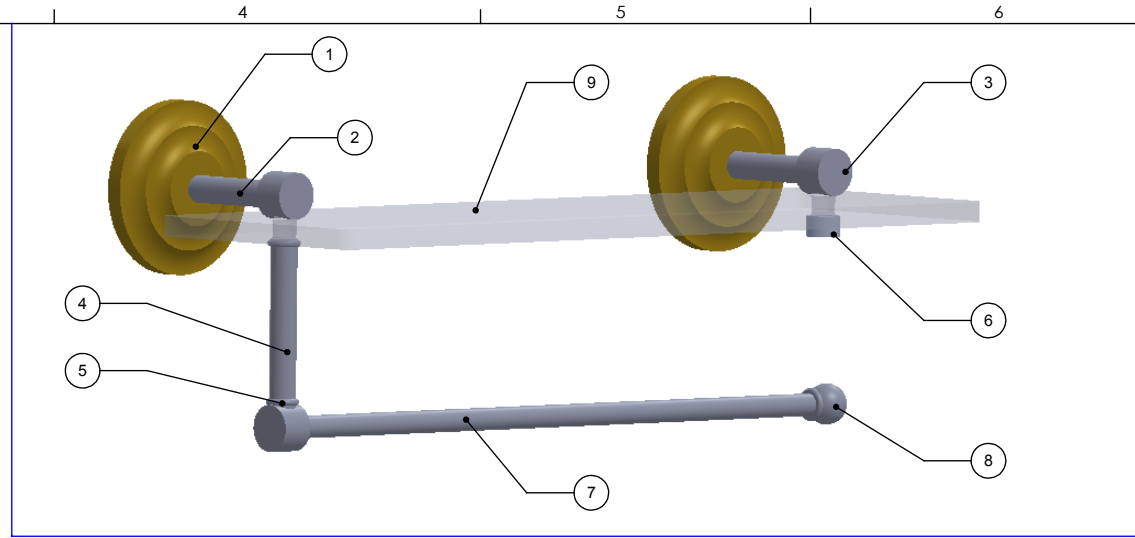
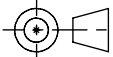



ITEM NO.	P/N	DESCRIPTION	QTY.
1	BPQN	BACKPLATE	2
2	TU12-2	TUBE SUPPORT TOP	2
3	HBBTT-78	HUB	3
4	TU12-3	VERTICAL TUBE	1
5	CRRD-12	CHECK RING	4
6	CARD-58	CAP	1
7	TU12-13.5	LOWER TUBE	1
8	BL1T-34	BALL	1
9	GLRT-16	GLASS	1



DRAWN 11-12-15 I.M		MATERIAL:		FINISH	TBD
CHECKED 11-12-15 P.D		DESCRIPTION:		QUANTITY	TBD
APPROVED 11-12-15 R.A		PQN-1PT-16		DRAWING No. PQN-1PT-16	
 THIRD ANGLE PROJECTION				SCALE	1:3
COPYRIGHT © Allied Brass 2015				SHEET: 01	A4
				REV	0