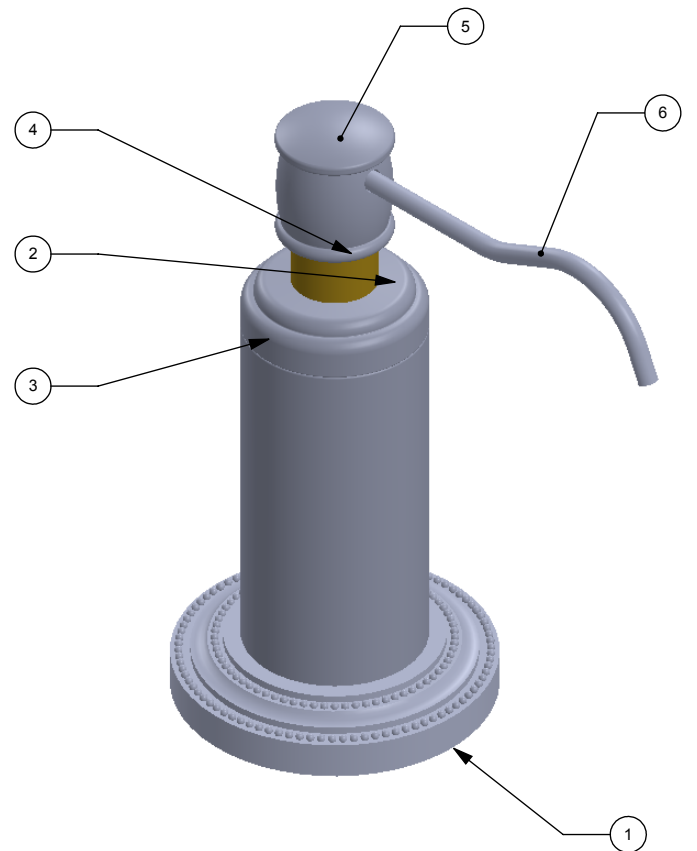
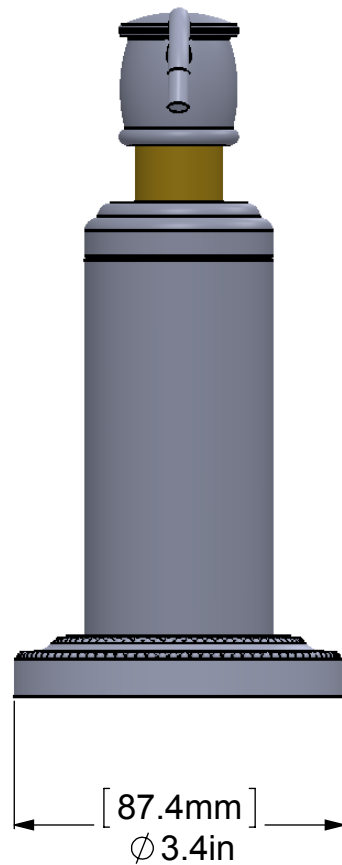
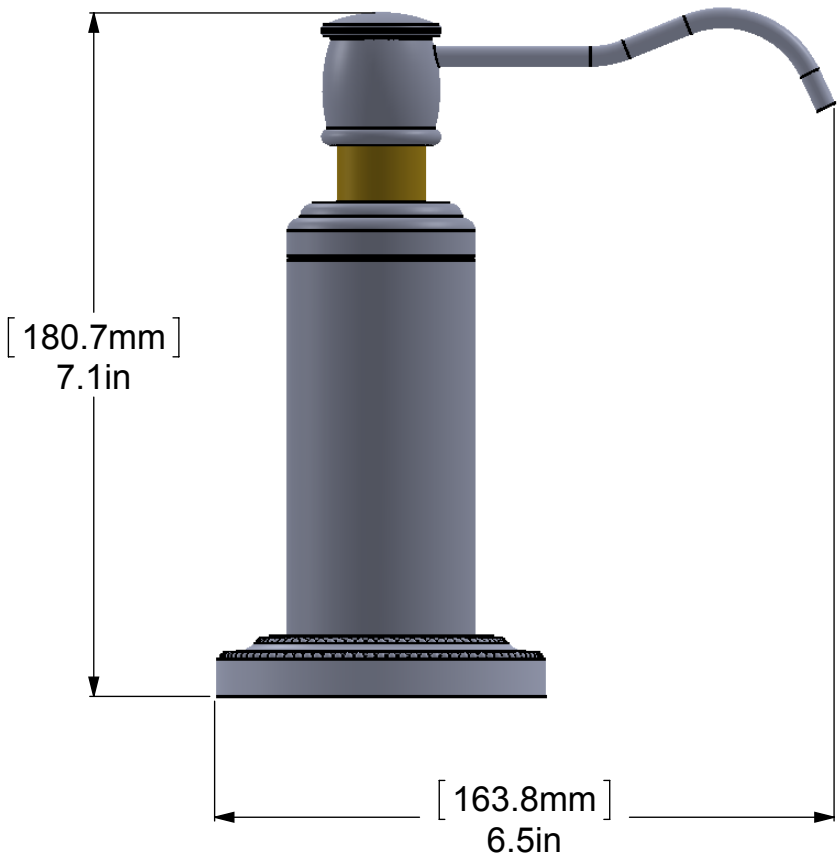


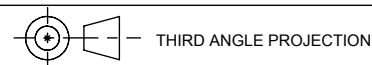
ITEM NO.	P/N	DESCRIPTION	QTY.
1	BSSDDT	BASE	1
2	TUSD	SUPPORT STEM	1
3	CASDCL	HUB LOCK	1
4	CASDTC	NIPPLE	1
5	SD-HEAD	HEAD	1
6	SD-SPT	TUBE	1



UNLESS OTHERWISE STATED

.X	± .3mm
.XX	± .15mm
.XXX	± .008mm

COPYRIGHT © Allied Brass 2016



DRAWN	3/31/2016	I.M
CHECKED	3/31/2016	P.D
APPROVED	3/31/2016	R.A

MATERIAL:	BRASS
DESCRIPTION:	Vanity Top Soap Dispenser



FINISH	TBD
QUANTITY	TBD
DRAWING No.	DT-61
REV	0
SCALE	1:2
SHEET: 01	A4