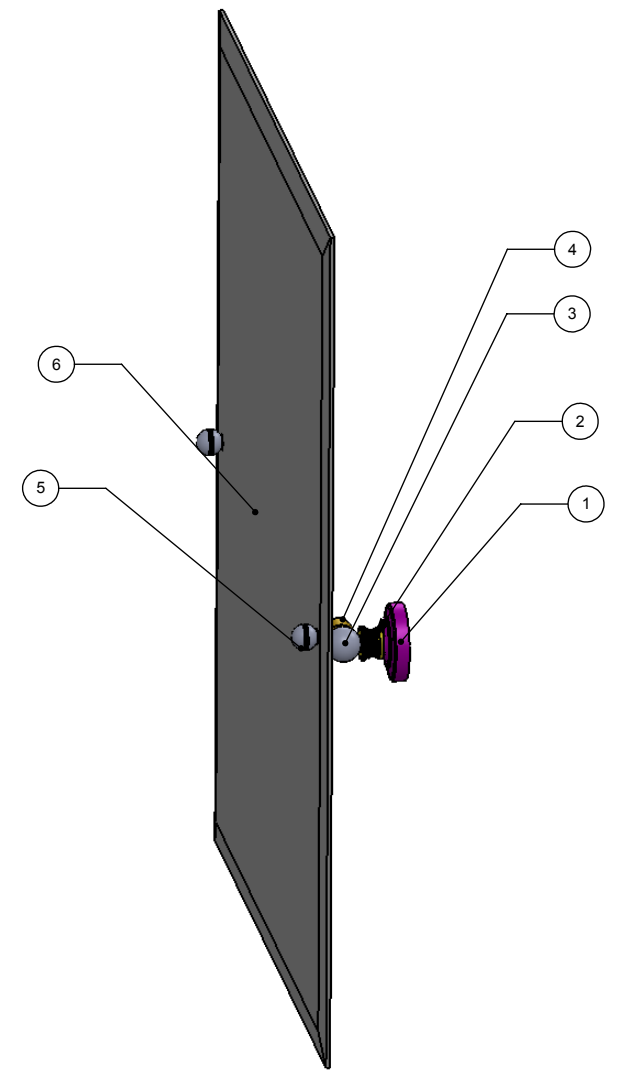
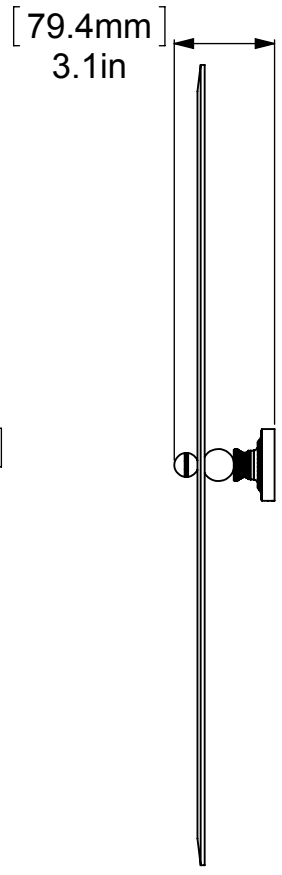
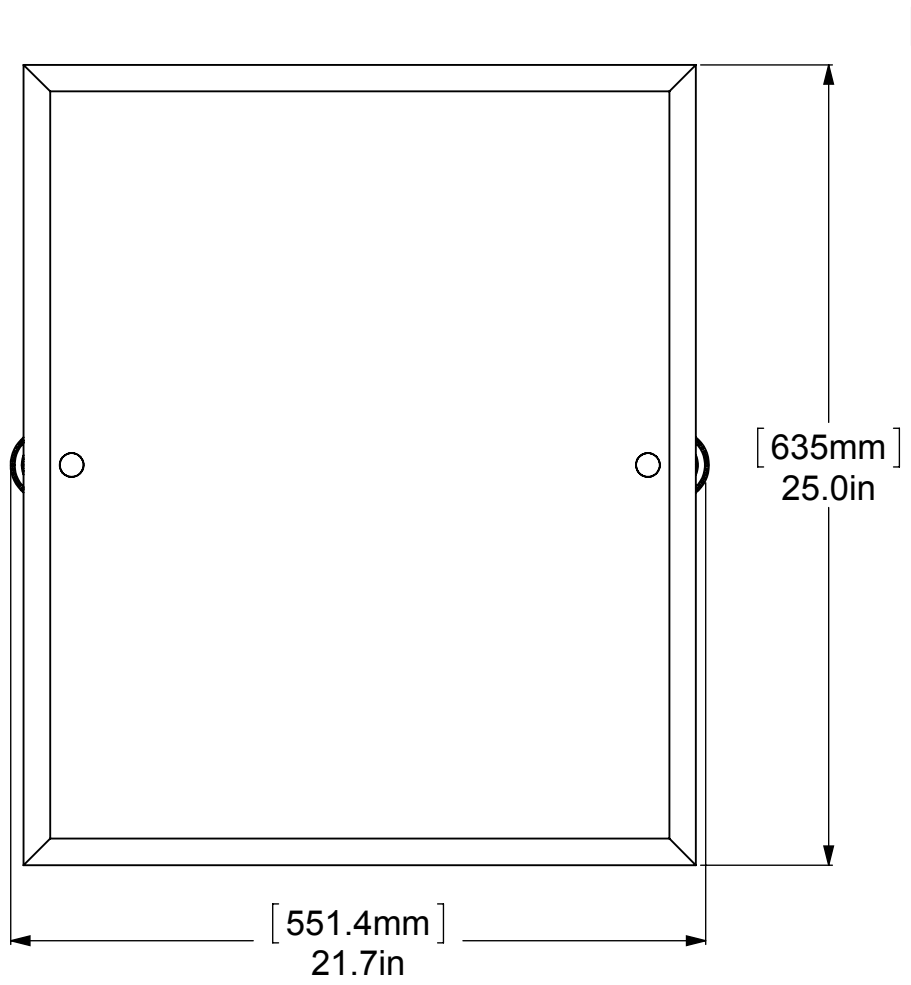


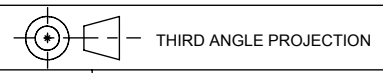
|   |           |              |   |
|---|-----------|--------------|---|
| 1 | BPDT      | BACKPLATE    | 2 |
| 2 | NKSL-58   | SUPPORT      | 2 |
| 3 | BL2T-1    | BALL SUPPORT | 2 |
| 4 | HBTT-78   | TILT         | 2 |
| 5 | BLDT1T-34 | BALL         | 2 |
| 6 | MRRT-92   | MIRROR       | 1 |



UNLESS OTHERWISE STATED

|      |         |
|------|---------|
| .X   | ±.3mm   |
| .XX  | ±.15mm  |
| .XXX | ±.008mm |

COPYRIGHT © Allied Brass 2016



|          |           |     |
|----------|-----------|-----|
| DRAWN    | 2/17/2016 | I.M |
| CHECKED  | 2/17/2016 | P.D |
| APPROVED | 2/17/2016 | R.A |

|              |        |
|--------------|--------|
| MATERIAL:    | BRASS  |
| DESCRIPTION: | MIRROR |



|             |     |
|-------------|-----|
| FINISH      | TBD |
| QUANTITY    | TBD |
| DRAWING No. | REV |
| DT-92       | 0   |
| SCALE       | 1:6 |
| SHEET: 01   | A4  |