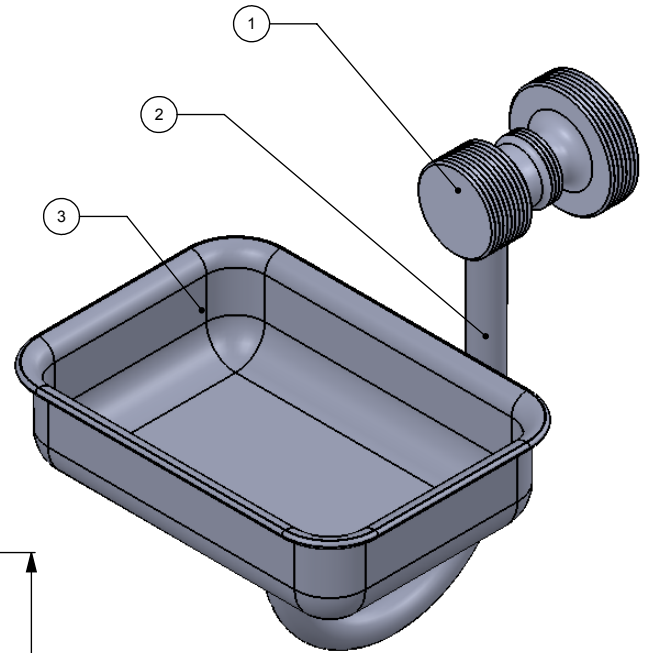
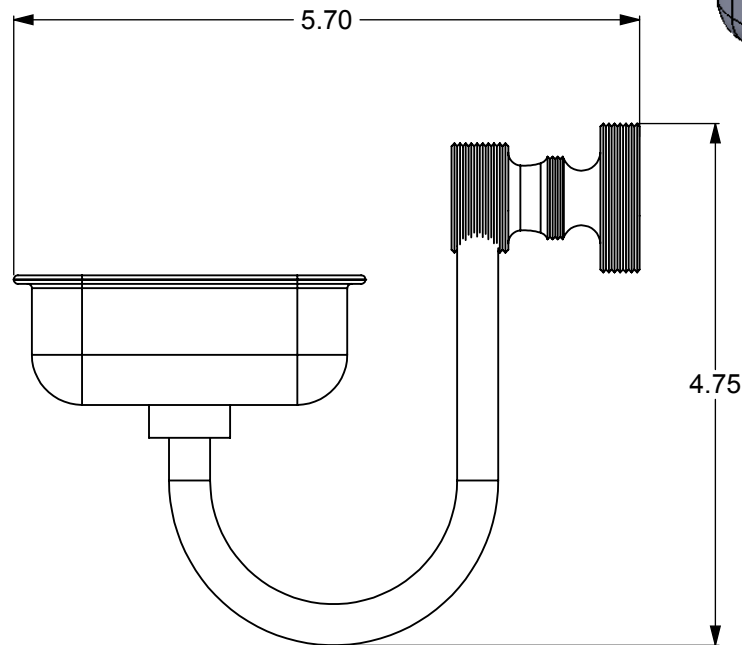
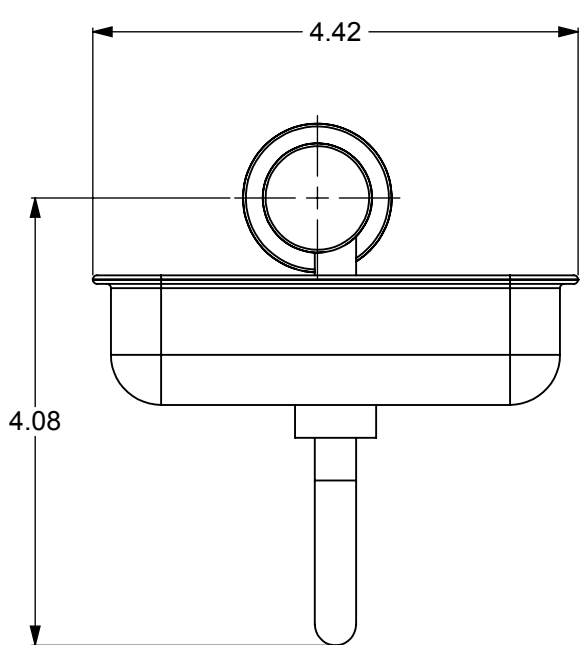


| ITEM NO. | P/N   | DESCRIPTION | QTY. |
|----------|-------|-------------|------|
| 1        | PSFTR | BASE        | 1    |
| 2        | HKVT  | U-PIPE      | 1    |
| 3        | HRRTS | Tub         | 1    |

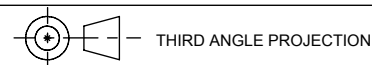


NOTES:  
1. UNIT IS IN INCHES

UNLESS OTHERWISE STATED

|      |         |
|------|---------|
| .X   | ±.3mm   |
| .XX  | ±.15mm  |
| .XXX | ±.008mm |

COPYRIGHT © Allied Brass 2016



|          |          |     |
|----------|----------|-----|
| DRAWN    | 2-5-2016 | I.M |
| CHECKED  | 2-5-2016 | P.D |
| APPROVED | 2-5-2016 | R.A |

|              |           |
|--------------|-----------|
| MATERIAL:    | BRASS     |
| DESCRIPTION: | SOAP DISH |



|             |        |
|-------------|--------|
| FINISH      | TBD    |
| QUANTITY    | TBD    |
| DRAWING No. | REV    |
| FT-32       | 0      |
| SCALE       | 1:1.75 |
| SHEET: 01   | A4     |