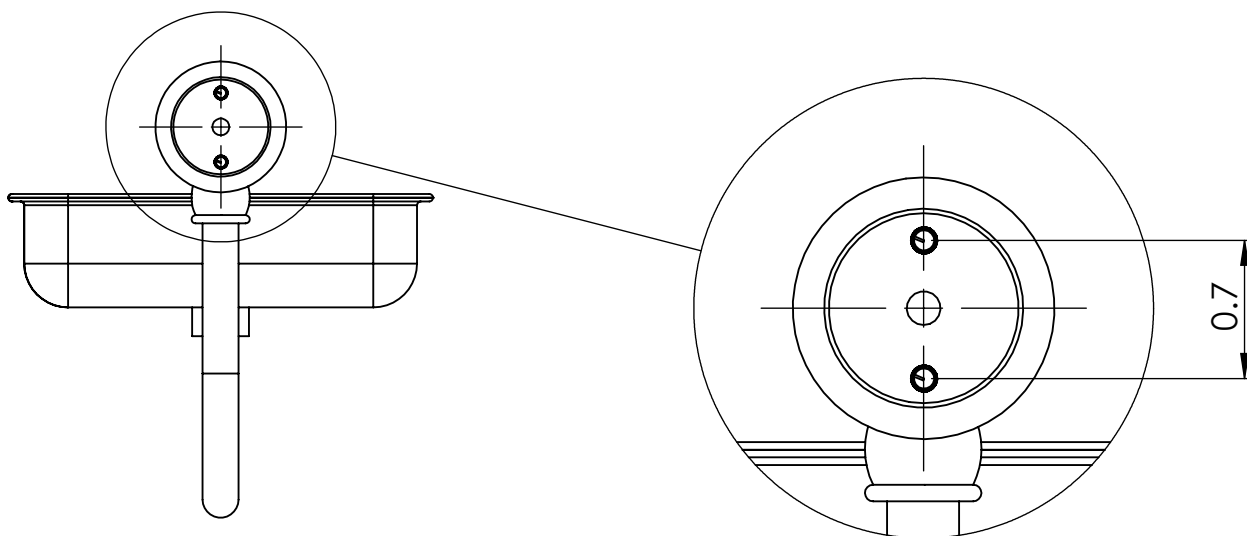


INSTALLATION INSTRUCTIONS

Step 1: Drill holes in Wall for Backplate Mounting

Determine your desired location for installation and make a mark for the location . Make 2 marks where mounting screws will be placed as shown below. Mark for location of installation. Drill hole at each end of the marks.



Step 2: Attach Soap Dish to Backplate

Mount Backplate to desired location and screw them in placed. Then insert Soap Dish into Backplate and tighten with Set Screw provided.

