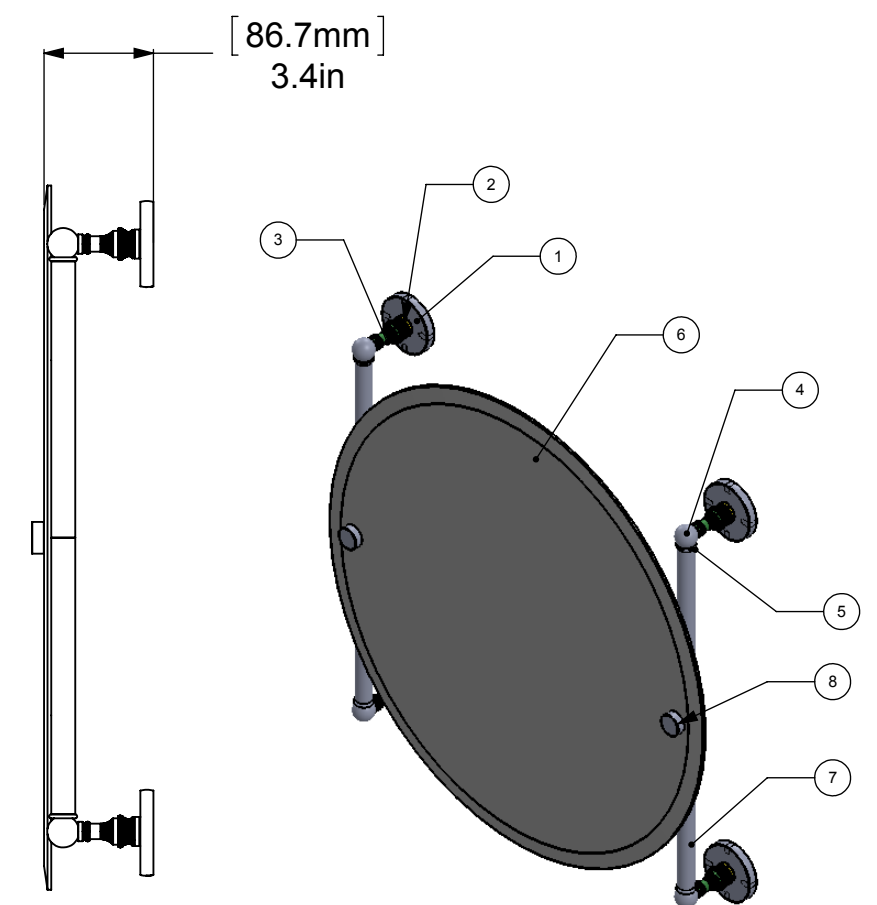
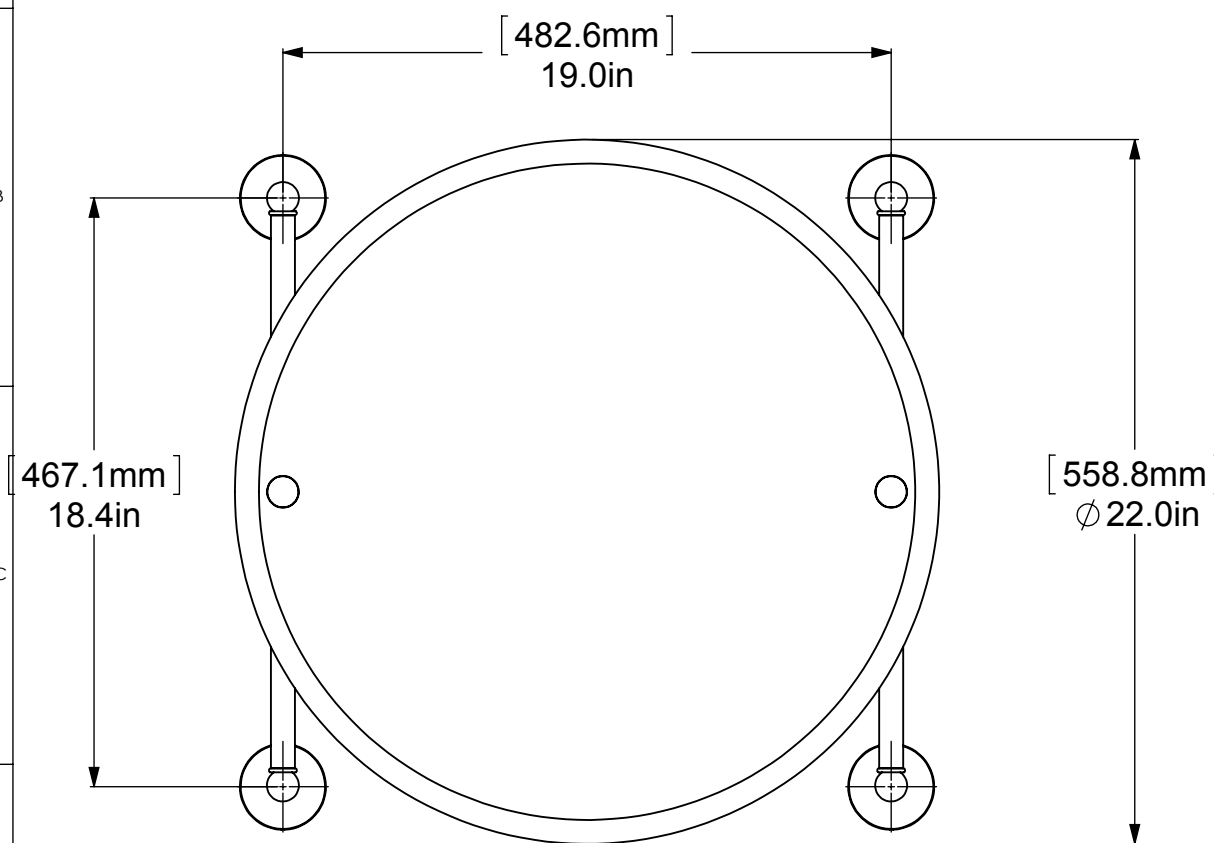


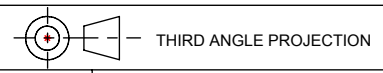
ITEM NO.	P/N	Description	QTY.
1	BPRD	BACKPLATE	4
2	NKSL-58	SUPPORT	4
3	NKSL-1.25	NECK	4
4	BL2T-1	HUB	4
5	CRRD-34	CHECK RING	4
6	MRRD-90	MIRROR	1
7	TU34-17	TUBE	2
8	CARD-1	LOCK	2



UNLESS OTHERWISE STATED

.X	±.3mm
.XX	±.15mm
.XXX	±.008mm

COPYRIGHT © Allied Brass 2016



DRAWN	4/1/2017	I.M
CHECKED	4/1/2017	P.D
APPROVED	4/1/2017	R.A

MATERIAL: BRASS  
 DESCRIPTION: Prestige Skyline Collection Round Frameless Rail Mounted Mirror



FINISH	TBD
QUANTITY	TBD
DRAWING No.	REV
P1000-27-90	0
SCALE	1:6
SHEET: 01	A4