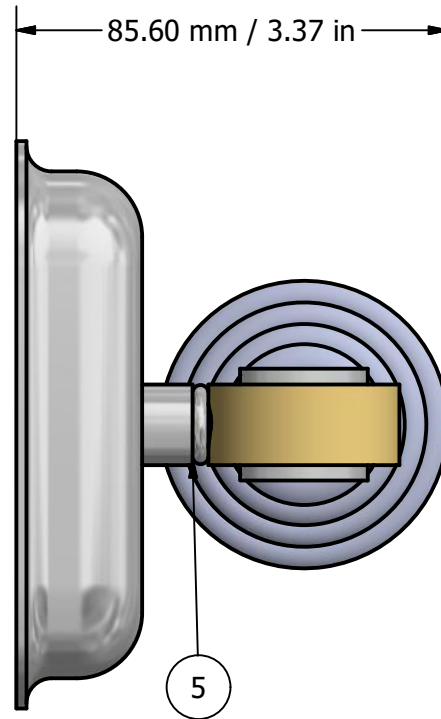
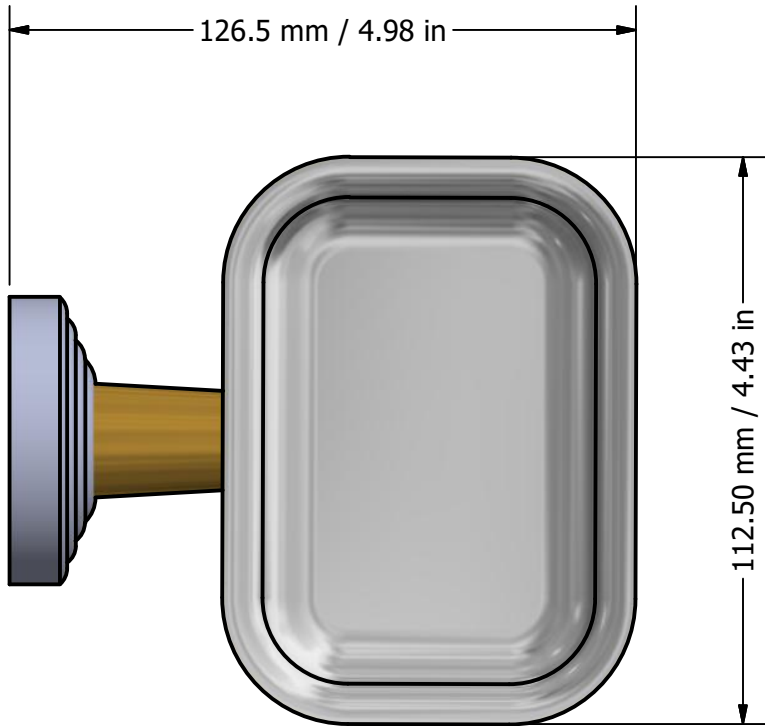
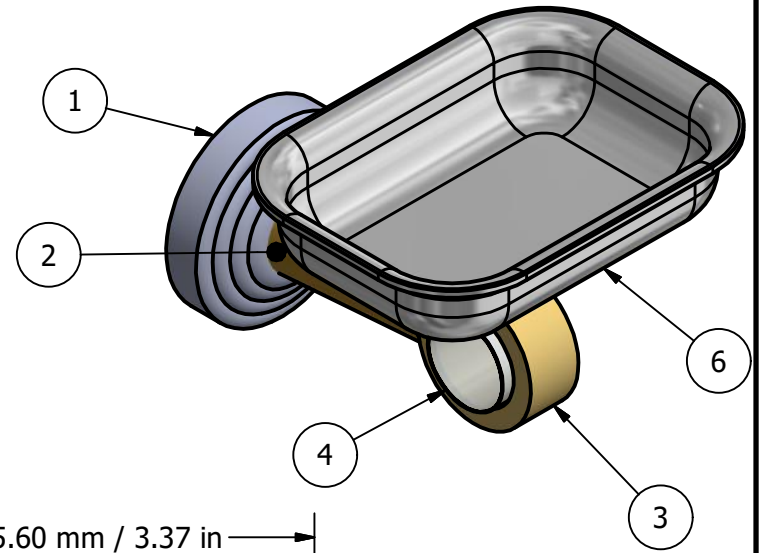


PARTS LIST			
ITEM	QTY	PART NUMBER	DESCRIPTION
1	1	BPWV	BACKPLATE
2	1	CL-TB	NECK
3	1	RGSM-D-1	RING WITH NEW SIZE HOLE
4	1	AC-HHUB	ACRYLIC HUB
5	1	CRRD-12	CHECK RING
6	1	HRRTS	SOAP DISH HOLDER



UNLESS OTHERWISE SPECIFIED	
.X	± .3mm
.XX	± .15mm
.XXX	± .008mm

UNIT IS IN MM.



DRAWN	10-17-18	IM
CHECKED	10-17-18	P.D.
APPROVED	10-17-18	R.A.

MATERIAL:	BRASS
DESCRIPTION:	Pacific Beach Collection Wall Mounted Soap Dish Holder



APPROVED FOR PRODUCTION
By: RICHARD PAUL
Date: 10-17-18

FINISH	TBD
QTY	TBD
DRAWING NO.	PB-32
SCALE	1.5:1
SHEET	1 OF 1
REV	0