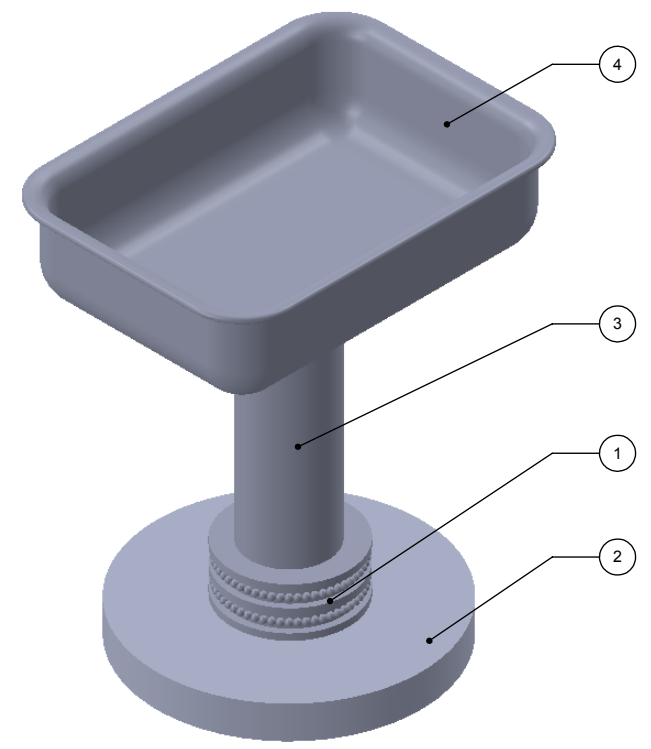
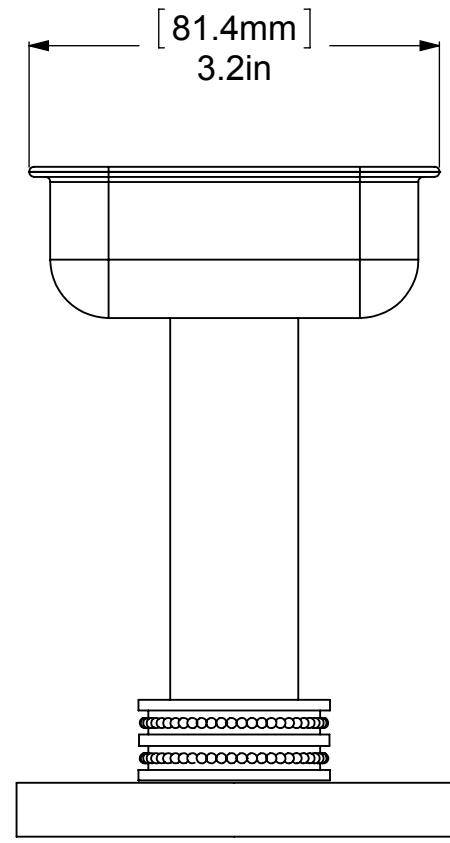
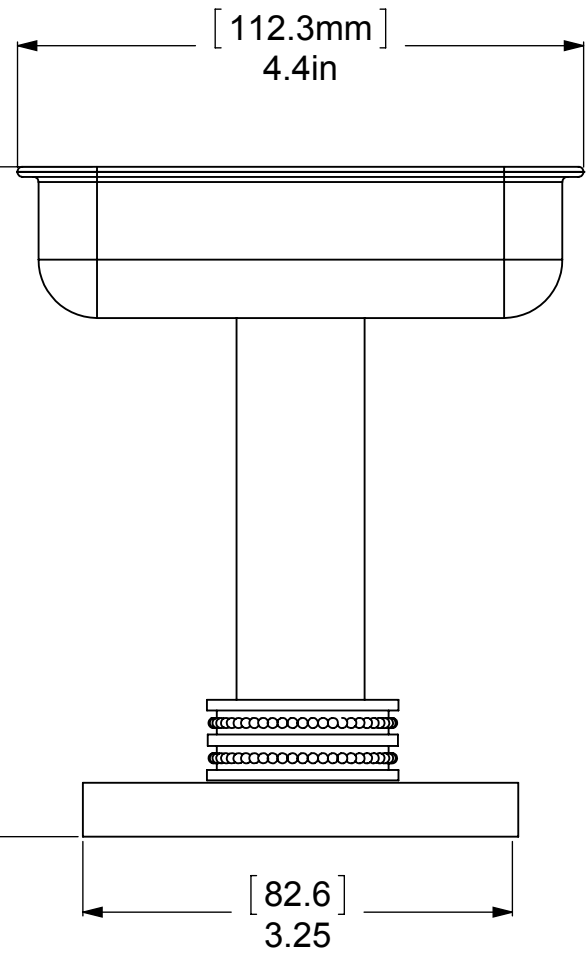


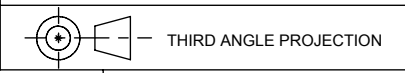
ITEM NO.	P/N	DESCRIPTION	QTY.
1	RGDT	HUB	1
2	BSRD-3.25	BASE	1
3	TU1-3	TUBE	1
4	HRRTS	Tab	1



UNLESS OTHERWISE STATED

.X	±.3mm
.XX	±.15mm
.XXX	±.008mm

COPYRIGHT © Allied Brass 2017



DRAWN	7/1/2017	I.M
CHECKED	7/1/2017	P.D
APPROVED	7/1/2017	R.A

MATERIAL:	BRASS
DESCRIPTION:	SOAP DISH



FINISH	TBD
QUANTITY	TBD
DRAWING No.	956D
REV	0
SCALE	1:1.5
SHEET: 01	A4