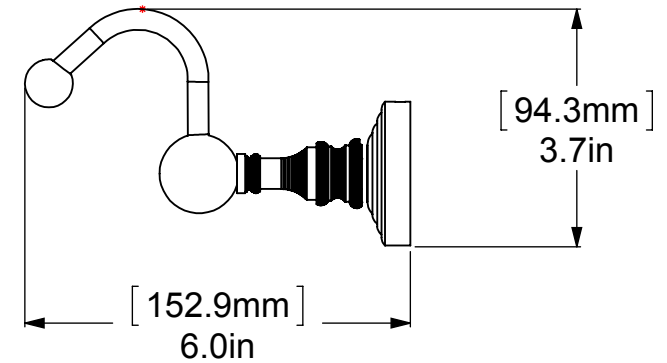
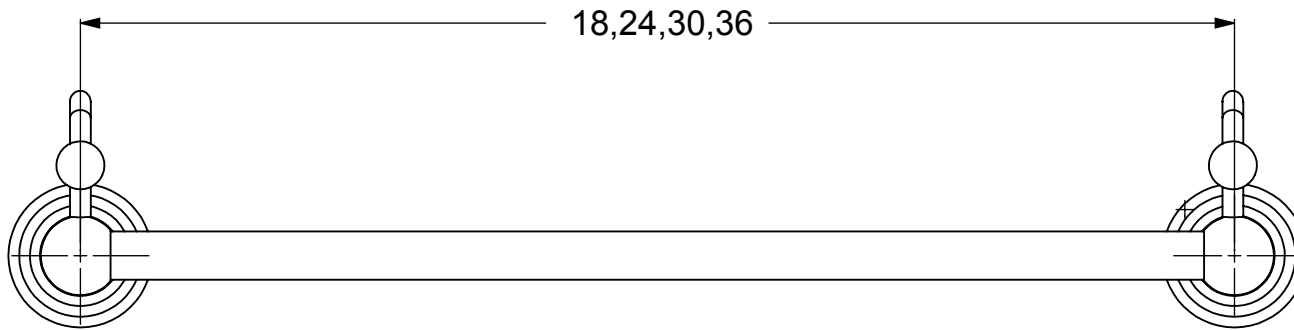
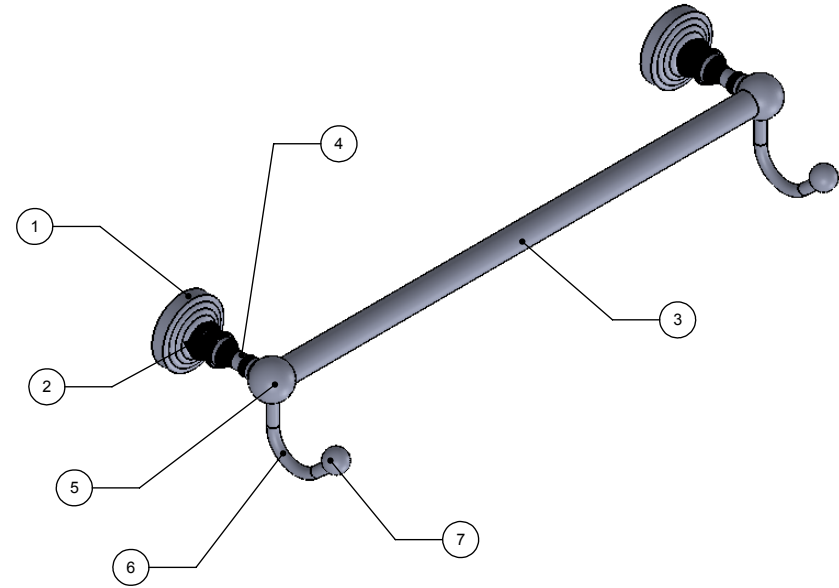


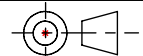
ITEM NO.	P/N	Description	QTY.
1	BPWV	BACKPLATE	2
2	NKSL-58	POST	2
3	TU12-18,24,30,36	TUBE	1
4	NKSL-1.25	SUPPORT	2
5	BL34ST-1.25	LOCK	2
6	HKHK	PIPE	2
7	BL1T-34	END BALL	2



UNLESS OTHERWISE STATED


.X	$\pm .3\text{mm}$
.XX	$\pm .15\text{mm}$
.XXX	$\pm .008\text{mm}$

COPYRIGHT © Allied Brass 2017



THIRD ANGLE PROJECTION

DRAWN	3/24/2017	I.M
CHECKED	3/24/2017	P.D
APPROVED	3/24/2017	R.A

MATERIAL: BRASS		FINISH	TBD
DESCRIPTION: Waverly Place Collection Towel Bar with Integrated Hooks		QUANTITY	TBD
		DRAWING No. WP-41HK	
		SCALE	1:3
			A4