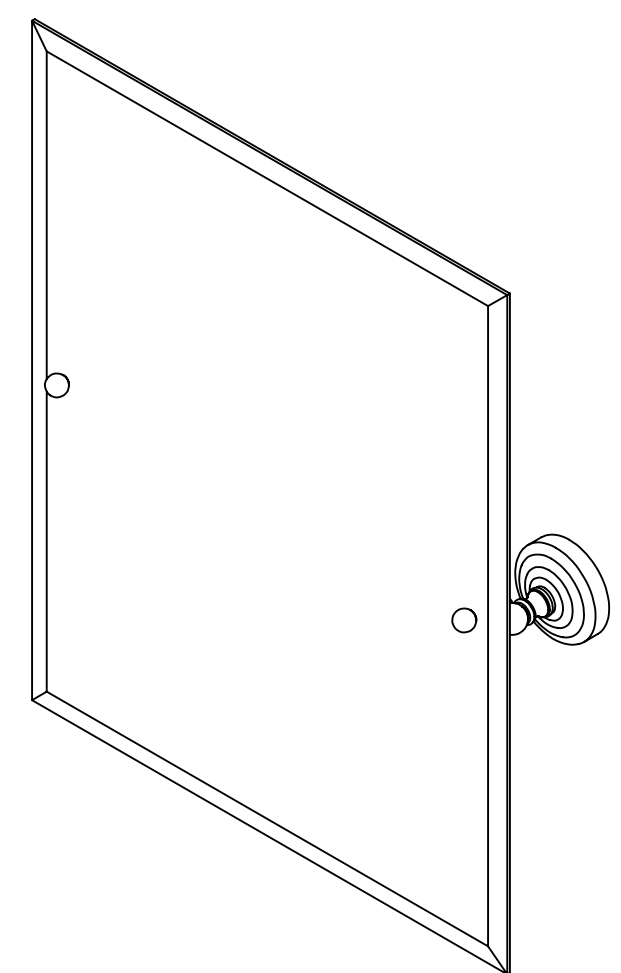
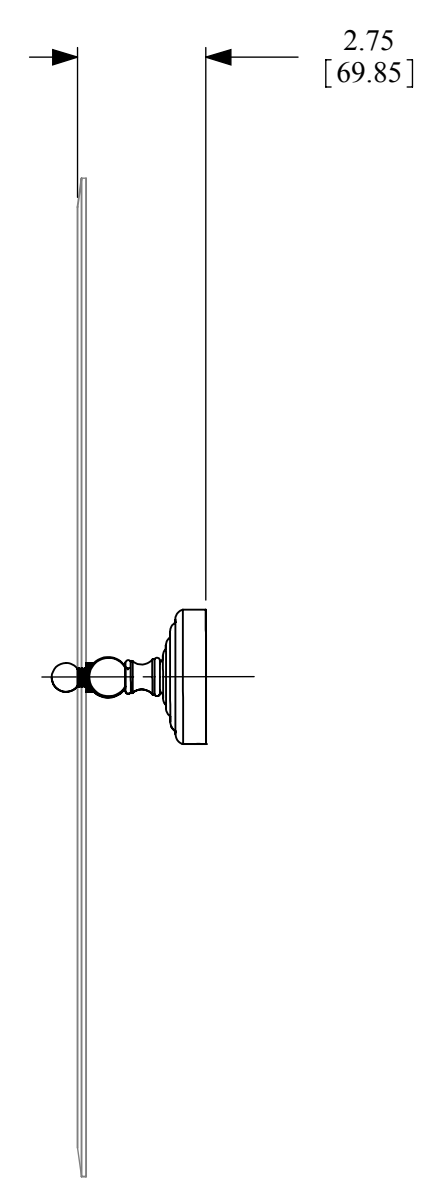
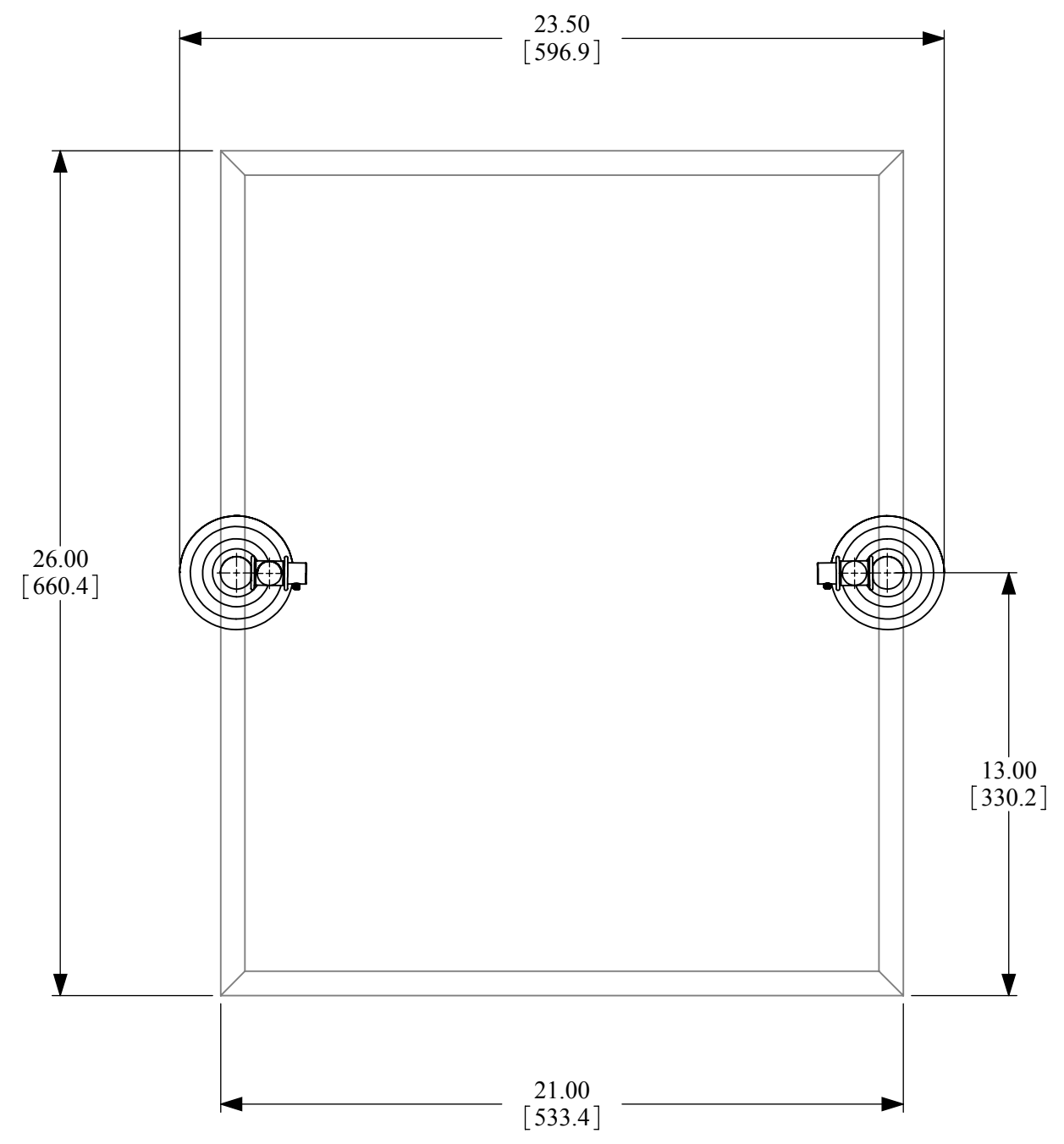



REV	CHANGES	LOC	BY	DATE
A				
B				

E
D
C
B
A



UNIT: INCH	MATERIAL: TBD		
<u>TOLERANCES</u> UNLESS OTHERWISE SPECIFIED ANGULAR ±1.0° DECIMAL .X ±.01 DECIMAL .XX ±.001 DECIMAL .XXX ±.0001 COMMERCIAL TOLERANCES SHALL APPLY ON BAR ROD, WIRE, SHEET, ETC.	FINISH: TBD		
	SCALE: 1:1.5	SHEET: 1 OF 1	PERMISSION OF ALLIED BRASS INCORPORATED.
	DRAWN BY: MAYORGA, IVAN	DATE: 11-04-10	PART NAME: WP-92 ASSEMBLY
	APPROVED BY: ANDRES, ROBERT	DATE: 11-04-10	PART NUMBER: 0000
			REV