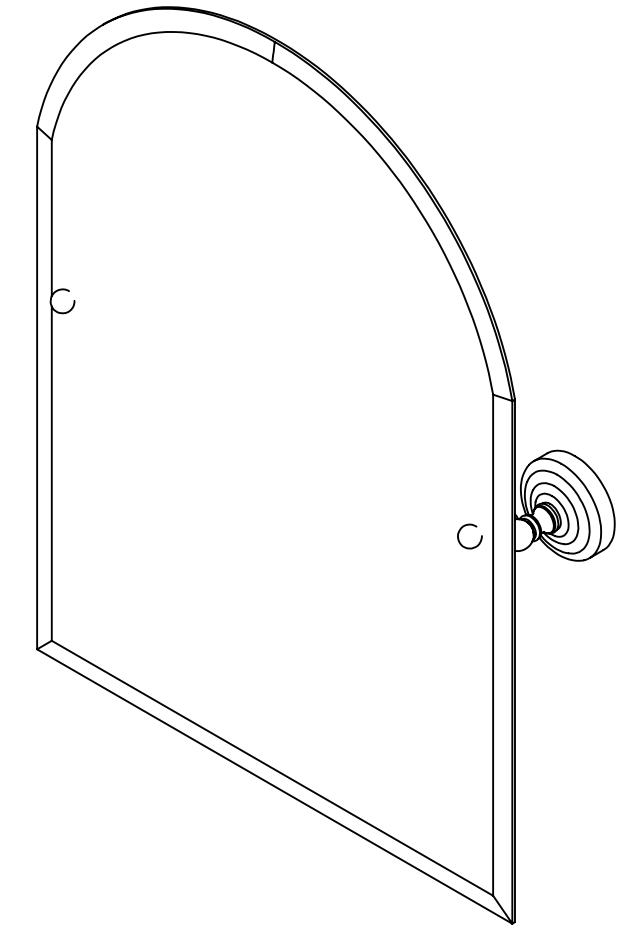
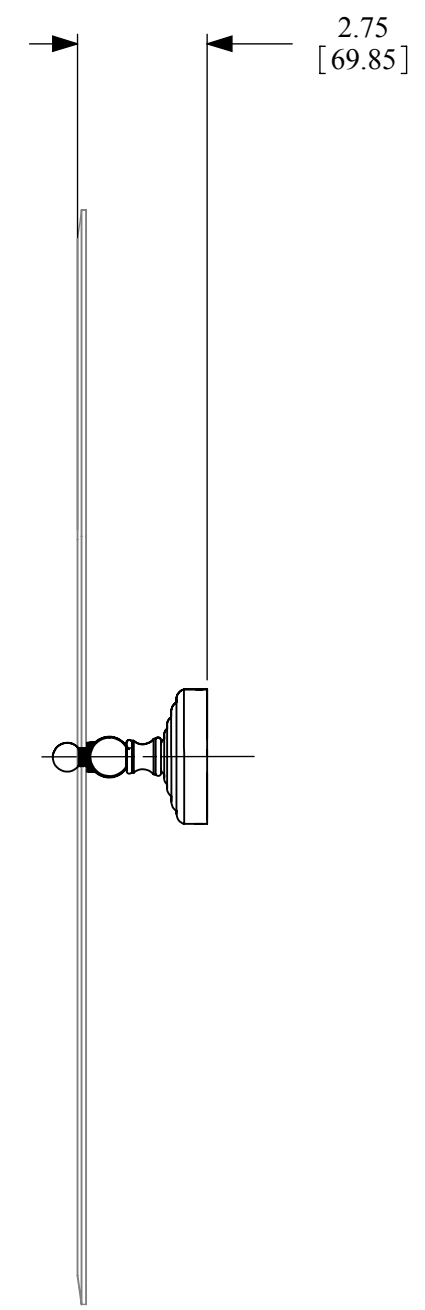
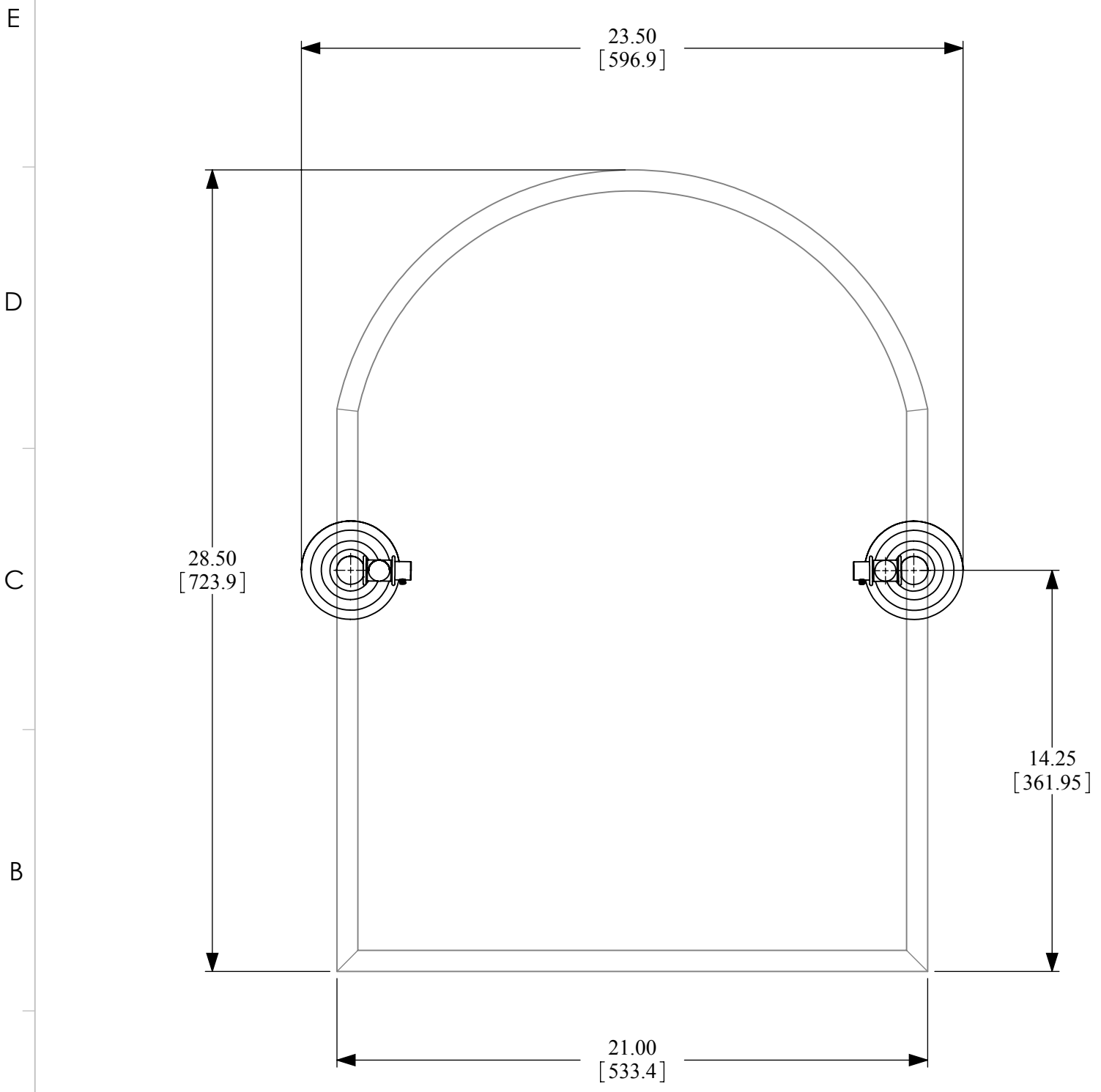



REV	CHANGES	LOC	BY	DATE
A				
B				



UNIT: INCH	MATERIAL: TBD		
<u>TOLERANCES</u> UNLESS OTHERWISE SPECIFIED ANGULAR ±1.0° DECIMAL .X ±.01 DECIMAL .XX ±.001 DECIMAL .XXX ±.0001 COMMERCIAL TOLERANCES SHALL APPLY ON BAR ROD, WIRE, SHEET, ETC.	FINISH: TBD		<small>THIS PRINT AND THE INFORMATION CONTAINED THEREIN ARE PROPERTY OF ALLIED BRASS, INC. ARE FURNISHED TO THE HOLDER IN CONFIDENCE AND ARE NOT TO BE REPRODUCED, USED, OR DISCLOSED TO OTHERS WITHOUT THE EXPRESS WRITTEN PERMISSION OF ALLIED BRASS INCORPORATED.</small>
SCALE: 1:1.5	SHEET: 1 OF 1	PART NAME: WP-94 ASSEMBLY	
DRAWN BY: MAYORGA, IVAN	DATE: 11-07-10	PART NUMBER: 0000	REV
APPROVED BY: ANDRES, ROBERT	DATE: 11-07-10		