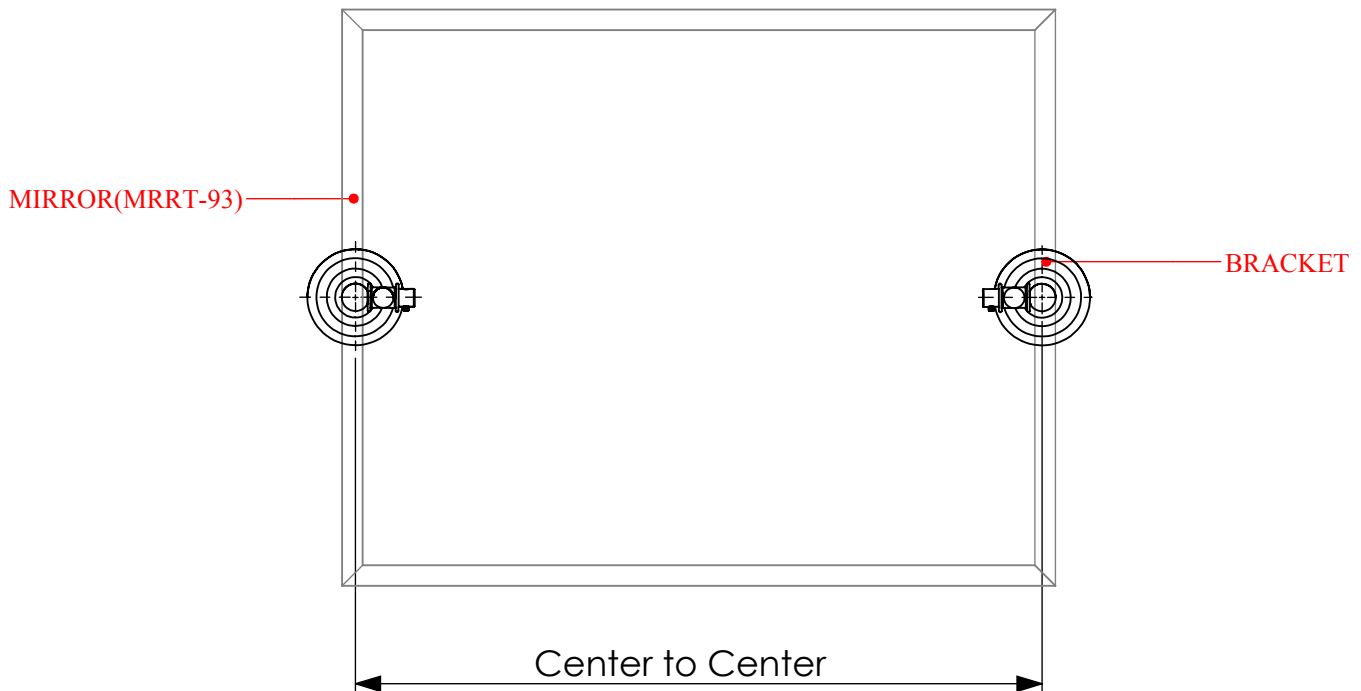


INSTALLATION INSTRUCTIONS

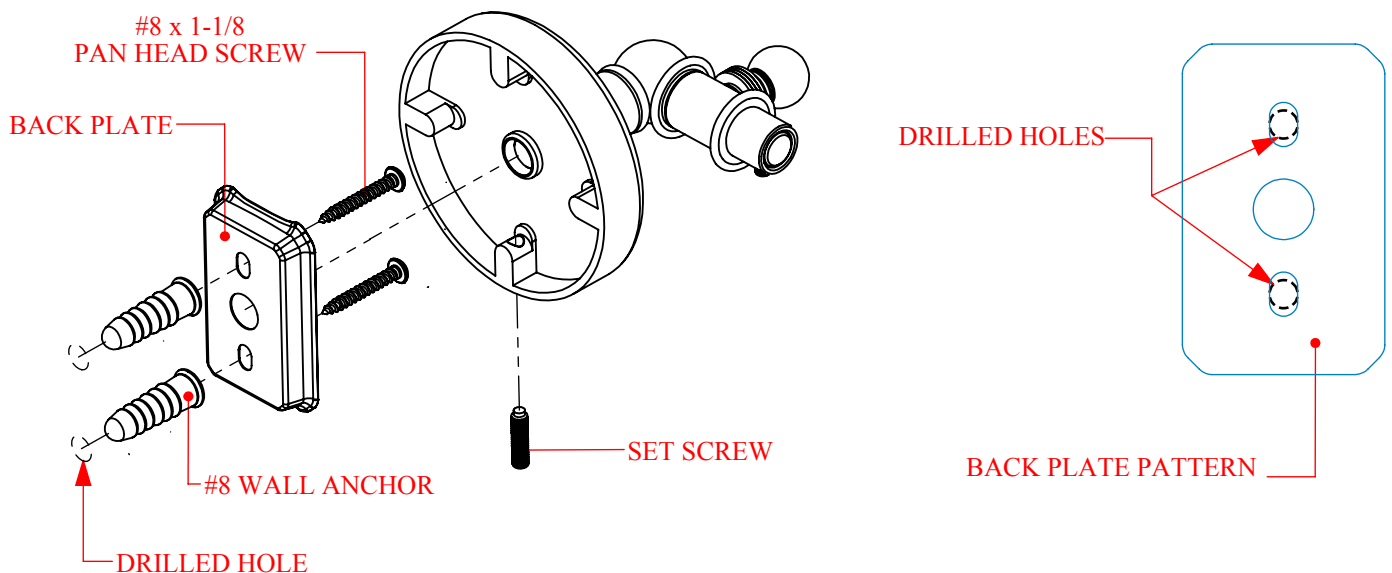
Step 1: Locating Center to Center Measurement

On a stable surface, attach the brackets to the mirror as shown. Once the brackets are securely attached measure the distance from the center of one bracket to the center of the opposite bracket and record this measurement. Determine your desired location for installation and make 2 marks for the location of the mounting brackets. Marks are to be made using the center to center distance determined above. Make certain that marks are level.



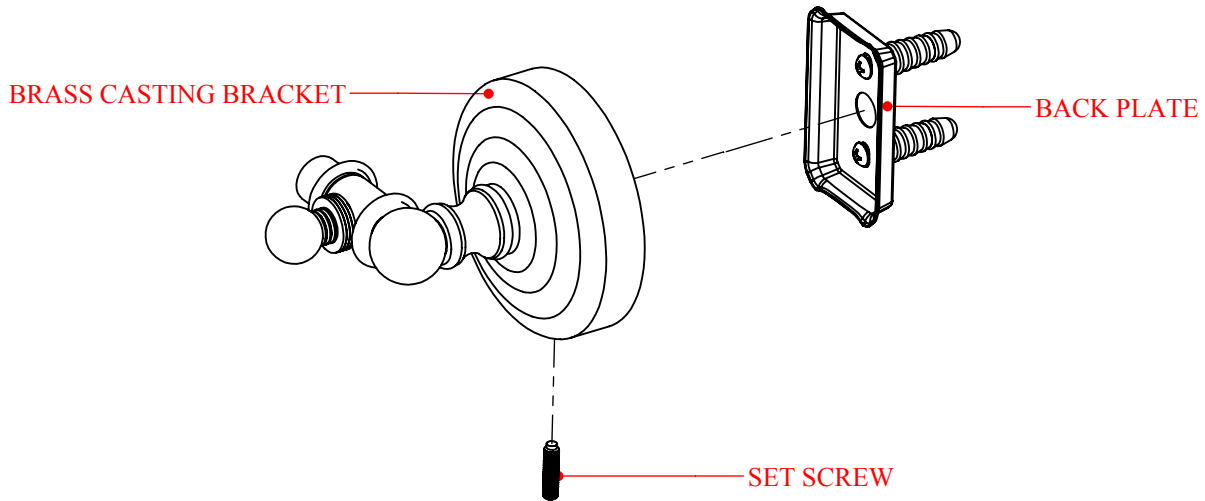
Step 2: Drill holes in Wall for screw anchors and attach Mounting Plates to Wall

Remove mounting plate from brackets by loosening set screw in backplate as pictured below. Place center hole of mounting plate over each mark made in step 1. Make 2 marks where mounting screws will be placed as shown below. Drill hole at each of the marks. (You may substitute other style mounting anchors or screws if desired. Must be designed to support the weight of the mirror). Place anchors into the holes made. Place mounting plate over holes and secure to mounting surface using screws as shown below.



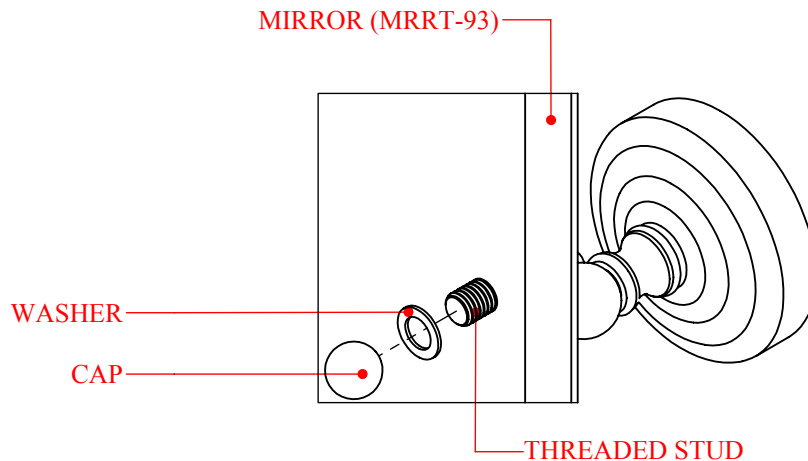
Step 3: Attach Brackets to Mounting Plates

Place brackets on mounting plates and secure by tightening set screw as shown below.



Step 4: Attach Mirror to Brackets

Remove cap from threaded stud in each bracket. Remove one washer from threaded stud and leave remaining washers on stud. Place mirror on brackets by inserting studs through the holes in each mirror. Place washer on stud and secure mirror to bracket with cap. (If more thread needs to be exposed you can remove some washers from stud prior to placing mirror on brackets).



Step 5: How to adjust tention of Tilt Mechanism

This step must be performed with the mirror glass removed from brackets. To increase or decrease the tension of the tilt on the mirror you must first loosen the set screw shown below. Once the set screw is loose please turn the tensioning lug in the direction required for either increasing or decreasing the tension. It is easiest to turn the lug by leaving the allen wrench in the set screw and using that as leverage to make the adjustment. Once the adjustment has been made please tighten set screw to secure position of tensioning lug.

