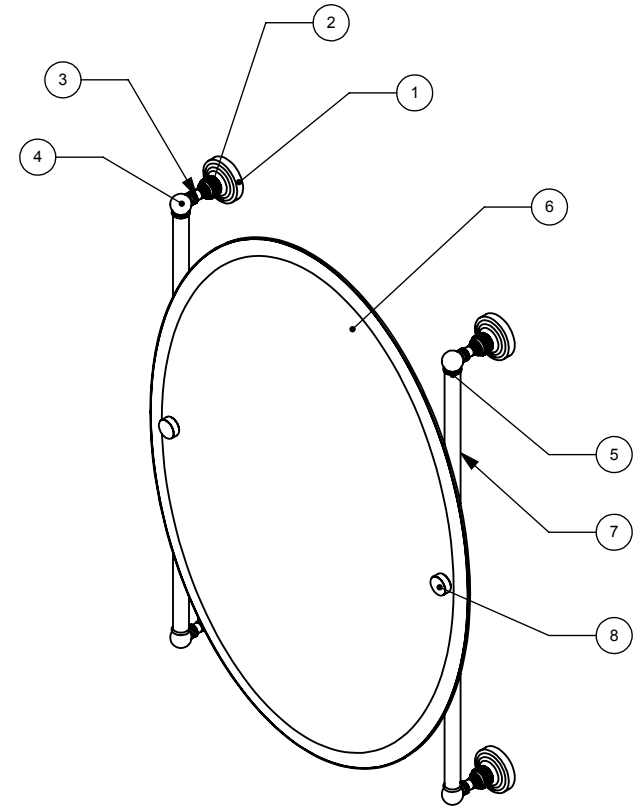
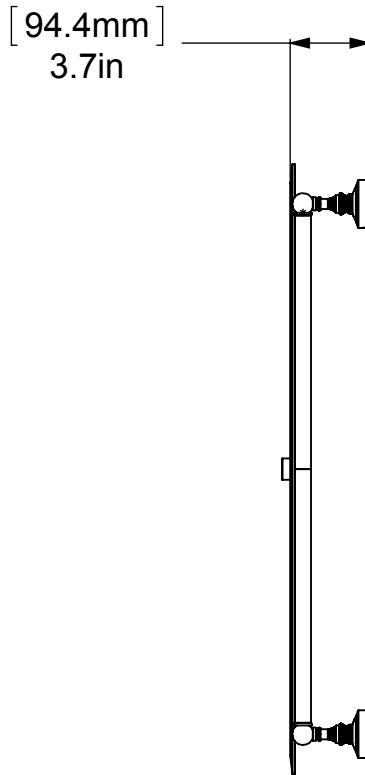
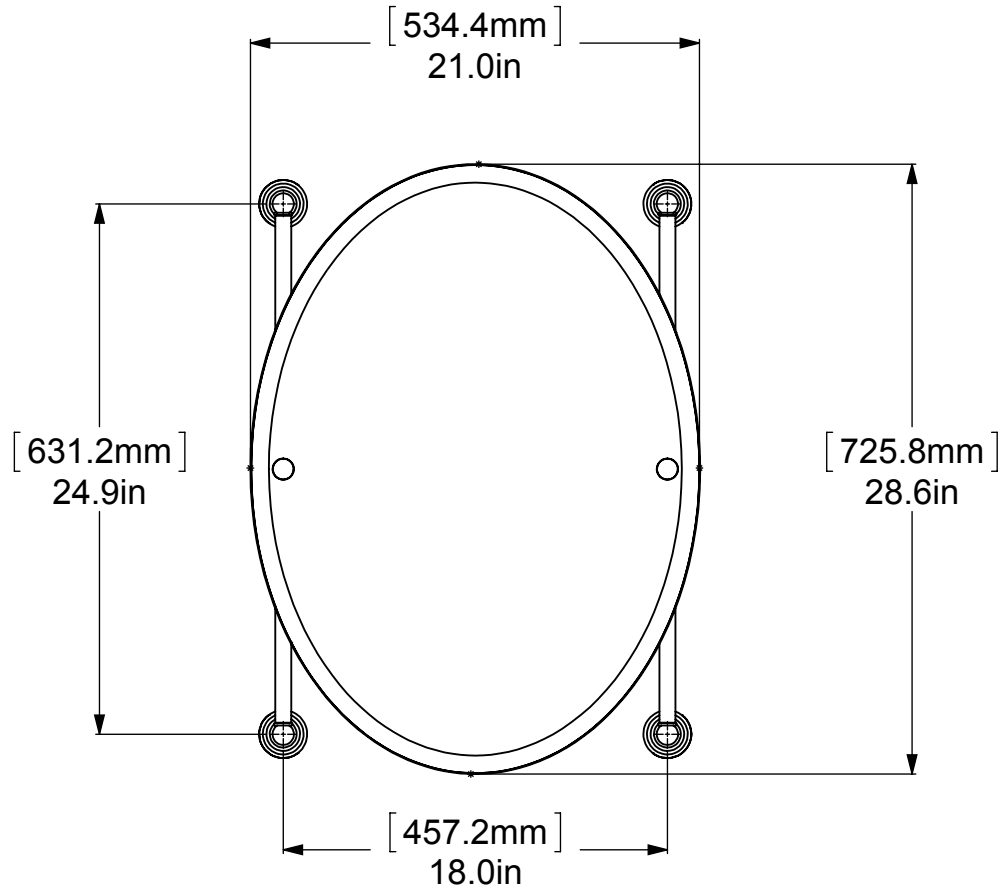


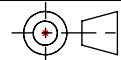
ITEM NO.	P/N	Description	QTY.
1	BPWV	BACKPLATE	4
2	NKSL-58	SUPPORT	4
3	NKSL-1.25	NECK	4
4	BL2T-1	HUB	4
5	CRRD-34	CHECK RING	4
6	MROV-91	MIRROR	1
7	TU34-24	TUBE	2
8	CARD-1	LOCK	2




UNLESS OTHERWISE STATED

.X	±.3mm
.XX	±.15mm
.XXX	±.008mm

COPYRIGHT © Allied Brass 2016



THIRD ANGLE PROJECTION

DRAWN	4/2/2017	I.M	MATERIAL:	BRASS	FINISH	TBD
CHECKED	4/2/2017	P.D	DESCRIPTION:	Waverly Place Collection Oval Frameless Rail Mounted Mirror	QUANTITY	TBD
APPROVED	4/2/2017	R.A			DRAWING No.	REV
					WP-27-91	0
				SCALE	1:9	SHEET: 01 A4