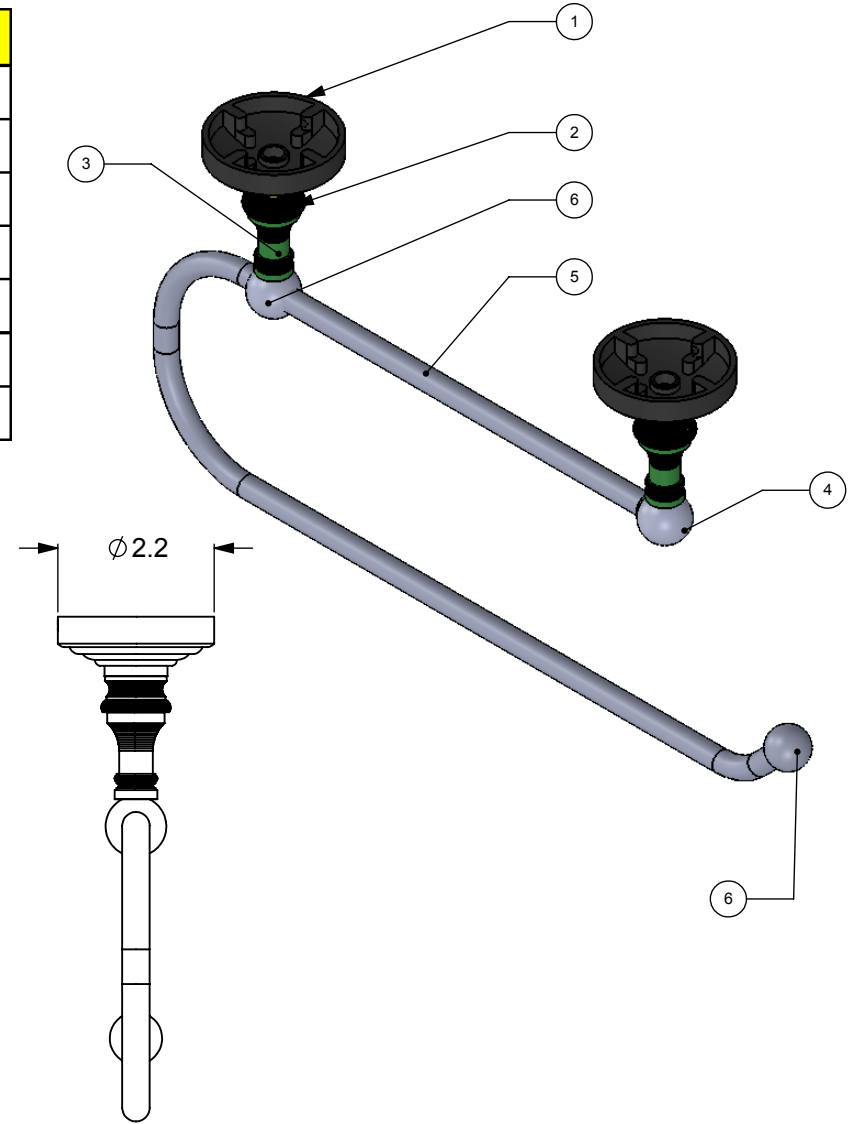
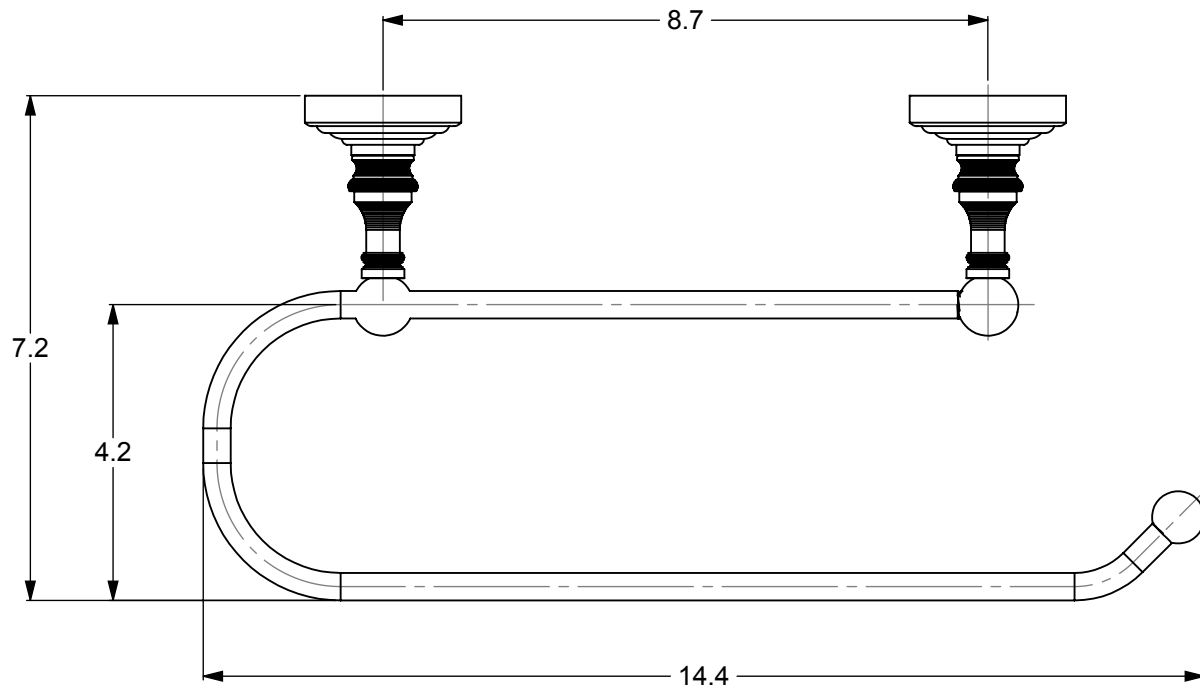


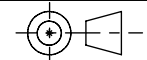
ITEM NO.	PART NUMBER	DESCRIPTION	QTY.
1	BPWW	BASE	2
2	NKSL-58	Support	2
3	NKSL-1.25	BALL 1"	2
4	BL2T-1	END BALL SUPPORT	1
5	HKPAPTS	HOOK	1
6	BL1T-34	End Ball	1
7	BL1T2S-1	BALL SUPPORT-SLIP	1



UNLESS OTHERWISE STATED

.X	±.3mm
.XX	±.15mm
.XXX	±.008mm

COPYRIGHT © Allied Brass 2016



THIRD ANGLE PROJECTION

DRAWN	4/6/2016	I.M
CHECKED	4/6/2016	P.D
APPROVED	4/6/2016	R.A

MATERIAL: BRASS

DESCRIPTION:

Under Cabinet  
Paper Towel Holder



UNIT IS INCHES.

FINISH	TBD
QUANTITY	TBD
DRAWING No.	REV
WP-25EC	0
SCALE	1:2.75
SHEET: 01	A4