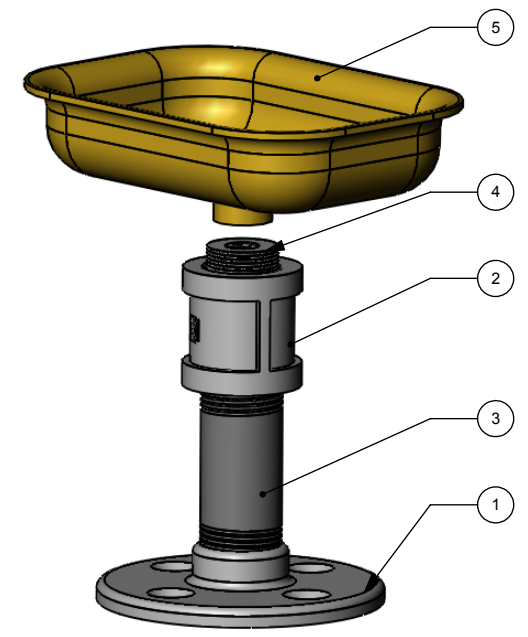
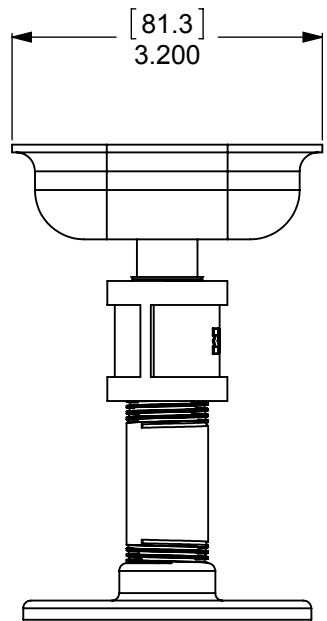
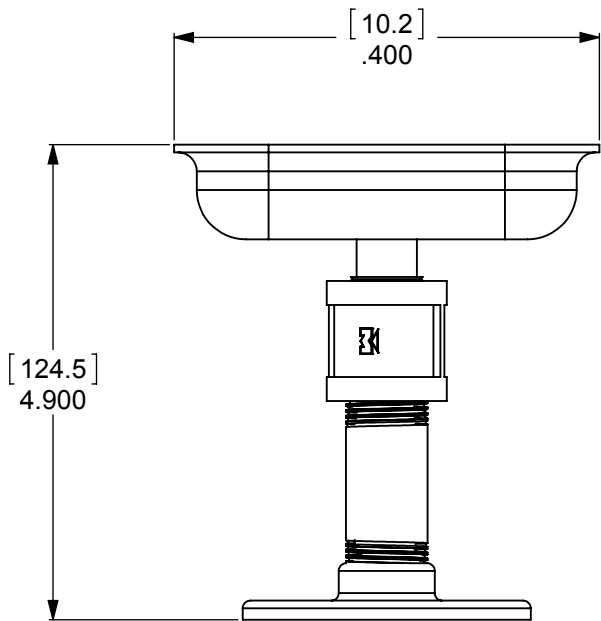


ITEM NO.	PART NUMBER	DESCRIPTION	QTY.
1	PIPE-FL12-3	1/2" FLANGE	1
2	PIPE-CU-12	1/2" CUPLING	1
3	PIPE-NIP12-3	1/2" 3" NIP	1
4	BUS-12X18	1/2" BUSHING	1
5	HRRTS	SOAP DISH TRAY	1



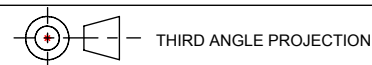
APPROVED FOR PRODUCTION

BY: RICHARD PAUL
DATE: 06/03/2017

UNLESS OTHERWISE STATED

.X	±.3mm
.XX	±.15mm
.XXX	±.008mm

COPYRIGHT © Allied Brass 2017



DRAWN	6/1/2017	I.M
CHECKED	6/1/2017	P.D
APPROVED	6/1/2017	R.A

MATERIAL:	BRASS
DESCRIPTION:	Pipeline Collection Vanity Top Soap Dish

FINISH	TBD
QUANTITY	TBD
DRAWING No.	P-620-FSD
REV	0
SCALE	1:2
SHEET: 01	A4