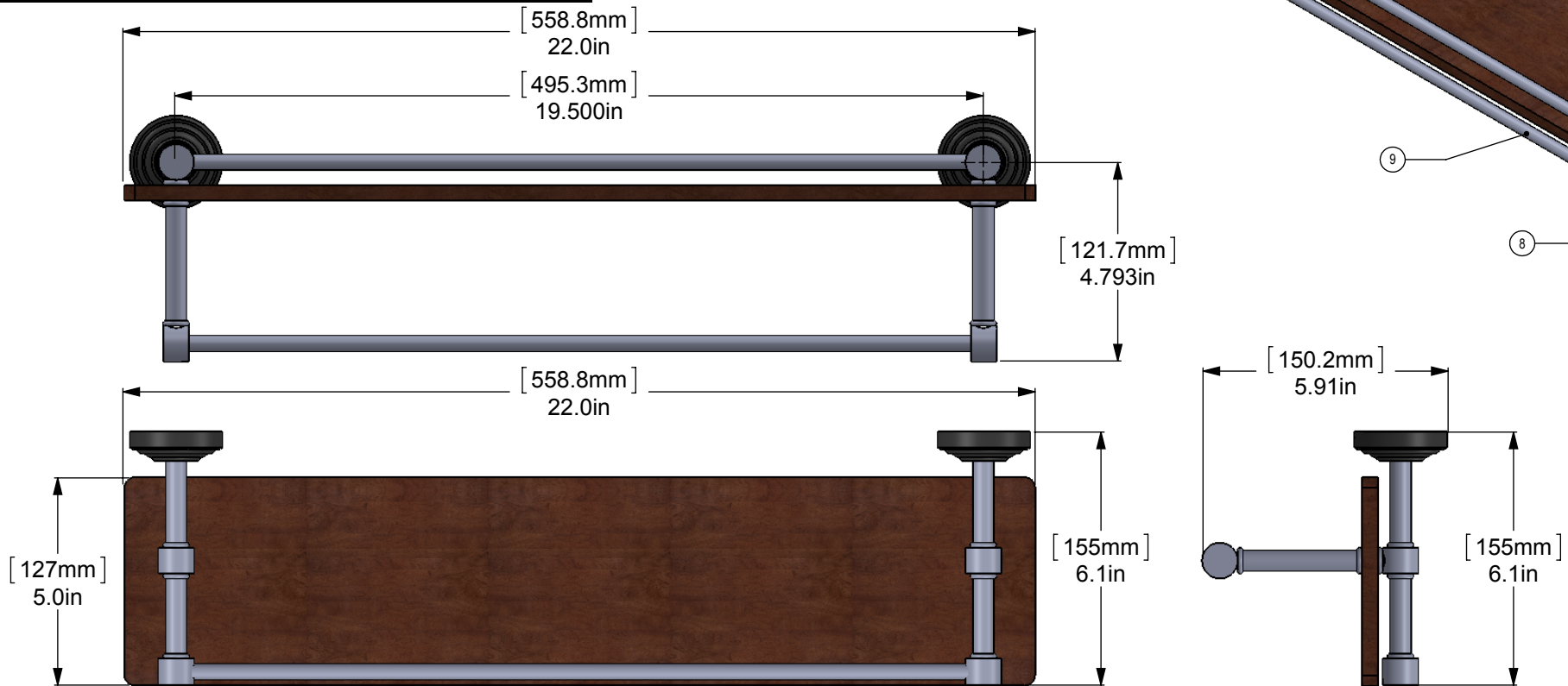
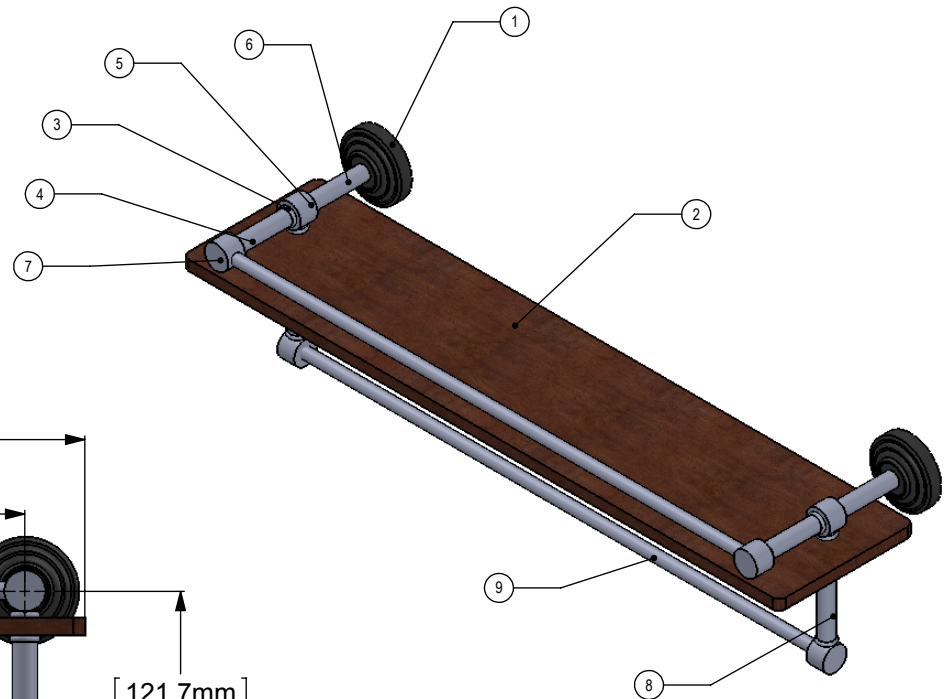


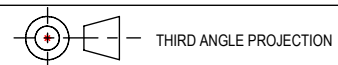
| ITEM NO. | PART NUMBER  | DESCRIPTION     | QTY. |
|----------|--------------|-----------------|------|
| 1        | BPWV         | Back Plate      | 2    |
| 2        | IRWRT-22     | IPE SHELF       | 1    |
| 3        | CRRD-12      | Connector       | 10   |
| 4        | TU12-1.8     | Tube-12, L=1.8  | 2    |
| 5        | MR-TILT-FITT | HUB-CON         | 2    |
| 6        | TU12-2       | Tube-12, L=2    | 2    |
| 7        | HBT TT-78    | Hub             | 4    |
| 8        | TU12-3       | Tube-12, L=3    | 2    |
| 9        | TU38-19.5    | TUBE -38,L=19.5 | 2    |



UNLESS OTHERWISE STATED

|      |         |
|------|---------|
| .X   | ±.3mm   |
| .XX  | ±.15mm  |
| .XXX | ±.008mm |

COPYRIGHT © Allied Brass 2017



|          |          |     |
|----------|----------|-----|
| DRAWN    | 5/5/2017 | I.M |
| CHECKED  | 5/5/2017 | P.D |
| APPROVED | 5/5/2017 | R.A |

MATERIAL: BRASS  
 DESCRIPTION: Waverly Place Collection IPE Ironwood Shelf with Gallery Rail and Towel Bar



|                   |     |
|-------------------|-----|
| FINISH            | TBD |
| QUANTITY          | TBD |
| DRAWING No.       | REV |
| WP-1-22TB-GAL-IRW | 0   |
| SCALE             | 1:4 |
| SHEET: 01         | A4  |