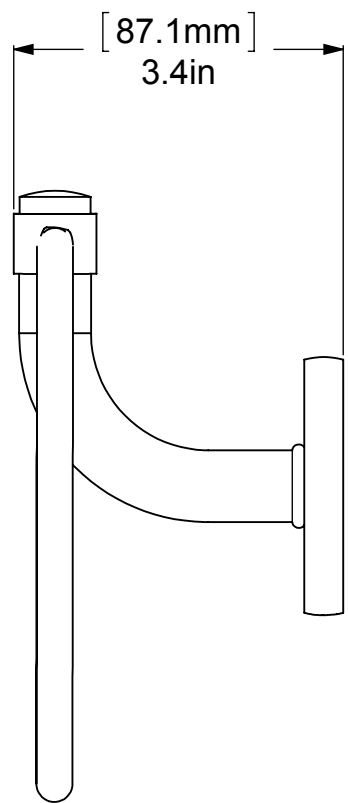
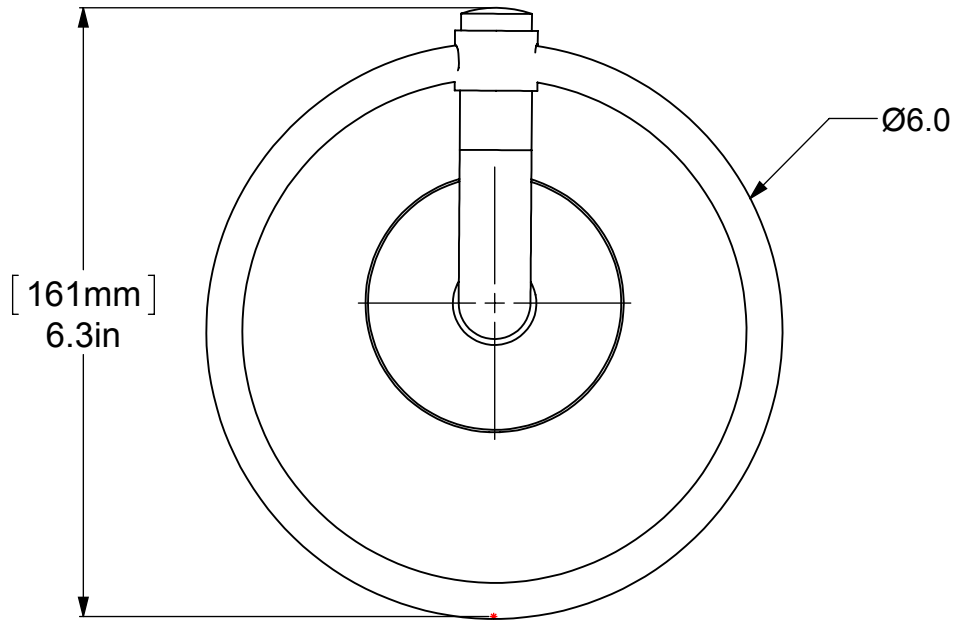
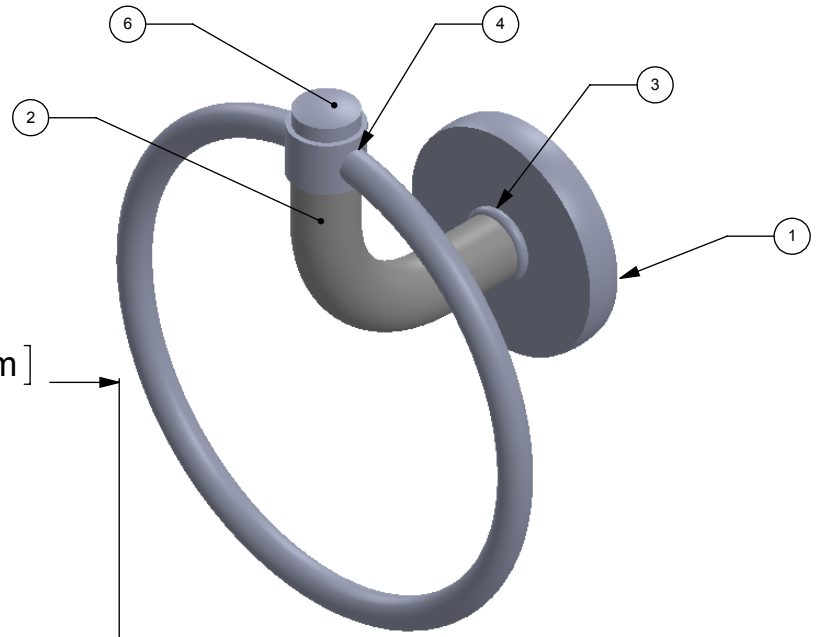


ITEM NO.	P/N	DESCRIPTION	QTY.
1	BPRD	BACKPLATE	1
2	SWELB-3	TUBE	1
3	CRRD-34	CHECK RING 0.75	1
4	HBGAL-FITT	HUB	1
5	TRMT-6	RING	1
6	CARD-34	END CAP	1

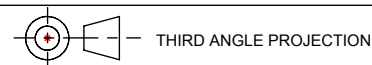


APPROVED FOR PRODUCTION
 BY: RICHARD PAUL
 DATE: 1/21/2017

UNLESS OTHERWISE STATED

.X	±.3mm
.XX	±.15mm
.XXX	±.008mm

COPYRIGHT © Allied Brass 2016



DRAWN	1/21/2017	I.M
CHECKED	1/21/2017	P.D
APPROVED	1/21/2017	R.A

MATERIAL:	BRASS
DESCRIPTION:	TOWEL RING



FINISH	TBD
QUANTITY	TBD
DRAWING No.	RM-16
REV	0
SCALE	1:2
SHEET: 01	A4