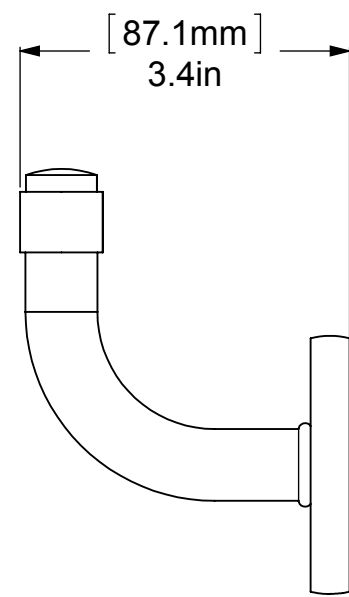
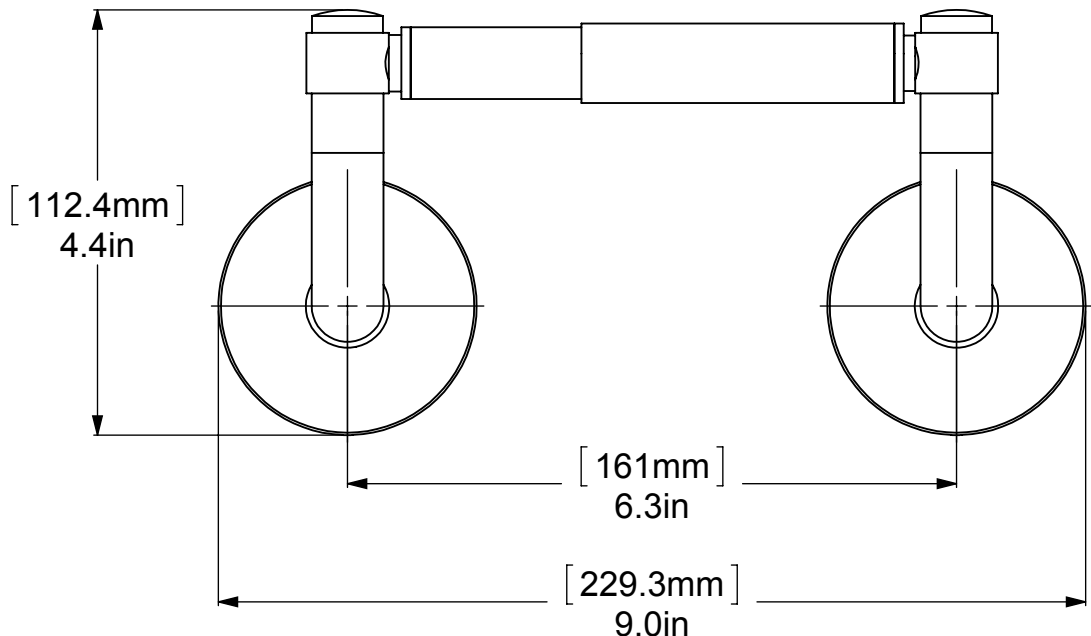
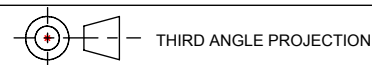


ITEM NO.	P/N	DESCRIPTION	QTY.
1	BPRD	BACKPLATE	2
2	SWELB-3	TUBE	2
3	CRRD-34	CHECK RING	2
4	MR-TILT-FITT	HUB	2
5	RLB-SET	ROLLER SET	1
6	CARD-34	END CAP	2



UNLESS OTHERWISE STATED	
.X	±.3mm
.XX	±.15mm
.XXX	±.008mm

COPYRIGHT © Allied Brass 2016



DRAWN	1/25/2017	I.M
CHECKED	1/25/2017	P.D
APPROVED	1/25/2017	R.A

MATERIAL:	BRASS
DESCRIPTION:	TISSUE HOLDER



APPROVED FOR PRODUCTION
 BY: RICHARD PAUL
 DATE: 1/24/2017

FINISH	TBD
QUANTITY	TBD
DRAWING No.	REV
RM-24	0
SCALE	1:2
SHEET: 01	A4