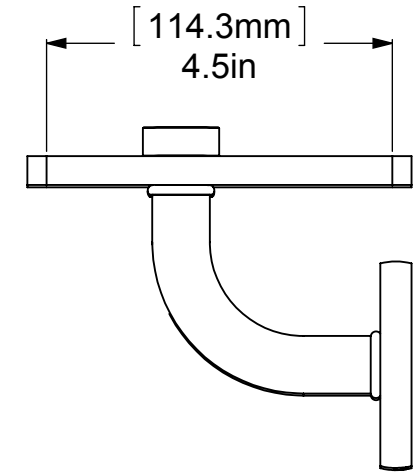
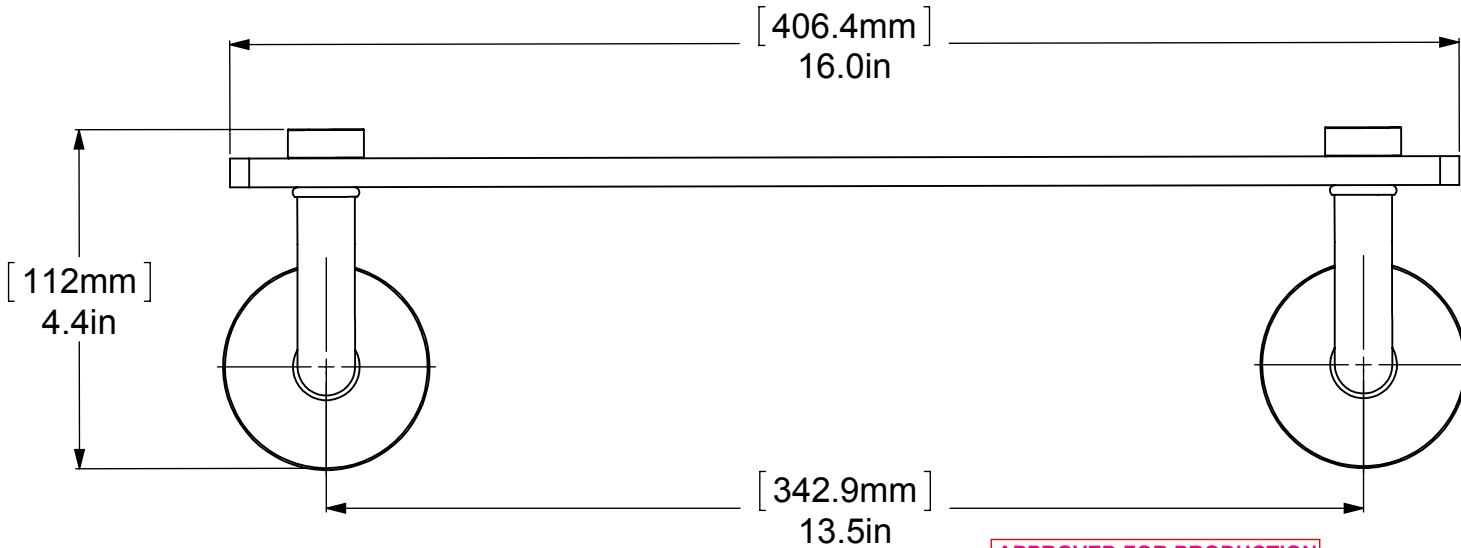


ITEM NO.	P/N	DESCRIPTION	QTY.
1	BPRD	BACKPLATE	2
2	SWELB-3	TUBE	2
3	CRRD-34	CHECK RING	4
4	GLRT-16	GLASS	1
5	CARD-1	END LOCK	2



NOTE:
UNIT IS MM.

APPROVED FOR PRODUCTION
BY: RICHARD PAUL
DATE: 1/24/2017

UNLESS OTHERWISE STATED	
.X	±.3mm
.XX	±.15mm
.XXX	±.008mm

COPYRIGHT © Allied Brass 2016



DRAWN	1/24/2017	I.M	MATERIAL:	BRASS		FINISH	TBD
CHECKED	1/24/2017	P.D	DESCRIPTION:	SHELF		QUANTITY	TBD
APPROVED	1/24/2017	R.A	DRAWING No.			RM-1-16	REV
SCALE		1:2.5	SHEET: 01		A4		