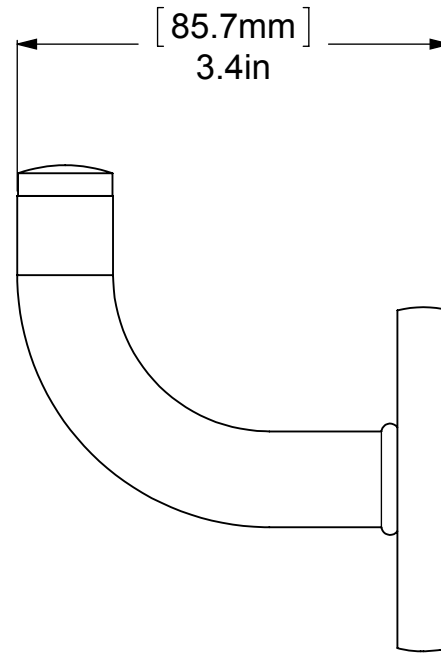
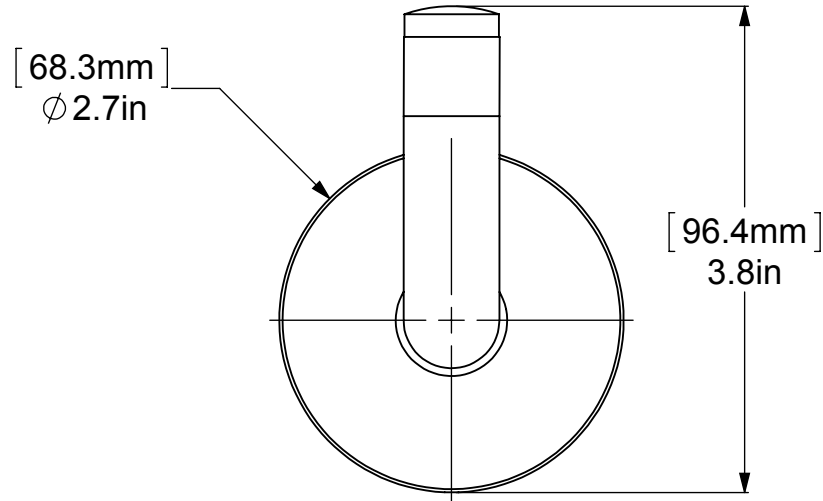
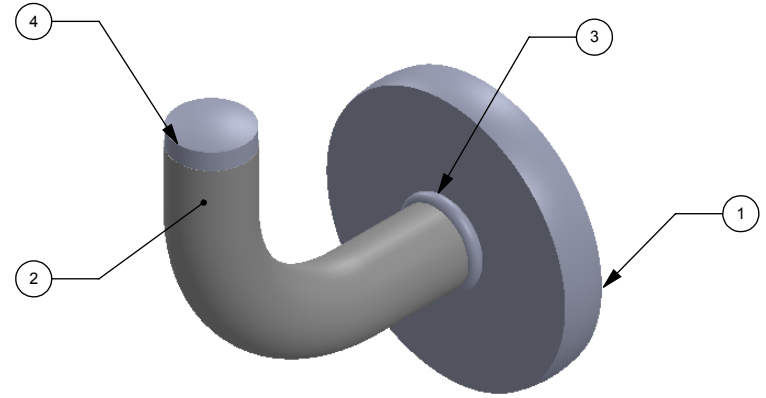


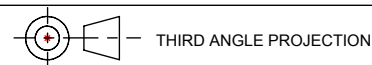
ITEM NO.	P/N	DESCRIPTION	QTY.
1	BPRD	BACKPLATE	1
2	SWELB-3	TUBE	1
3	CRRD-34	CHECK RING 0.75	1
4	CARD-34	END CAP	1




APPROVED FOR PRODUCTION
 BY: RICHARD PAUL
 DATE: 1/21/2017

UNLESS OTHERWISE STATED	
.X	± .3mm
.XX	± .15mm
.XXX	± .008mm

COPYRIGHT © Allied Brass 2016



DRAWN	1/21/2017	I.M	MATERIAL:	BRASS	FINISH	TBD
CHECKED	1/21/2017	P.D	DESCRIPTION:		QUANTITY	TBD
APPROVED	1/21/2017	R.A	ROBE HOOK		DRAWING No.	REV
					RM-20	0
				SCALE	1:1.5	SHEET: 01 A4