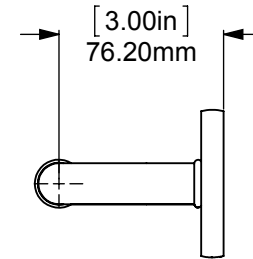
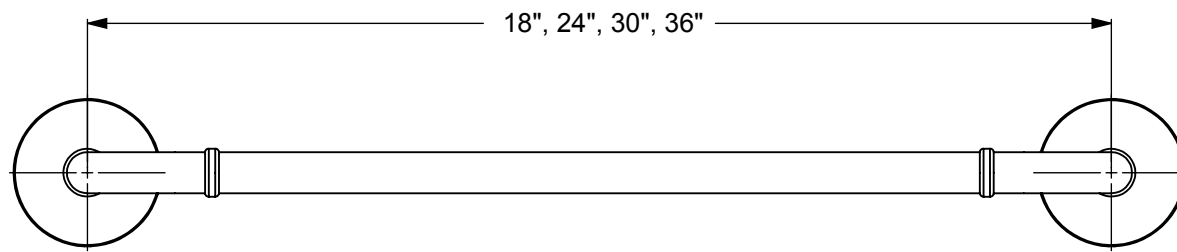
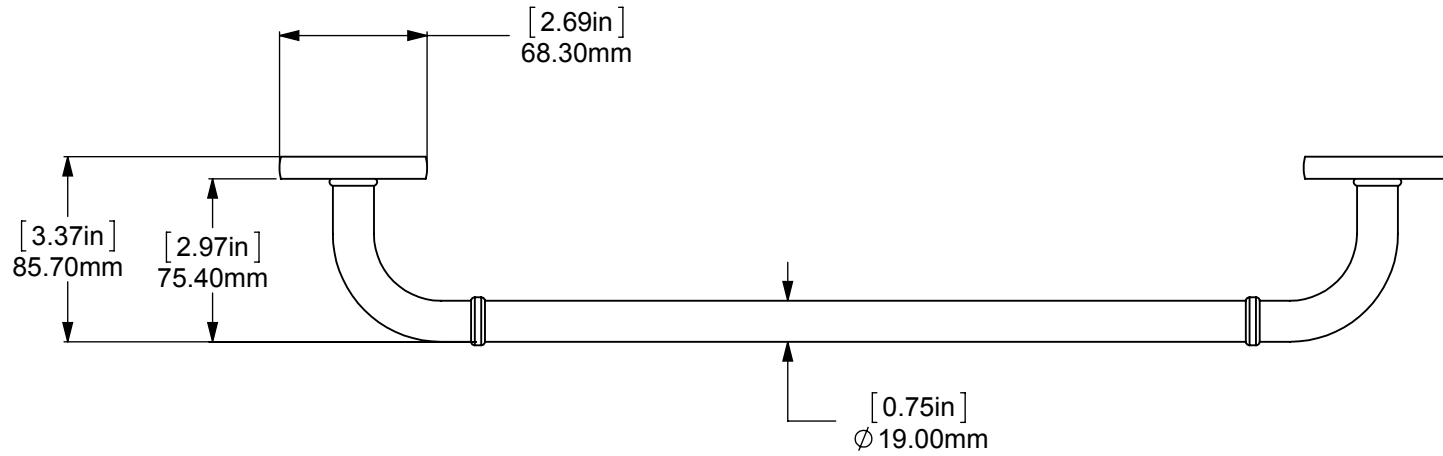
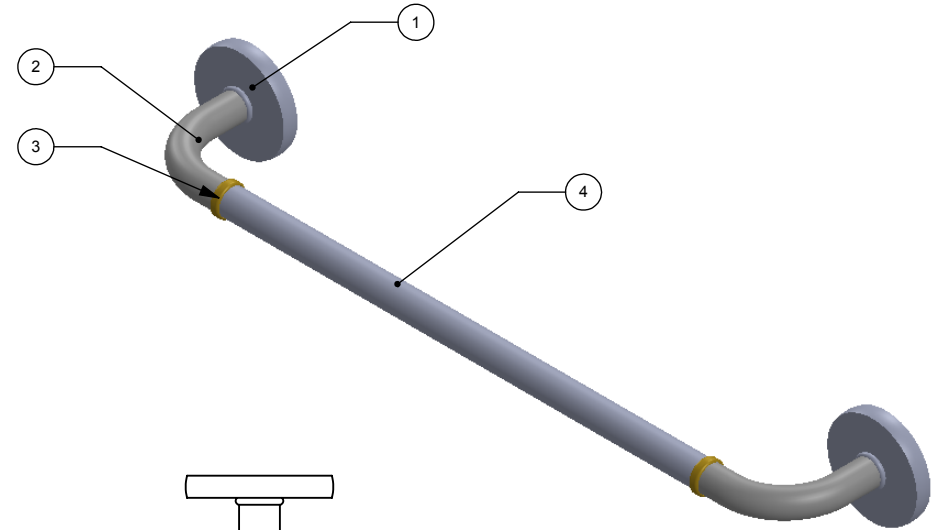


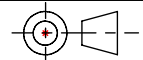
ITEM NO.	P/N	DESCRIPTION	QTY.
1	BPRD	BACKPLATE	2
2	SWELB-3	BENT TUBE BRACKET	2
3	CRRD2-34	DOUBLE SIDED CHECK RING	2
4	TU34 TUBE	TUBE	1
5	CRRD-34	CHECK RING	2



UNLESS OTHERWISE STATED

.X	±.3mm
.XX	±.15mm
.XXX	±.008mm

COPYRIGHT © Allied Brass 2016



THIRD ANGLE PROJECTION

DRAWN	3/22/2017	I.M	MATERIAL:	BRASS		FINISH	TBD
CHECKED	3/22/2017	P.D	DESCRIPTION:	REMI TOWEL BAR ASSY		QUANTITY	TBD
APPROVED	3/22/2017	R.A			DRAWING No.		REV
					RM-41		0
			SCALE	1:3.5	SHEET: 01	A4	

APPROVED FOR PRODUCTION

BY: RICHARD PAUL
DATE: 1/21/2016