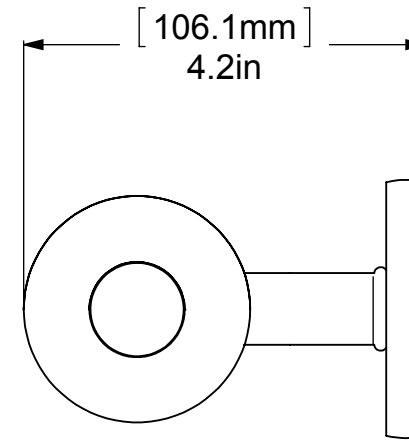
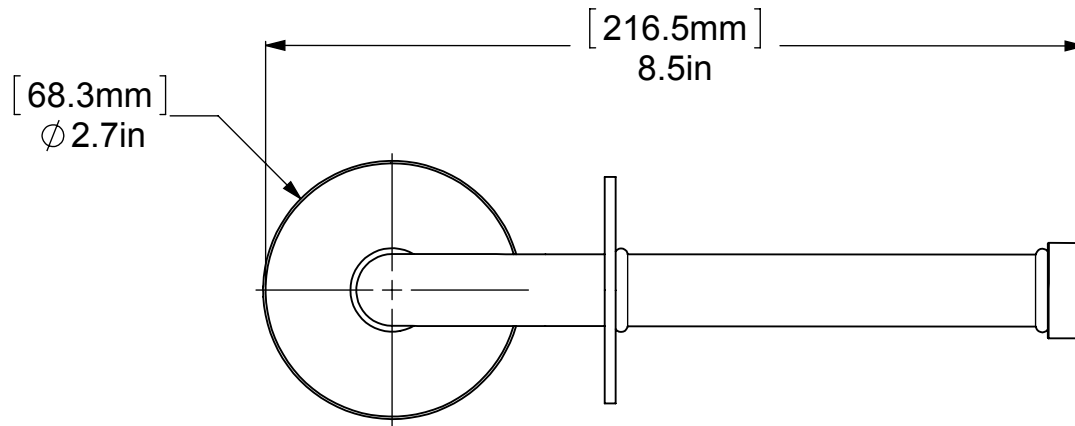
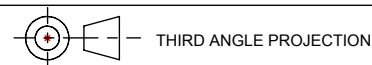


ITEM NO.	P/N	DESCRIPTION	QTY.
1	BPRD	BACKPLATE	1
2	SWELB-3	TUBE	1
3	CARD-1	END LOCK	1
4	CRRD-34	CHECK RING	3
5	DSFL-2.375	DISC	1
6	TU34-4.5	TUBE	1



UNLESS OTHERWISE STATED	
.X	±.3mm
.XX	±.15mm
.XXX	±.008mm

COPYRIGHT © Allied Brass 2016



DRAWN	1/25/2017	I.M
CHECKED	1/25/2017	P.D
APPROVED	1/25/2017	R.A

MATERIAL:	BRASS
DESCRIPTION:	TISSUE HOLDER



APPROVED FOR PRODUCTION
 BY: RICHARD PAUL
 DATE: 1/24/2017

FINISH	TBD
QUANTITY	TBD
DRAWING No.	REV
RM-24E	0
SCALE	1:2
SHEET: 01	A4