

Instruction Manual

WINE RACK FLOOR LAMP

Questions?

E-mail our customer service department at customerservice@alltherages.com

IMPORTANT SAFETY INSTRUCTIONS:

This portable lamp has a polarized plug (one blade is wider than the other). As a safety feature to reduce the risk of electrical shock and fire, this plug will fit in a polarized outlet only one way. If the plug does not fit fully in the outlet, reverse the plug. If it still does not fit, contact a qualified electrician. Never use with an extension cord unless the plug can be fully inserted. Do not alter this safety feature.

This lamp is for indoor use only. The lamp should not be used near water. Never immerse the lamp in water or other liquids. Never cover the lamp with any object including cloth or paper as this is a fire hazard. Do not handle the bulb immediately after the light is turned off as it will be hot. This is not a toy.



Preparation

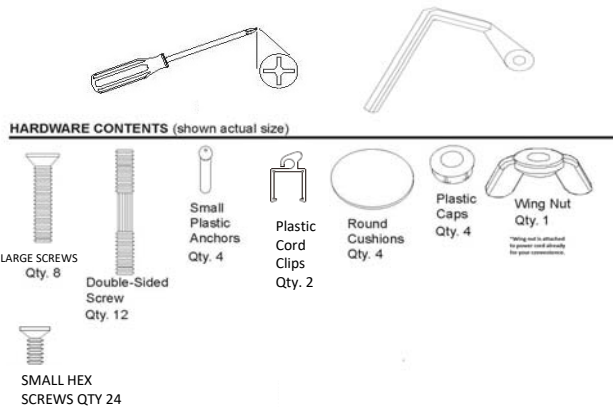
Before beginning assembly of product, make sure all parts are present. Compare parts with package contents list and diagram. If any part is missing or damaged, do not attempt to assemble product. Contact customer service for replacement parts.

Estimated Assembly Time: 30 minutes Recommended 2 person assembly.

Tools required for Assembly: Phillips Head Screwdriver (not included)
Allen Key (for hex bolts) Included

CONTENTS

| DESCRIPTION | QUANTITY |
|-----------------------------------|----------|
| Bottom board | 1 |
| Shelf Board | 1 |
| Wine Bottle Holders | 2 |
| Wine Glass Holder | 1 |
| Long Poles | 12 |
| Short Poles | 4 |
| Top Shade Frame | 1 |
| Lamp Socket Board | 1 |
| Decorative Shade Cover | 4 |
| Small Hex Screws | 24 |
| Large Screws | 8 |
| Double Sided Screws | 12 |
| Small Plastic Anchors (for shade) | 4 |
| Plastic Cord Clips | 2 |
| Round Cushions | 4 |
| Plastic Caps | 4 |
| Allen Key (for Hex Screws) | 1 |
| Shade | 1 |



Requires 1 x 100 Watt Type A Medium Base Bulb (not included)

ASSEMBLY INSTRUCTIONS:

Step 1: Holding bottom board upside-down, insert four long screws through the holes in the four corners and tighten into four long poles so that the screw-heads are recessed into the bottom board. Place round cushions to cover the four holes. Turn this completed section right-side-up. Screw four double-sided screws into top of the four long poles. Place first shelfboard onto four protruding double-sided screws. Screw four long poles onto the protruding double-sided screws.

Step 2: Place the wine bottle holders in between the bottom board and shelf board and make sure they line up with the pre drilled holes, use 8 small hex screws (top and bottom) to secure the wine bottle holders to the boards.

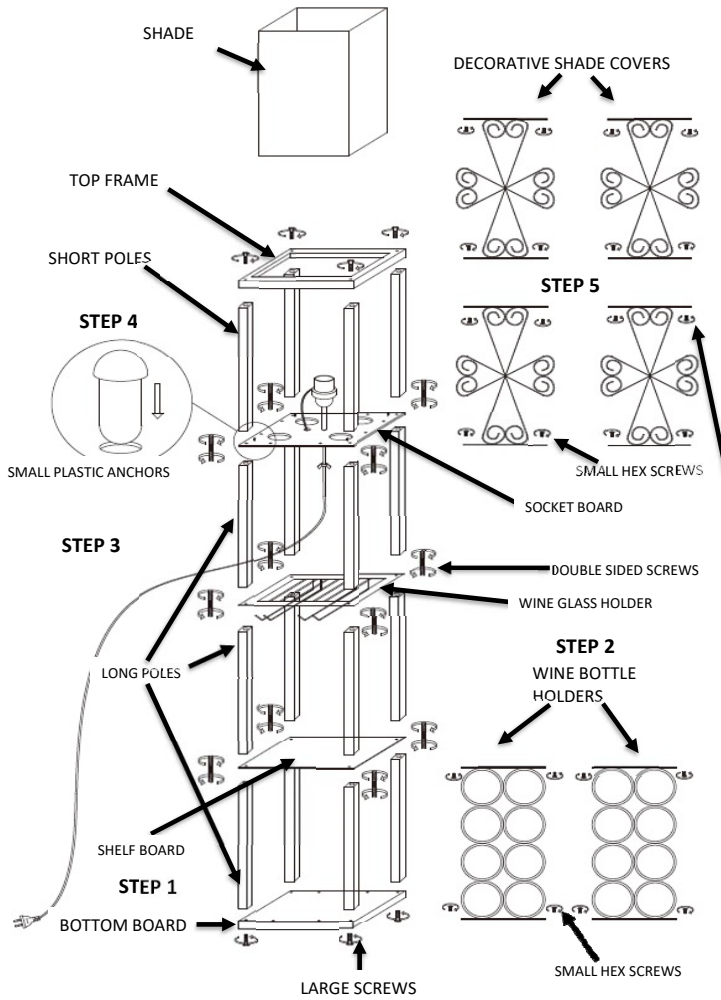
Step 3: Screw four double-sided screws into top of the four long poles. Place wine glass holder onto four protruding double-sided screws. Screw four long poles onto the protruding double-sided screws.

Step 4: Screw four double-sided screws on top of the four long poles. Place lampholder board onto four protruding double-sided screws. Attach the socket to the socket board by inserting the base screw of the socket through the socket board and securing it with the wing nut on the cord. Screw four short poles onto the protruding double-sided screws. Place top frame onto the four poles and then insert four large screws through holes in the four corners and tighten into four short poles so that the screw-heads are recessed into the top frame. Place small plastic caps into recessed holes in the four corners.

Step 5: Place the decorative shade covers in between the socket board and top frame. Make sure they line up with the pre drilled holes, use 16 small hex screws (top and bottom) to secure decorative shade covers to the socket board and top shade frame. Insert the four small plastic anchors into the small holes near the corners of the socket board. Unfold fabric shade and place through the top frame down onto the socket board keeping the shade to the outside of the four small plastic anchors. Use plastic cord clips to secure the electric cord to the poles along the side. See diagram below.



Plastic Cord Clips



CLEANING & MAINTENANCE:

1. Unplug the fixture before cleaning.
2. Use a clean, dry, soft, lint-free cloth.
3. Do not use water or other chemical cleaning agents.

LIMITED WARRANTY

All the Rages Inc, a New Jersey corporation, having its principal place of business at 355 Eisenhower Parkway Livingston, NJ 07039 (All the Rages) warrants its products (the "products") as follows:

1. Limited Warranty.

Manufacturer warrants that the products sold hereunder will be free from defects in material and workmanship for a period of one (1) year from the date of purchase. If the products do not conform to this Limited Warranty during the warranty period (as herein above specified), Buyer shall notify Manufacturer in writing of the claimed defects and demonstrate to Manufacturer's satisfaction that said defects are covered by this Limited Warranty. If the defects and proof of purchase are properly reported to Manufacturer within the warranty period, and the defects are of such type and nature as to be covered by this warranty, Manufacturer shall, as its own expense, furnish replacement products or, at Manufacturer's option, replacement parts for the defective products. Installation of the replacement products or replacement parts shall be at Buyer's expense.

2. Exclusive Obligation:

THIS WARRANTY IS EXCLUSIVE. The sole and exclusive obligation of Manufacturer shall be to repair or replace the defective products in the manner and for the period provided above. Manufacturer shall not have any other obligation with respect to the products or any part thereof, whether based on contract, tort, strict liability or otherwise. Under no circumstances, whether based on this Limited Warranty or otherwise, shall Manufacturer be liable for incidental, special, or consequential damages.

3. Other Statements.

Manufacturer's employees or representatives' oral or other written statements do not constitute warranties, shall not be relied upon by Buyer, and are not part of the contract for sale or this limited warranty.

4. Entire Obligation.

This Limited Warranty states the entire obligation of Manufacturer with respects to the products. If any part of this Limited Warranty is determined to be void or illegal, the remainder shall remain in full force and effect.



ALL THE RAGES INC
355 EISENHOWER PARKWAY
LIVINGSTON, NJ 07039
WWW.ALLTHERAGES.COM
PRINTED IN CHINA