

Instruction Manual

Questions?

E-mail our customer service department at customerservice@alltherages.com

IMPORTANT SAFETY INSTRUCTIONS:

This fixture must be installed by a qualified electrician!
Disconnect the power at the main electrical panel before installation.

This fixture is for indoor use only. The fixture should not be used near water. Never cover the fixture with any object, including cloth or paper as this is a fire hazard. Do not handle the bulb immediately after the light is turned off as it will be hot. This is not a toy.

ASSEMBLY INSTRUCTIONS:

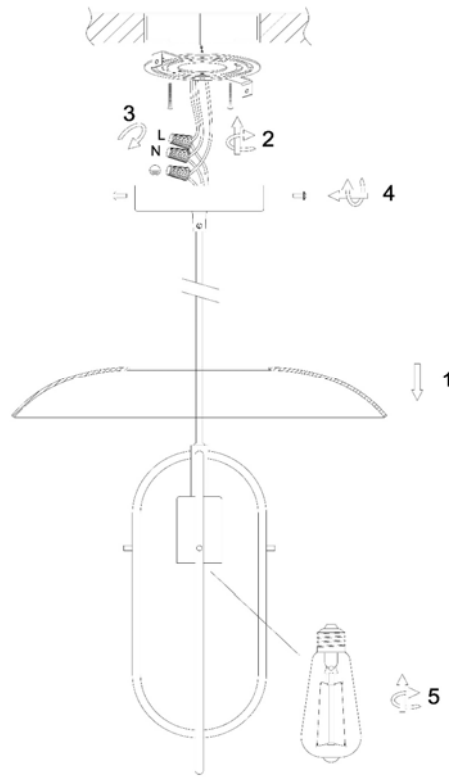
Step 1. Put the glass shade on the main fixture by putting the ceiling plate through the center of the shade and resting it on the notches on the main fixture.

Step 2. Turn the main power supply off. Strip $\frac{3}{4}$ in. of insulation from the wire ends of the fixture and of the supply circuit wires. Holding fixture unit, attach ground supply circuit wire and ground fixture wire together with wire nut (3) (Never connect ground wire to black or white power supply wires.) Twist stripped wire ends of fixture and supply circuit wires together black to black (hot) and white to white (neutral). Twist on wire nuts (3). Tape wire nuts and wires together. Carefully tuck connected wires and wire nuts into outlet box.

Step 3. Next, fasten the ceiling plate with screws (4) to the outlet box.

Step 4. Install the bulb into the socket (5). Only use bulb of recommended type and maximum rated wattage or less.

Step 5. Turn on the power.



REQUIRES (1) 60W MAX MEDIUM BASE

CLEANING & MAINTENANCE:

BULB REPLACEMENT

Make sure light is turned off before replacing bulb.

TROUBLESHOOTING

1. If fixture does not light, check the bulb for a broken filament. Replace bulb if necessary.
2. If any wires of this fixture is damaged, it must be replaced by a qualified electrician in order to avoid a hazard.

MAINTENANCE

1. To clean, use a soft cloth only.
2. Do not use any chemical or abrasive cleaners.

LIMITED WARRANTY

All the Rages Inc, a New Jersey corporation, having its principal place of business at 355 Eisenhower Parkway Suite 101 Livingston, NJ 07039 (All the Rages) warrants its products (the "products") as follows:

1. Limited Warranty.

Manufacturer warrants that the products sold hereunder will be free from defects in material and workmanship for a period of one (1) year from the date of purchase. If the products do not conform to this Limited Warranty during the warranty period (as herein above specified), Buyer shall notify Manufacturer in writing of the claimed defects and demonstrate to Manufacturer's satisfaction that said defects are covered by this Limited Warranty. If the defects and proof of purchase are properly reported to Manufacturer within the warranty period, and the defects are of such type and nature as to be covered by this warranty, Manufacturer shall, as its own expense, furnish replacement products or, at Manufacturer's option, replacement parts for the defective products. Installation of the replacement products or replacement parts shall be at Buyer's expense.

2. Exclusive Obligation:

THIS WARRANTY IS EXCLUSIVE. The sole and exclusive obligation of Manufacturer shall be to repair or replace the defective products in the manner and for the period provided above. Manufacturer shall not have any other obligation with respect to the products or any part thereof, whether based on contract, tort, strict liability or otherwise. Under no circumstances, whether based on this Limited Warranty or otherwise, shall Manufacturer be liable for incidental, special, or consequential damages.

3. Other Statements.

Manufacturer's employees or representatives' oral or other written statements do not constitute warranties, shall not be relied upon by Buyer, and are not part of the contract for sale or this limited warranty.

4. Entire Obligation.

This Limited Warranty states the entire obligation of Manufacturer with respects to the products. If any part of this Limited Warranty is determined to be void or illegal, the remainder shall remain in full force and effect.



355 EISENHOWER PARKWAY
SUITE 101
LIVINGSTON, NJ 07039
WWW.ALLTHERAGES.COM
PRINTED IN CHINA