



WOODEN 2 LIGHT POT RACK

Questions?

E-mail our customer service department at customerservice@alltherages.com

IMPORTANT SAFETY INSTRUCTIONS:

For your safety please have this fixture mounted by a qualified electrician or contractor, also because this pot rack is quite heavy it will require 2 or more people to help with installation.

This pot rack was tested to safely hold an additional 20 lbs. of weight. We do not recommend adding more than the specified rated weight.

Tools:

You will need the following tools and Equipment:

- A. Ladder
- B. Phillips Head Screw Driver
- C. Wire Cutters
- D. Wrench (included)

Optional:

Pliers

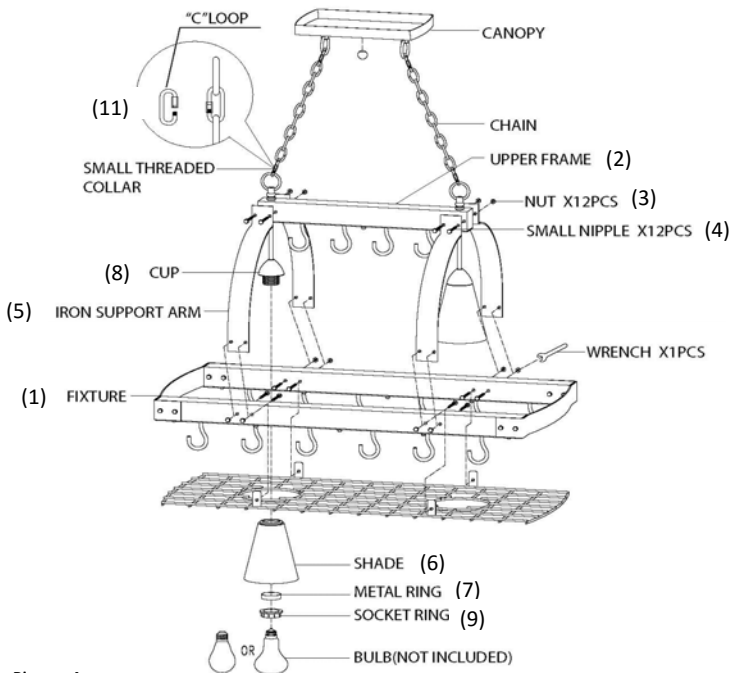
Carefully Unpack the Fixture:

You should have received the following parts in the package:

- | | |
|----------------------------|--------------------|
| 1 X FIXTURE UNIT | 3 X WIRE NUTS |
| 4 X SMALL THREADED COLLARS | 2 X MACHINE SCREWS |
| 4 X IRON SUPPORT ARMS | 1 X THREADED PIPE |
| 12 X SMALL NIPPLES | 1 X MOUNTING BAR |
| 12 X NUTS | 2 X SHADES |
| 16 X HOOKS | 2 X SOCKET RINGS |
| 1 X DECORATIVE KNOB | 4 X LONG SCREWS |
| 2 X METAL RINGS | 4 X WALL ANCHORS |
| 2 X HEX NUT | 1 X WRENCH |

Assembly:

- 1) Carefully remove all parts from package. Please verify that all parts are present before discarding carton and packing materials.
- 2) Place fixture (1) on a smooth, flat surface.
- 3) Connect upper frame (2) and fixture (1), by pushing the small nipple (4), through the iron support arm (5) and upper frame (2) and secure with nut (3) using included wrench to tighten.
- 4) Place shade (6) and metal ring (7) onto the cup (8), and lock it with socket ring (9).
- 5) Install bulbs. Only use bulbs of specified type and max rated wattage or less.
- 6) Open up one end of "C" loop by turning the small threaded collar (11) and attach the "C" loop to the top loop of the ceiling fixture. Make sure to close the collar portion of the "C" loop once you have connected the chain and fixture base together.



**Requires 2 x 50W medium base type R-20 bulbs or 2 x 60W medium base type A19 bulbs (not included)

Diagram A

INSTALLATION

CAUTION/IMPORTANT: - TURN OFF POWER AT MAIN FUSE OR CIRCUIT BREAKER BOX BEFORE STARTING INSTALLATION.
WE RECOMMEND THIS PRODUCT BE INSTALLED BY A QUALIFIED ELECTRICIAN TO REDUCE RISK OF FIRE AND ELECTRICAL SHOCK.

Step 1:

- A. Screw about 1/2" of threaded pipe into center hole in mounting bar.
Note: The protruding side lips of mounting bar must face threaded pipe. See diagram B.
- B. Attach mounting bar to ceiling junction box with two machine screws (supplied with junction box) through slot at each end of mounting bar.
- C. At this point test install the canopy onto ceiling through this threaded pipe and make certain 5/16" of threaded pipe protrude below the canopy. If not, then adjust the threaded pipe location by screwing up or down accordingly.
- D. Once correct threaded pipe location has been adjusted, remove canopy and mounting bar from junction box.
- E. Lock threaded pipe into mounting bar by fastening a hex nut from above. **Note: Do not spin threaded pipe during tightening.**

Step 2:

To hang fixtures weighing over 50 lbs. (over 25 lbs. in Canada) the mounting bar must be supported independently of the ceiling junction box.
Recommend minimum of two 1/4" diameter screws or bolts (rated for 200 lbs. or greater) which must have sufficient length to be installed through the mounting bar, junction box, and securely into the ceiling structure member or cross brace.
This installation must be able to support at least four times the weight of the fixture.
Check this fact before starting assembly. If unsure please consult a qualified technician.

Step 3: Fasten back two machine screws (supplied with junction box) through slot at each end of mounting bar and into junction box.

Step 4: Fasten another hex nut onto bottom end of threaded pipe. For added support, use the supplied 4 x wall anchors for the 4 x long screws to secure the mounting bar to the ceiling junction box.

Min. 60 C⁹ supply conductors

Step 5. Fixture wire connections:

Connect clear smooth side fixture wire to black supply wire and clear ridged side fixture wire to white supply wire.

Note: Make certain no loose conductors protrude outside of wire connectors, and make certain all wires are securely held together by wire connectors.

Step 6. Ground wire connection: Connect fixture ground wire to supply ground wire with wire connector.

Important: Never connect ground wire to black or white supply wires.

Step 7. Once all wires are connected tuck them carefully into junction box.

Then raise canopy against the ceiling and lock into position by screwing decorative knob onto the threaded pipe.

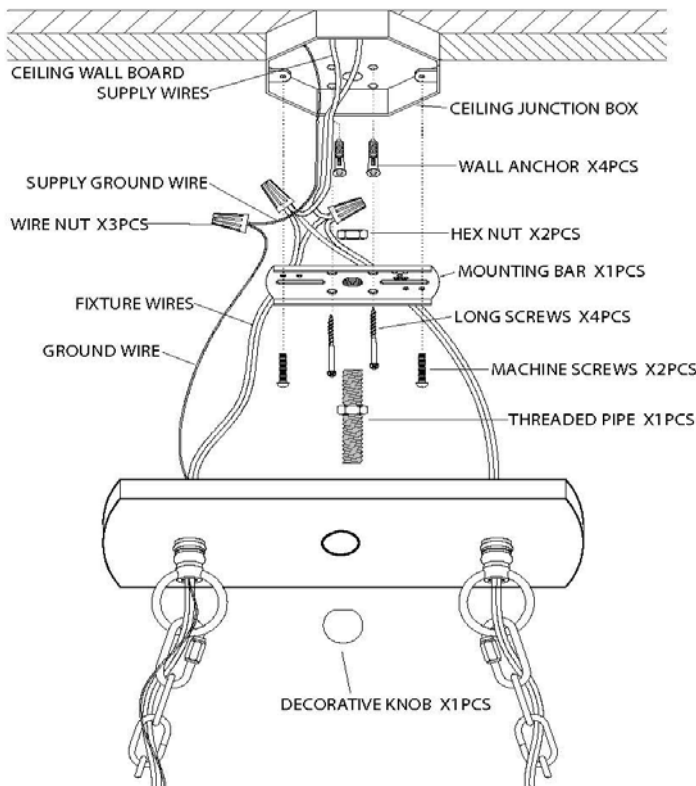


Diagram B

LIMITED WARRANTY

All the Rages Inc, a New Jersey corporation, having its principal place of business at 355 Eisenhower Parkway Suite 101, Livingston, NJ 07039 (All the Rages) warrants its products (the "products") as follows:

1. Limited Warranty.

Manufacturer warrants that the products sold hereunder will be free from defects in material and workmanship for a period of one (1) year from the date of purchase. If the products do not conform to this Limited Warranty during the warranty period (as herein above specified), Buyer shall notify Manufacturer in writing of the claimed defects and demonstrate to Manufacturer's satisfaction that said defects are covered by this Limited Warranty. If the defects and proof of purchase are properly reported to Manufacturer within the warranty period, and the defects are of such type and nature as to be covered by this warranty, Manufacturer shall, as its own expense, furnish replacement products or, at Manufacturer's option, replacement parts for the defective products. Installation of the replacement products or replacement parts shall be at Buyer's expense.

2. Exclusive Obligation:

THIS WARRANTY IS EXCLUSIVE. The sole and exclusive obligation of Manufacturer shall be to repair or replace the defective products in the manner and for the period provided above. Manufacturer shall not have any other obligation with respect to the products or any part thereof, whether based on contract, tort, strict liability or otherwise. Under no circumstances, whether based on this Limited Warranty or otherwise, shall Manufacturer be liable for incidental, special, or consequential damages.

3. Other Statements.

Manufacturer's employees or representatives' oral or other written statements do not constitute warranties, shall not be relied upon by Buyer, and are not part of the contract for sale or this limited warranty.

4. Entire Obligation.

This Limited Warranty states the entire obligation of Manufacturer with respects to the products. If any part of this Limited Warranty is determined to be void or illegal, the remainder shall remain in full force and effect.



ALL THE RAGES INC
355 EISENHOWER PARKWAY
SUITE 101
LIVINGSTON, NJ 07039
WWW.ALLTHERAGES.COM