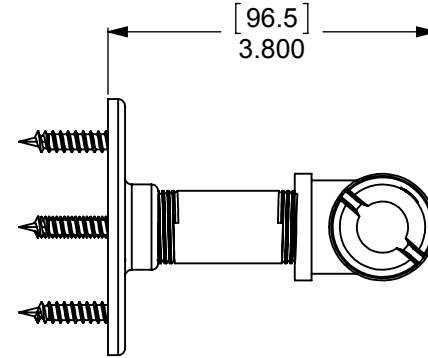
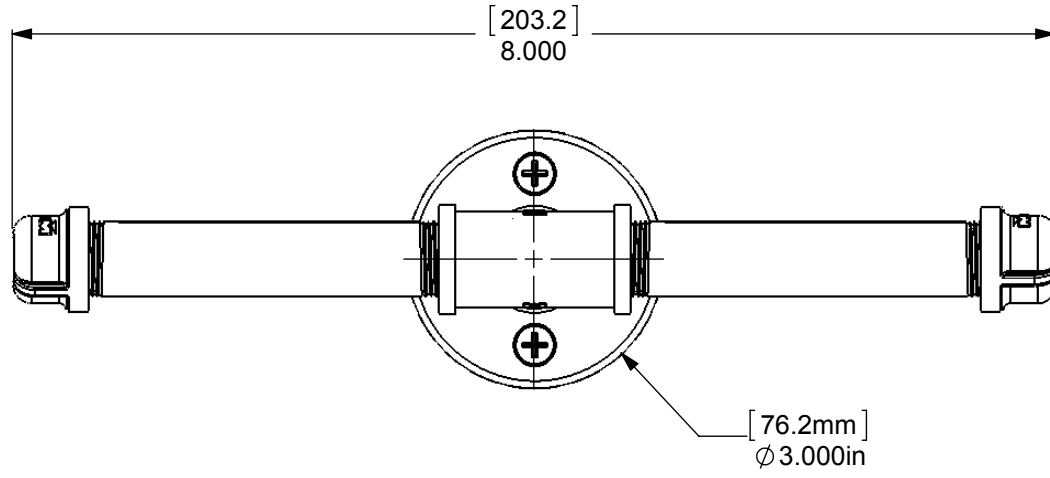
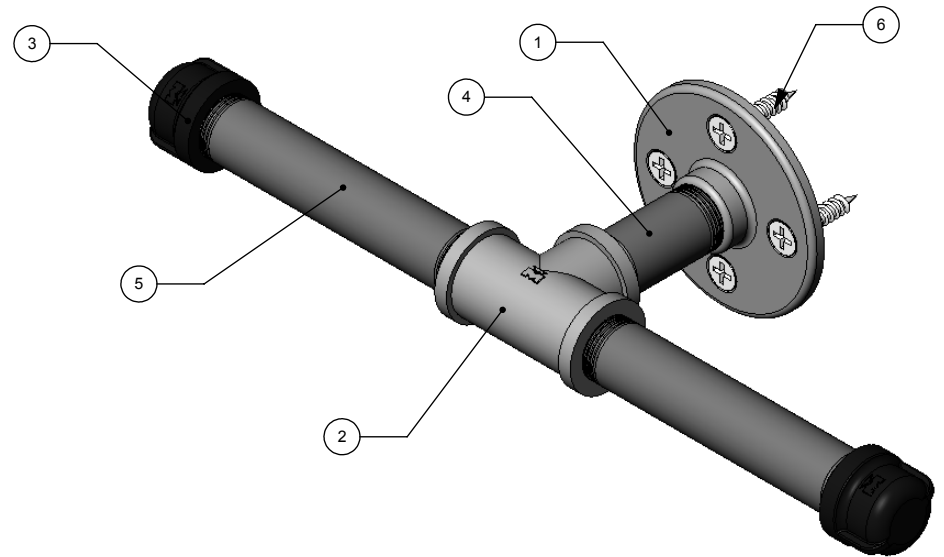


ITEM NO.	PART NUMBER	DESCRIPTION	QTY.
1	PIPE-FL12-3	1/2" FLANGE	1
2	PIPE-TEE-12	1/2" TEE	1
3	PIPE-CAP-12	1/2" CAP	2
4	PIPE-NIP12-2.5	1/2" 2 1/2" NIP	1
5	PIPE-NIP12-5	1/2" 5" NIP	2
6	WOOD SCREW-12	#12 WOOD SCREW	4



UNLESS OTHERWISE STATED	
.X	±.3mm
.XX	±.15mm
.XXX	±.008mm

COPYRIGHT © Allied Brass 2017

THIRD ANGLE PROJECTION

DRAWN	5/23/2017	I.M
CHECKED	5/23/2017	P.D
APPROVED	5/23/2017	R.A

MATERIAL: BRASS

DESCRIPTION: Pipeline Collection Double Roll Toilet Paper Holder



**APPROVED FOR PRODUCTION**  
 BY: RICHARD PAUL  
 DATE: 5/23/2017

FINISH	TBD
QUANTITY	TBD
DRAWING No.	REV
P-160-DTP	0
SCALE	1:2.25
SHEET: 01	A4