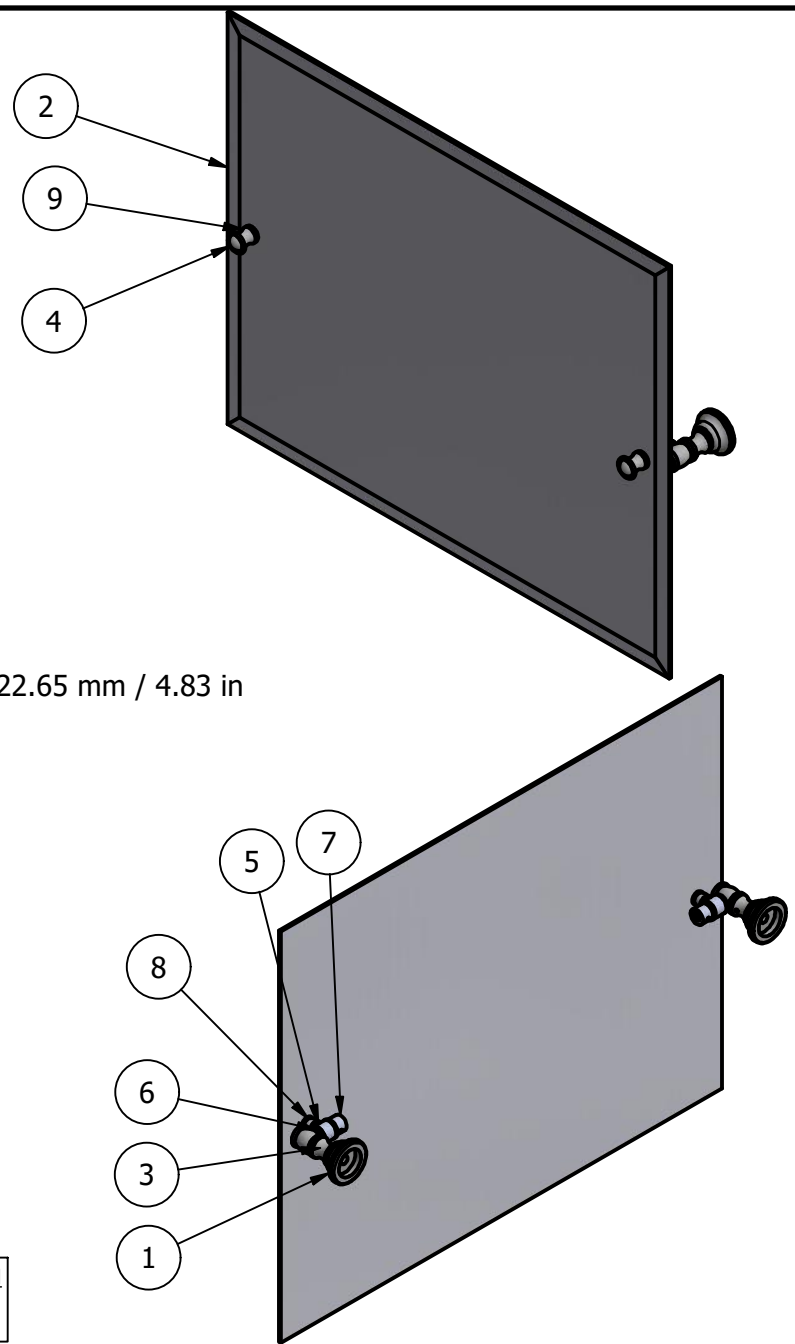
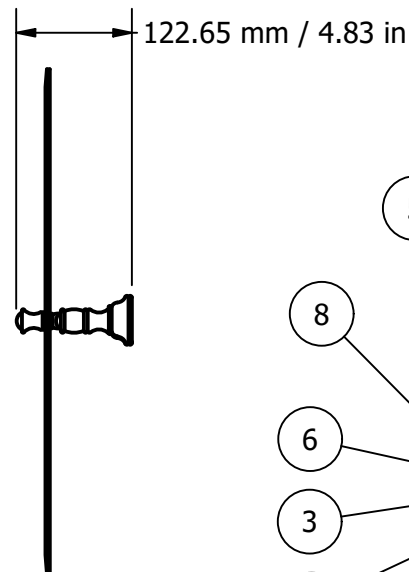
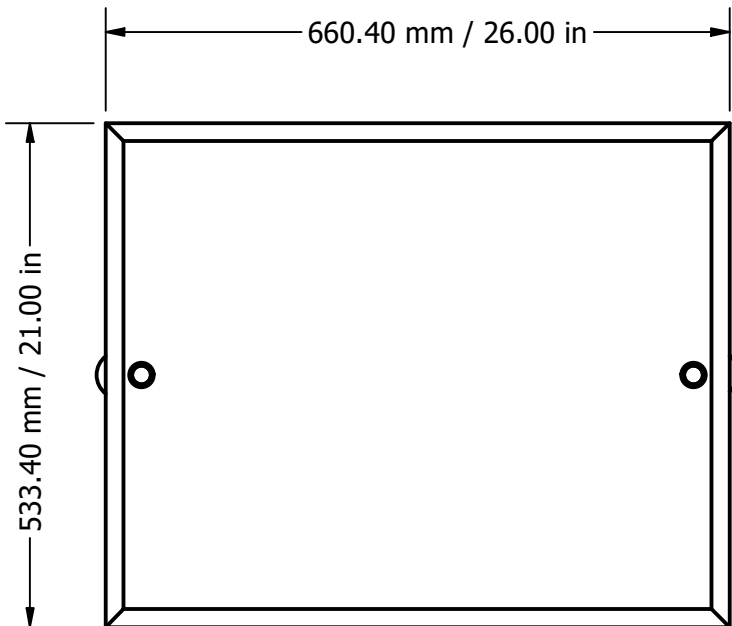



PARTS LIST			
ITEM	QTY	PART NUMBER	DESCRIPTION
1	2	TBBS-2	BACKPLATE
2	1	MRRT-93	RECTANGULAR MIRROR
3	2	TSPS-2	HUB
4	4	CL-CAP	CAP
5	2	MR-TILT-FITT	HUB
6	4	CRRD-34	CHECK RING
7	2	LNMR-38	RETAINER LOCKNUT
8	2	PSRD-58	HUB
9	2	KBBD-1	HUB



APPROVED FOR PRODUCTION
 By: RICHARD PAUL
 Date: 12-12-18

UNLESS OTHERWISE SPECIFIED	
.X	± .3mm
.XX	± .15mm
.XXX	± .008mm



DRAWN	12-12-18	IM	MATERIAL:	BRASS	FINISH	TBD
CHECKED	12-12-18	P.D.	DESCRIPTION:		QTY	TBD
APPROVED	12-12-18	R.A.	Carolina Rectangular Landscape Tilt Mirror with Beveled Edge		DRAWING NO.	
					CL-93	
					0	
					SCALE	1.5:1