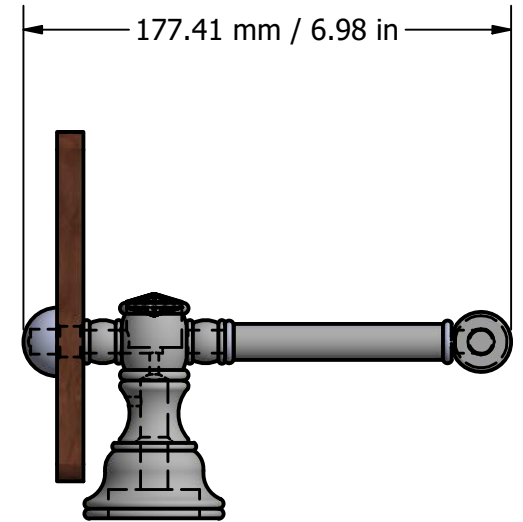
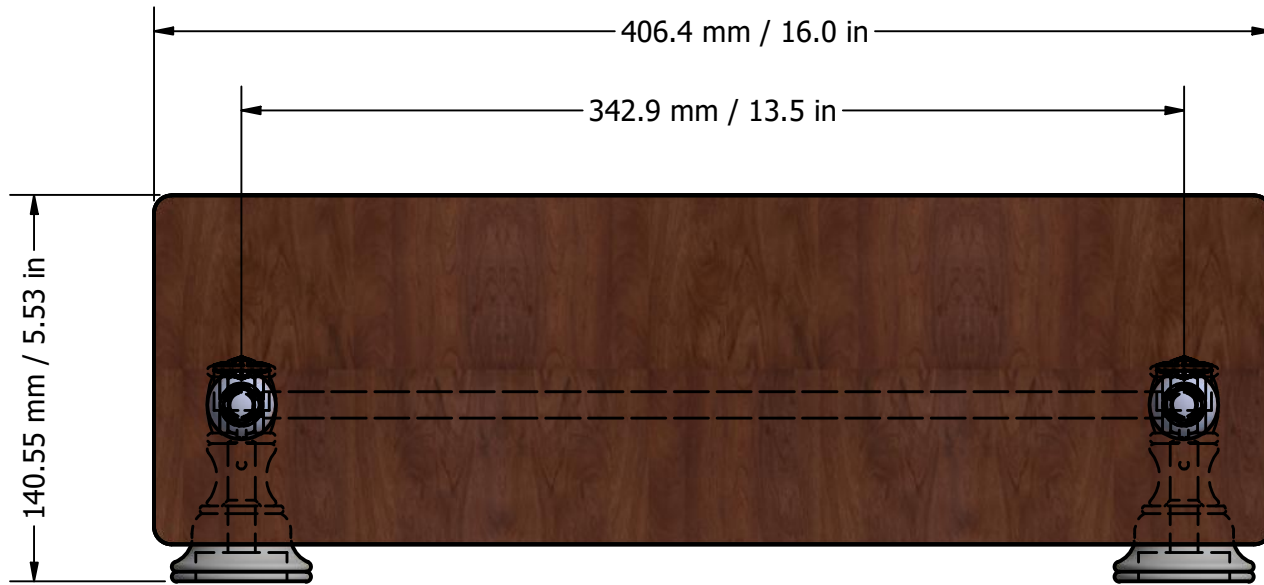
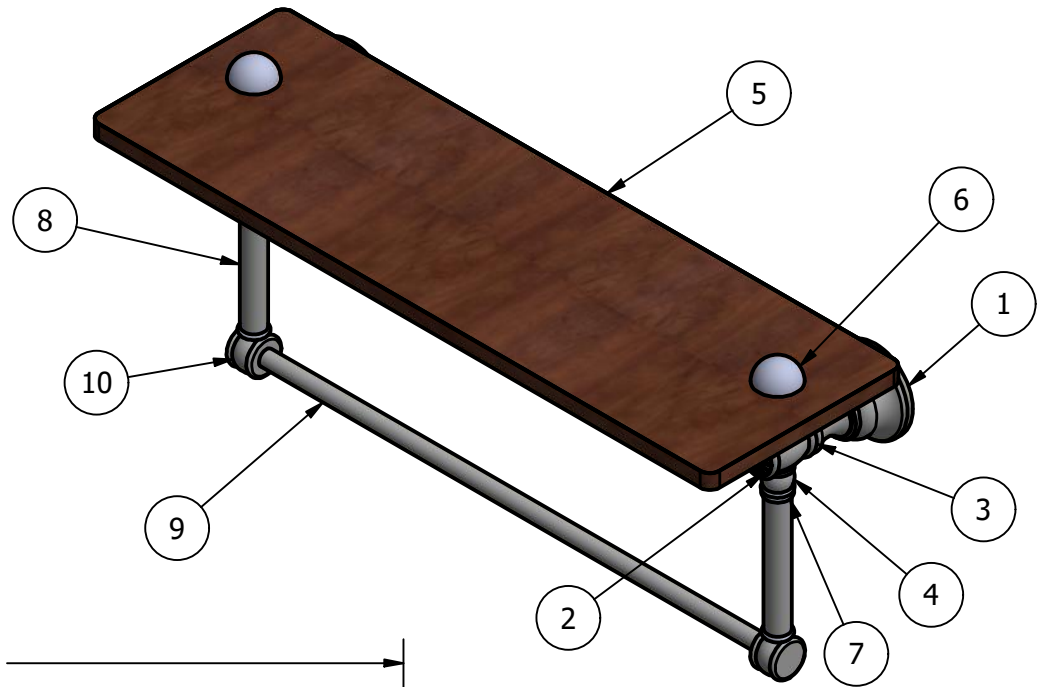


PARTS LIST			
ITEM	QTY	PART NUMBER	DESCRIPTION
1	2	TBBS-2	BACKPLATE
2	2	CRYSTCAP-20	CRYSTAL CAP
3	2	RGPS-2	CAP
4	4	PSRD-58	HUB
5	1	IRWRT-16	16" IPE
6	2	CAHR-1	CAP
7	4	CRRD-12	CHECK RING
8	2	TU12-3	TUBE
9	1	TU12-13.5	TUBE
10	2	CLHB2T-78	HUB



UNLESS OTHERWISE SPECIFIED	
.X	± .3mm
.XX	± .15mm
.XXX	± .008mm

UNIT IS IN MM.

DRAWN	10-30-19	IM
CHECKED	10-30-19	P.D.
APPROVED	10-30-19	R.A.

MATERIAL:	BRASS
DESCRIPTION:	Carolina Crystal Collection 16 Inch Wood shelf with Integrated Towel Bar



APPROVED FOR PRODUCTION
By: RICHARD PAUL
Date: 10-30-19

FINISH	TBD
QTY	TBD
DRAWING NO.	REV
CC-1-16-TB-IRW	0
SCALE	1.5:1 SHEET: 1 OF 1 A4