

KBG-101-13

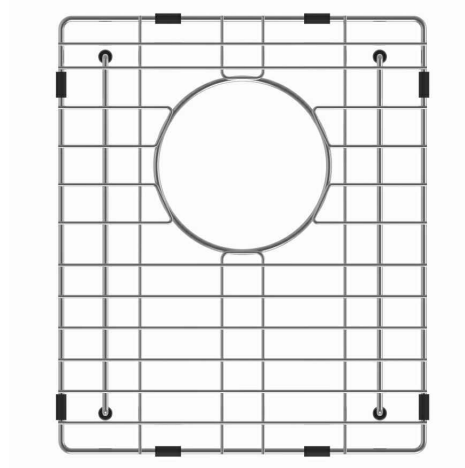
Stainless Steel Kitchen Sink Bottom Grid

Grid Dimensions

Overall Dimensions: 10 5/8" x 12 5/8" x 7/8"

Features

- Commercial grade stainless steel construction
- For Use with the KHU101-13 kitchen sink
- Protects bottom of sink from daily wear and tear
- Rubber feet provide additional protection



Warranty

Kraus One Year Limited Warranty

see website for details www.kraususa.com

