

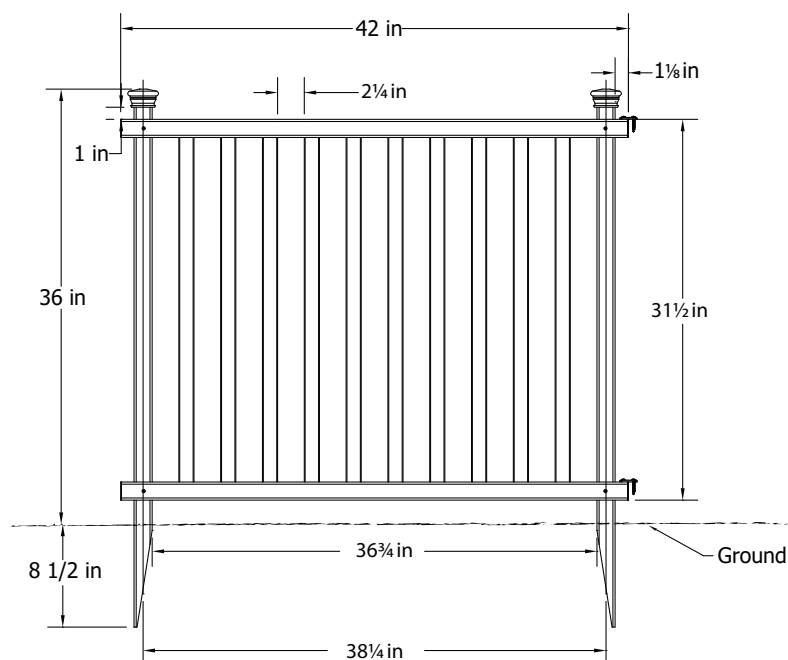
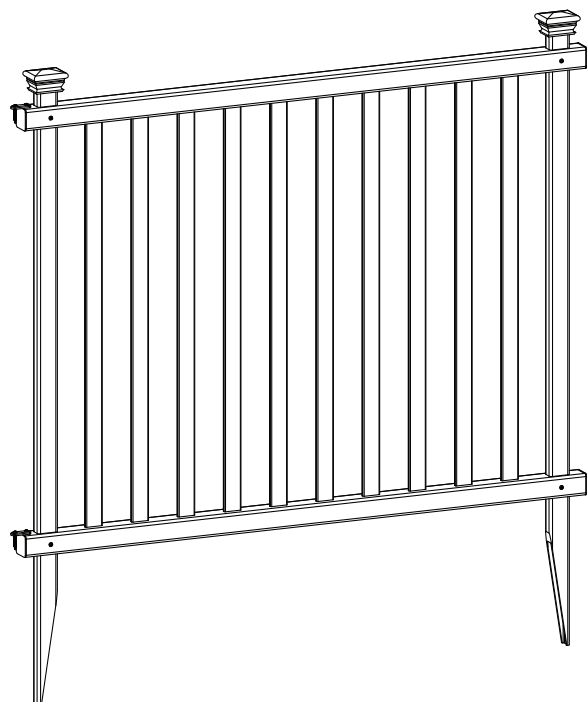
ASSEMBLY INSTRUCTIONS

Baskenridge Vinyl Fence Kit (42"W x 36"H)



ZIPPITY
Easy Does It!

THIS FENCE IS DESIGNED
FOR SEMI-PERMANENT
APPLICATIONS



Please read through before starting assembly.

IMPORTANT: CHECK THE INSIDE OF THE LARGER PIECES IN YOUR BOX FOR OTHER MATERIALS PACKED INSIDE.

Check Box for These Contents

In the event of missing or defective parts please call our customer service department at 1 877 234 6196 (Mon. to Fri. 8:00 AM to 4:00 PM EST).

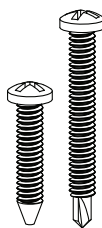
1. Post Caps (4)
2. Top & Bottom Rails (4) - 1 1/2" x 1 1/2" x 41 7/8"
3. Posts (4) - 7/8" x 1 1/2" x 44"
4. Spindles (20) 1/4" x 1 1/4" x 31 1/4"
5. Joiner Clips (4)
6. 3/4" Self-Auguring Stainless Steel Screw (16) (Bag A)
7. 1" Self-Tapping Stainless Steel Screw (8) (Bag B)
8. End Caps (8) (4 are installed, 4 are loose)

Tools You Will Need

- Cordless Drill
- Level
- Hammer

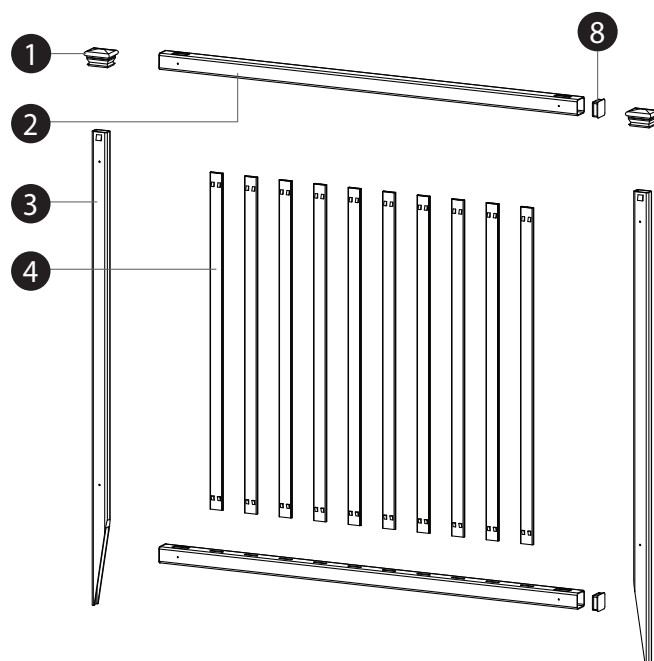


5



6 7

Not to Scale



General Information

- Read Instructions through carefully before beginning assembly.
- When assembling components, place on a non-abrasive surface (i.e. shipping box) to avoid scratching.
- We recommend an area approx 5'x 8' for unobstructed assembling.
- You should not need to use excessive force when assembling components.

STEP ONE

1

Pressure fit an end cap to the end of the horizontal rails. There will be a total of four end caps and four rails.

2

Slide the top rail up from the bottom of a post until the pre-drilled hole on the rail aligns with the pre-drilled hole at the top of the post.

Tip!

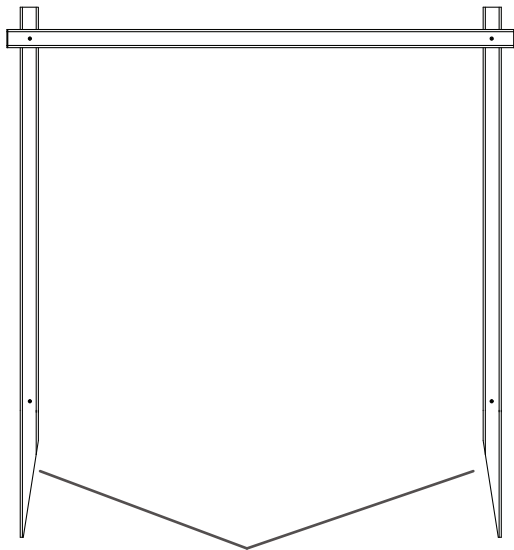
Shine an LED light from a smart phone or flashlight down the end of the posts to help identify alignment of pre-drilled holes if necessary.

3

Do the same with the other post.

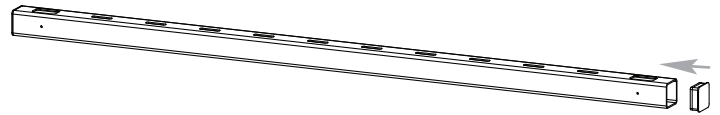
4

Secure the rail to both sides of the posts using 3/4" screws as illustrated.



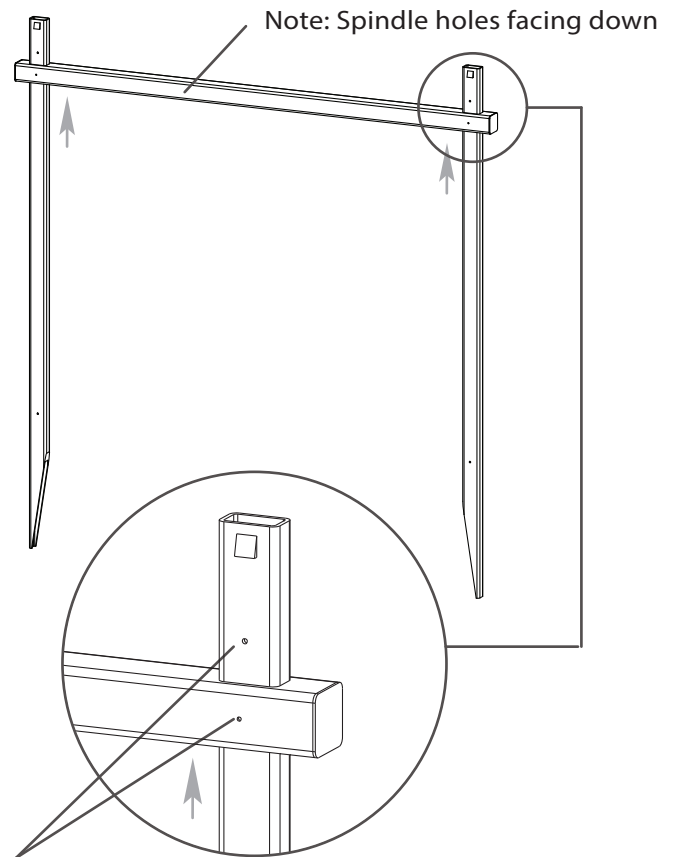
Note: Orientate the bottom of Posts as Illustrated

1



x4

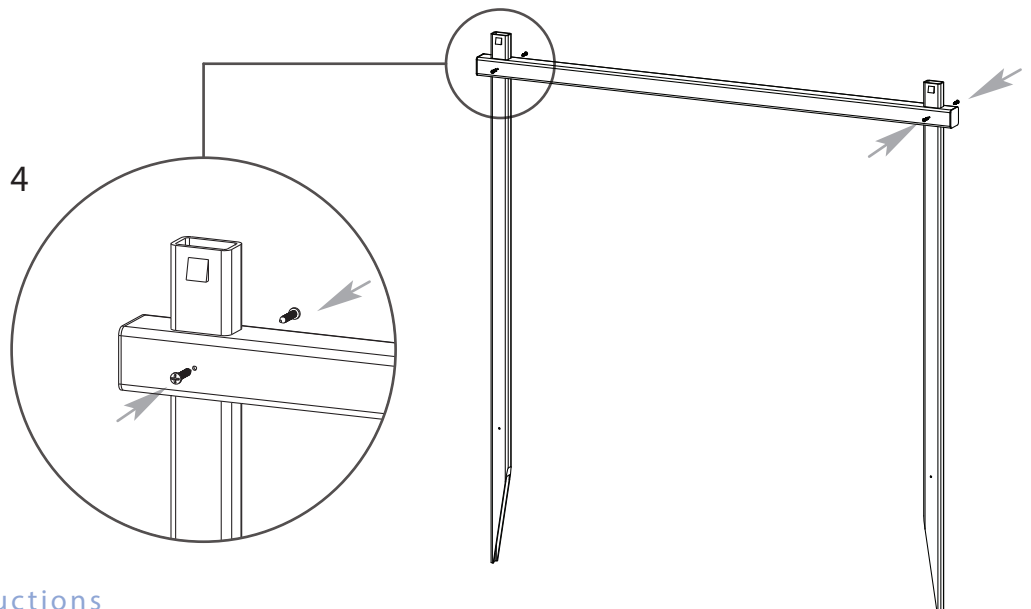
2&3



Note: Spindle holes facing down

Note: Align Holes

4



ZIPPITY
Easy Does It!

STEP TWO

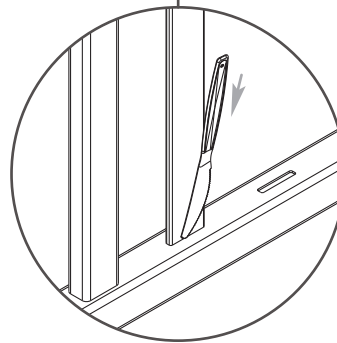
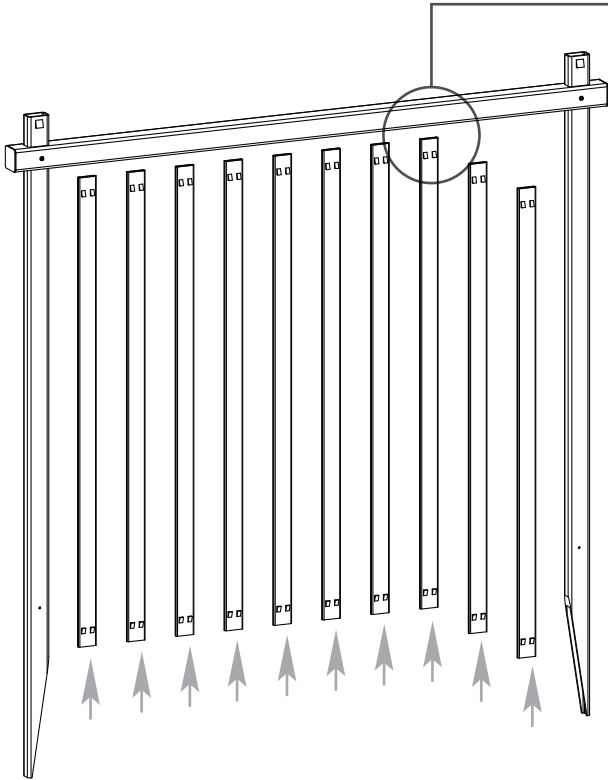
1

Insert the spindles into the routed holes as illustrated.
Note: the tabs on the end of the spindles are intended to go into the rail to lock spindles into place.

2

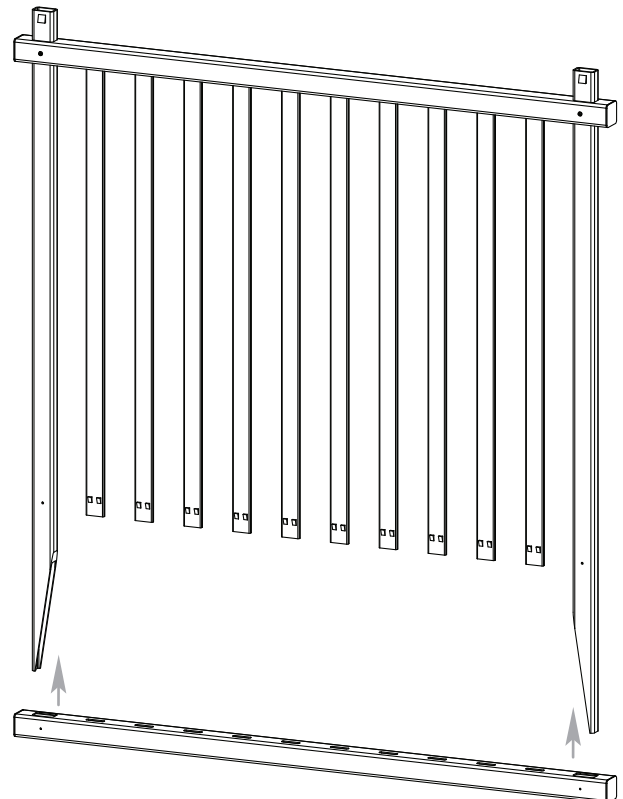
Push the posts and spindles down into the bottom rail as illustrated.

1



Note: Once inserted, the spindles will lock into place. To remove the spindle(s), gently insert a butter knife along the picket direction as shown and slowly pull up the spindle(s).

2

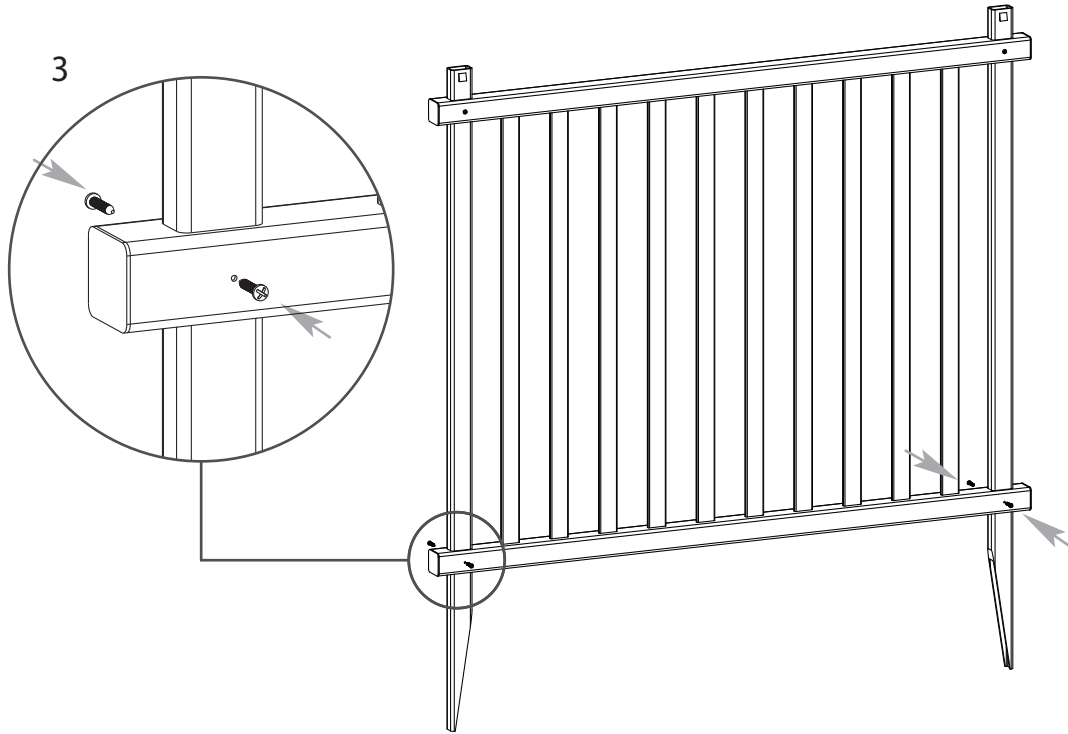


ZIPPITY
Easy Does It!

STEP TWO

3

Secure the rail to the posts with 3/4" screws on both sides of the rail as illustrated.



STEP THREE

Install fence into Ground

1

Move the fence to its final location and identify the location of posts.

2

Loosen the top 8" to 10" of the ground using a claw hammer and screw driver (or something equivalent) as illustrated.

3

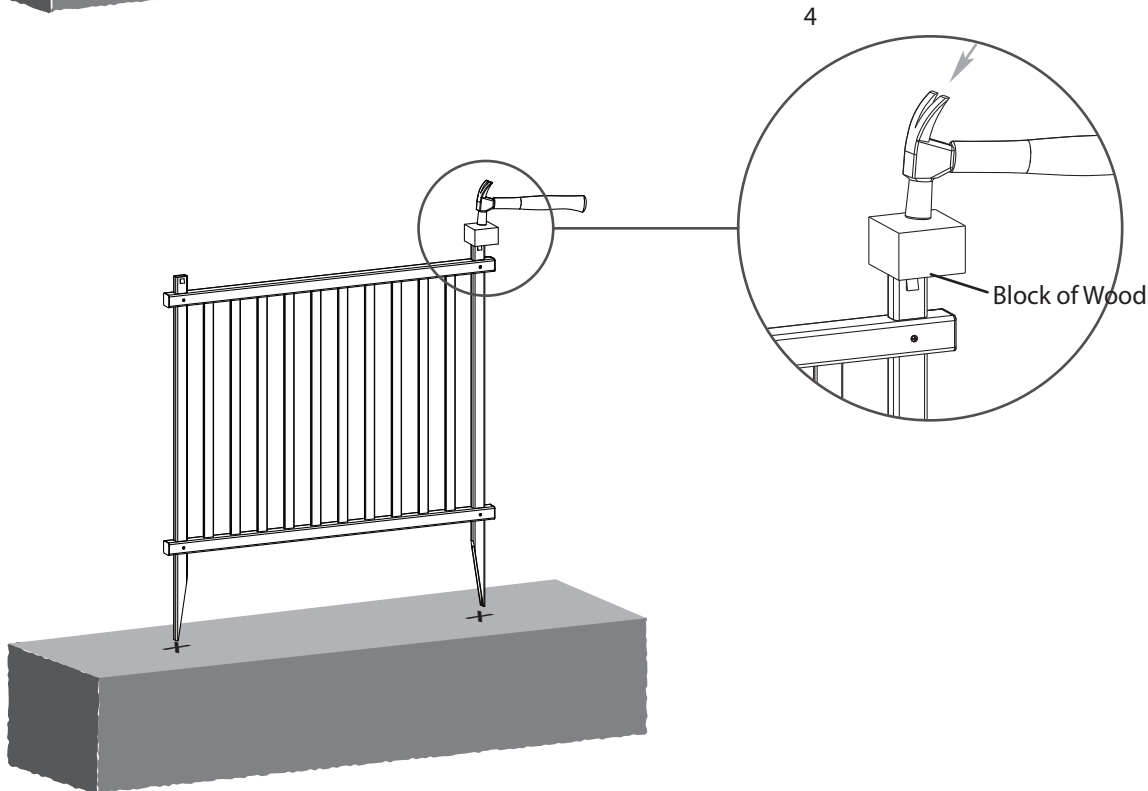
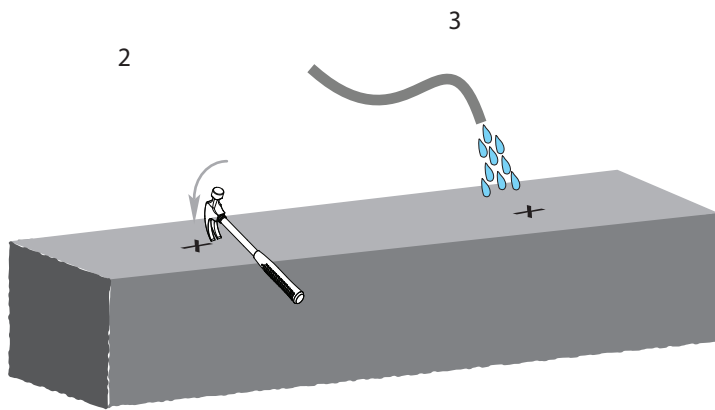
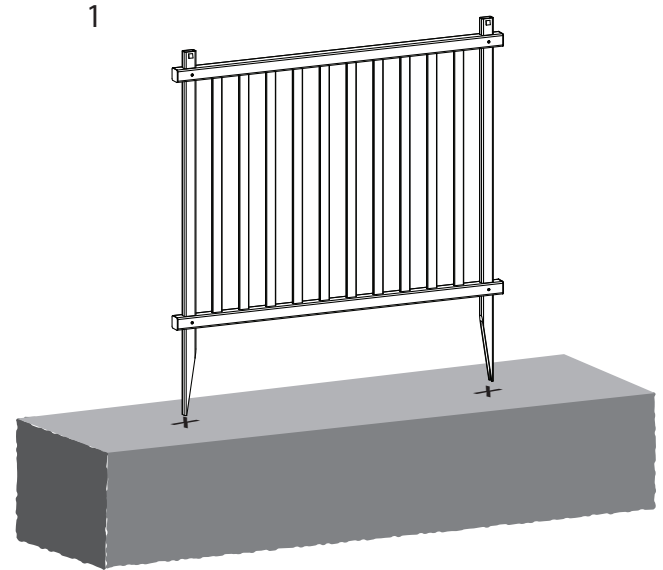
Add water to loosen soil.

4

Use a block of wood to protect the top of the posts and gently hammer each post into the ground equally.



ZIPPITY
Easy Does It!



STEP THREE

OPTIONS IN HARD GROUND

If your ground is too hard, or you have more than three or four panels to install, please consider:

1

Purchase a 1 3/4" diameter auger bit (commonly used for planting tulips) as illustrated (\$15-\$20 on Amazon.com)

2

Drill a hole in the ground at the desired location only about 8" to 10" deep.

3

Fill the holes with water as illustrated.

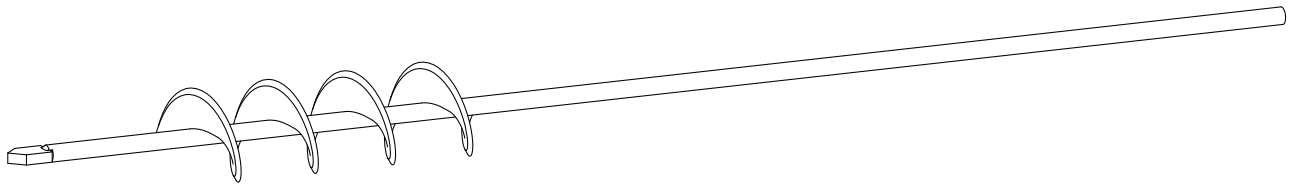
4

Push fence posts into the holes as illustrated.

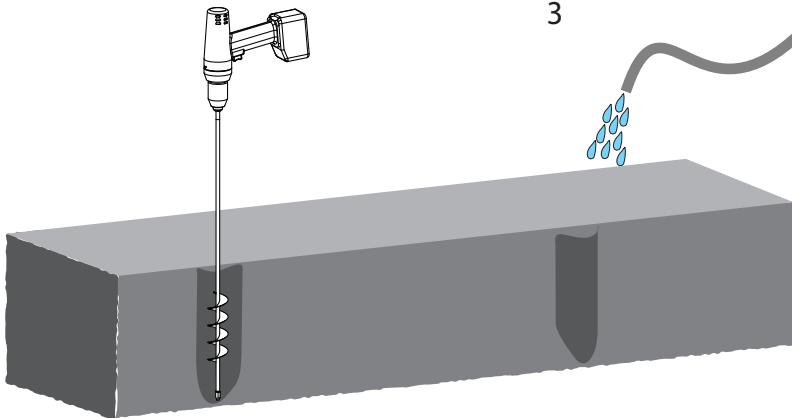


ZIPPITY
Easy Does It!

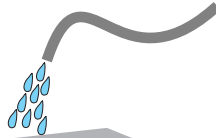
1



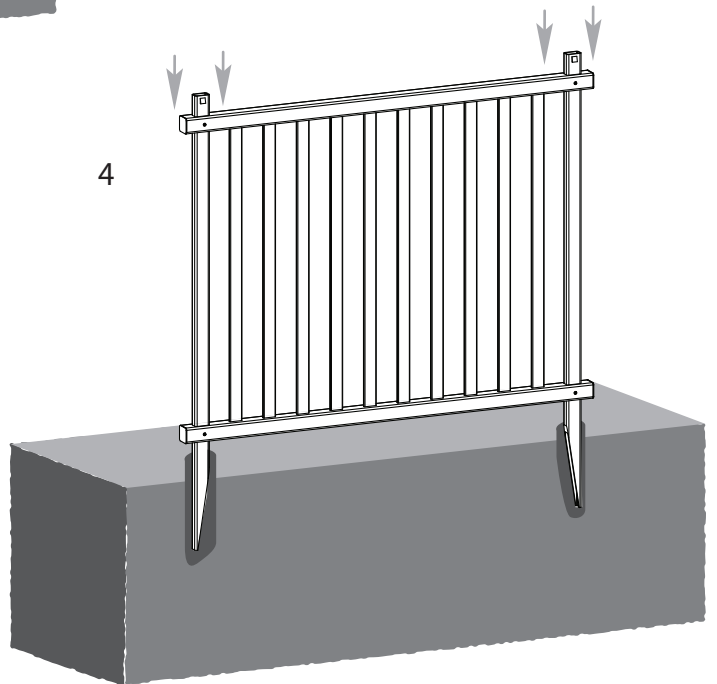
2



3



4

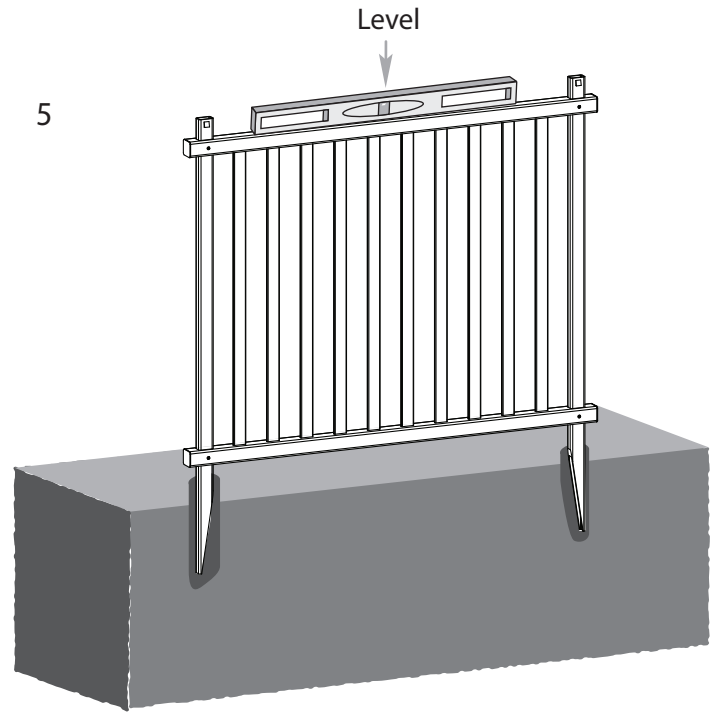


STEP THREE

Install fence into Ground - Continued

5

Level the assembled unit and backfill and compact dirt around the base of each post to strengthen the unit.



STEP FOUR

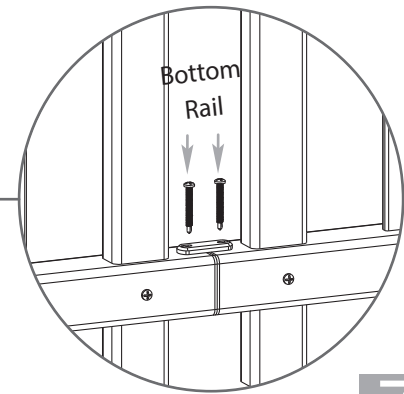
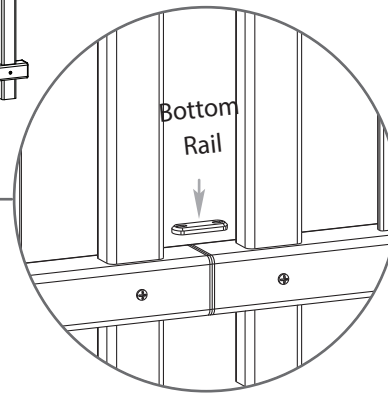
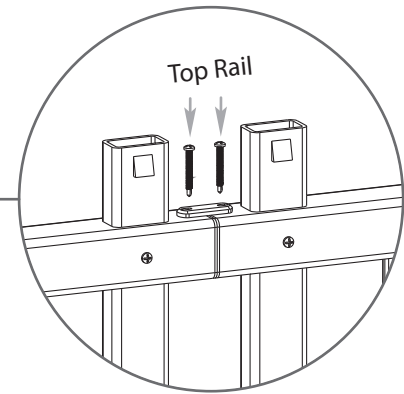
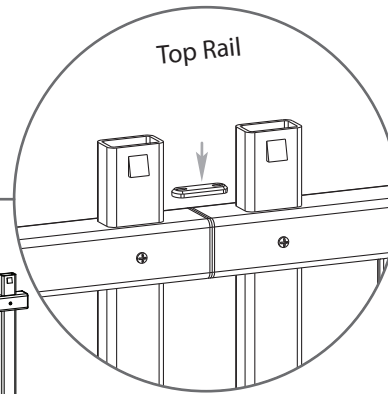
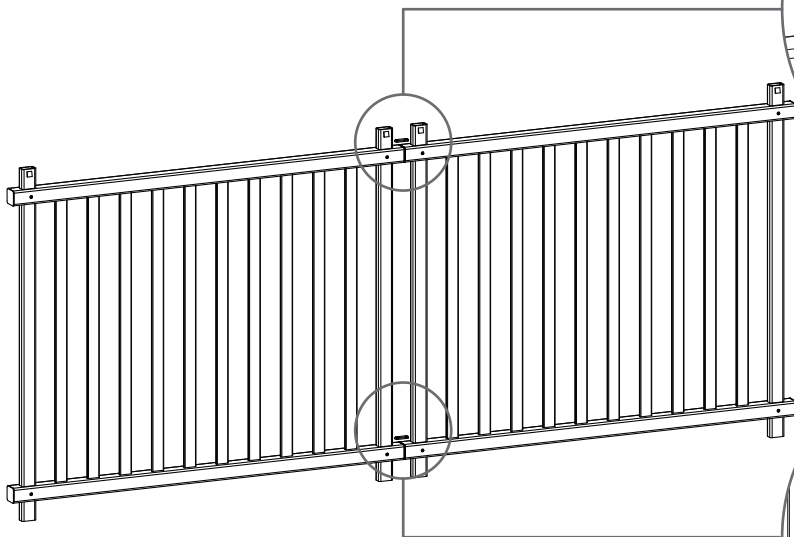
Fasten Joiner Clips

1

Fasten joiner clips by screwing into place on the top of the top rail and top of the bottom rail as illustrated. Use the 1" self-tapping screws.

2

Fasten the opposite end of the joiner clip as illustrated.



STEP FIVE

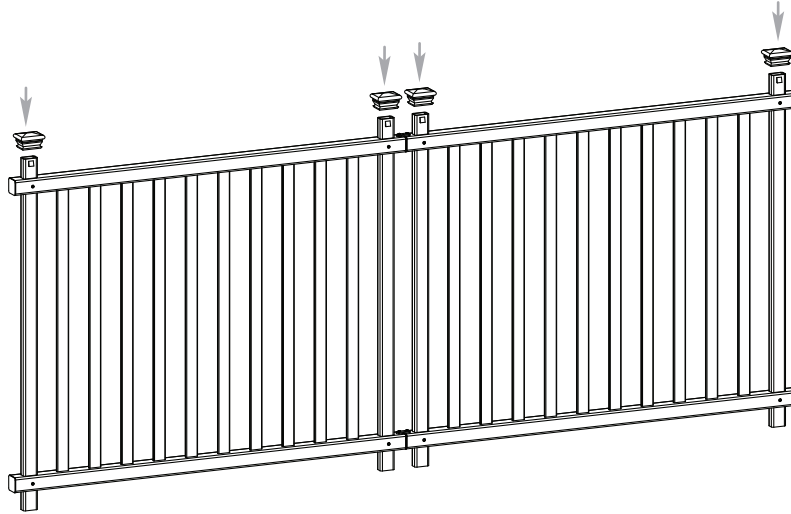
Post Caps Installation

1

Finish the assembly by pushing the post caps down over the top of posts as illustrated. The post caps will lock into place.



ZIPPITY
Easy Does It!



OPTIONAL

Angled Installation

The fence panels can also be installed on an angle as shown.

