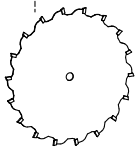
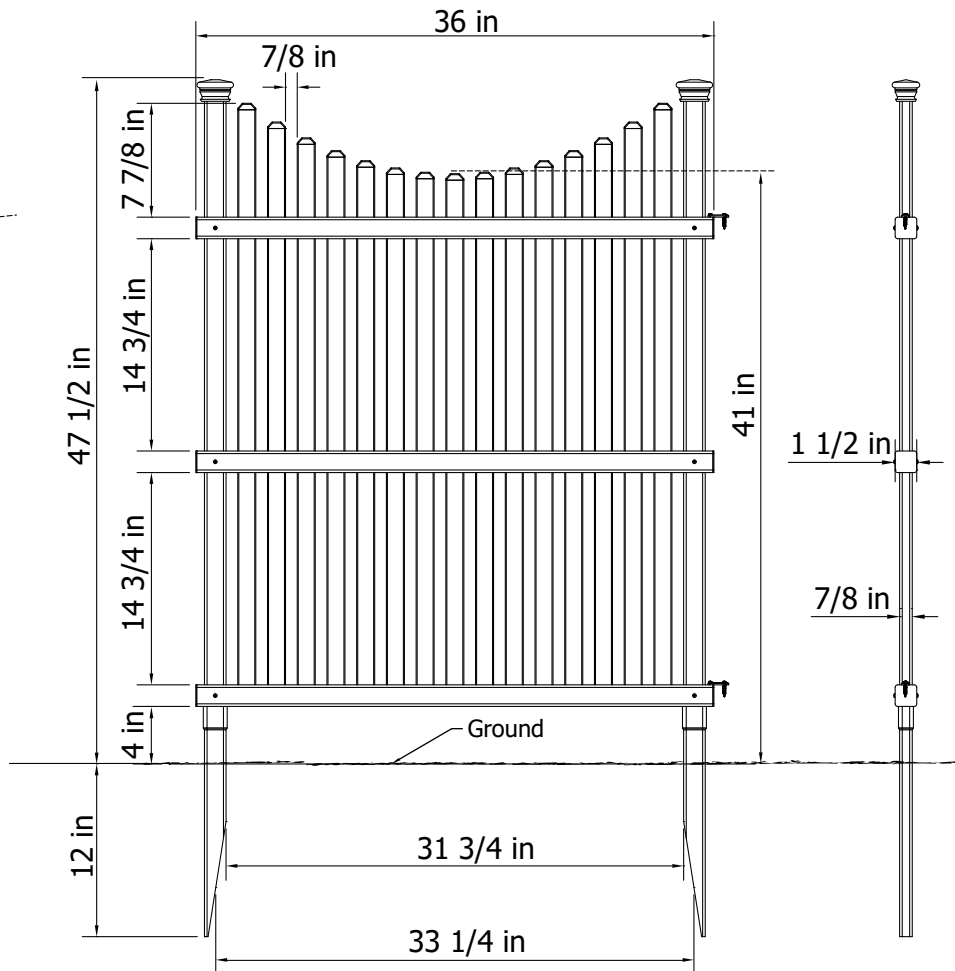
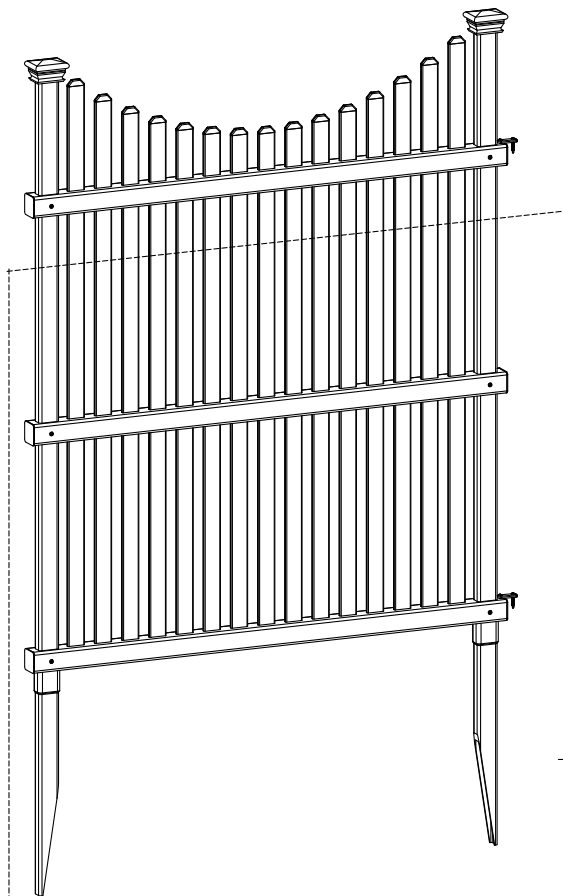


# LINE DRAWINGS

## Huntersville Vinyl Screen Kit 2 Pack (36inW x 48inH)

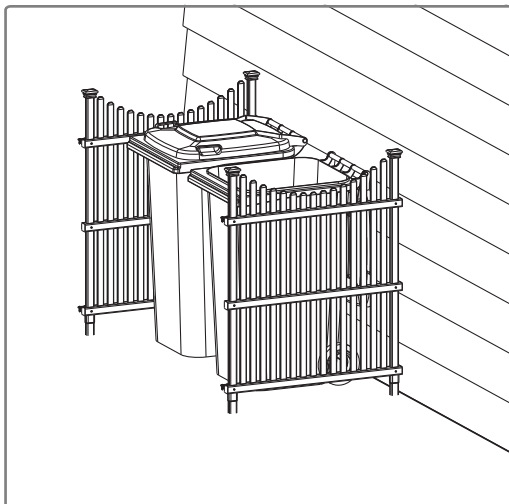
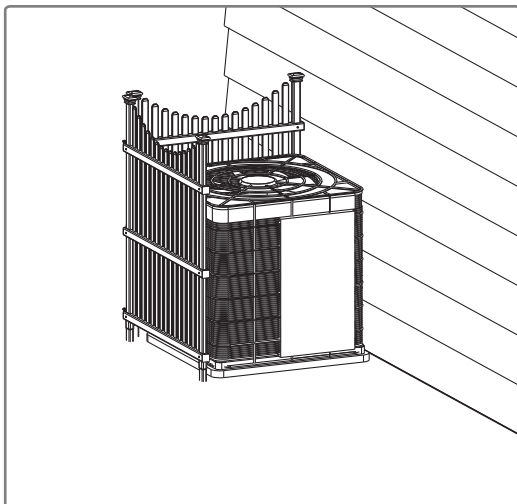


**ZIPPITY**  
*Easy Does It!*



If necessary, this enclosure can be trimmed down vertically to fit your custom space. Use a fine toothed circular or hack saw. Rails will need to be re-spaced and configured accordingly.

### Screen Installation Options



\* Screens are designed to be installed at a right angle for optimal stability. If installing in a straight line or independently from each other, it is recommended to secure the posts into the ground with a bit of gravel or quick drying cement to ensure your screens are not easily knocked over.