

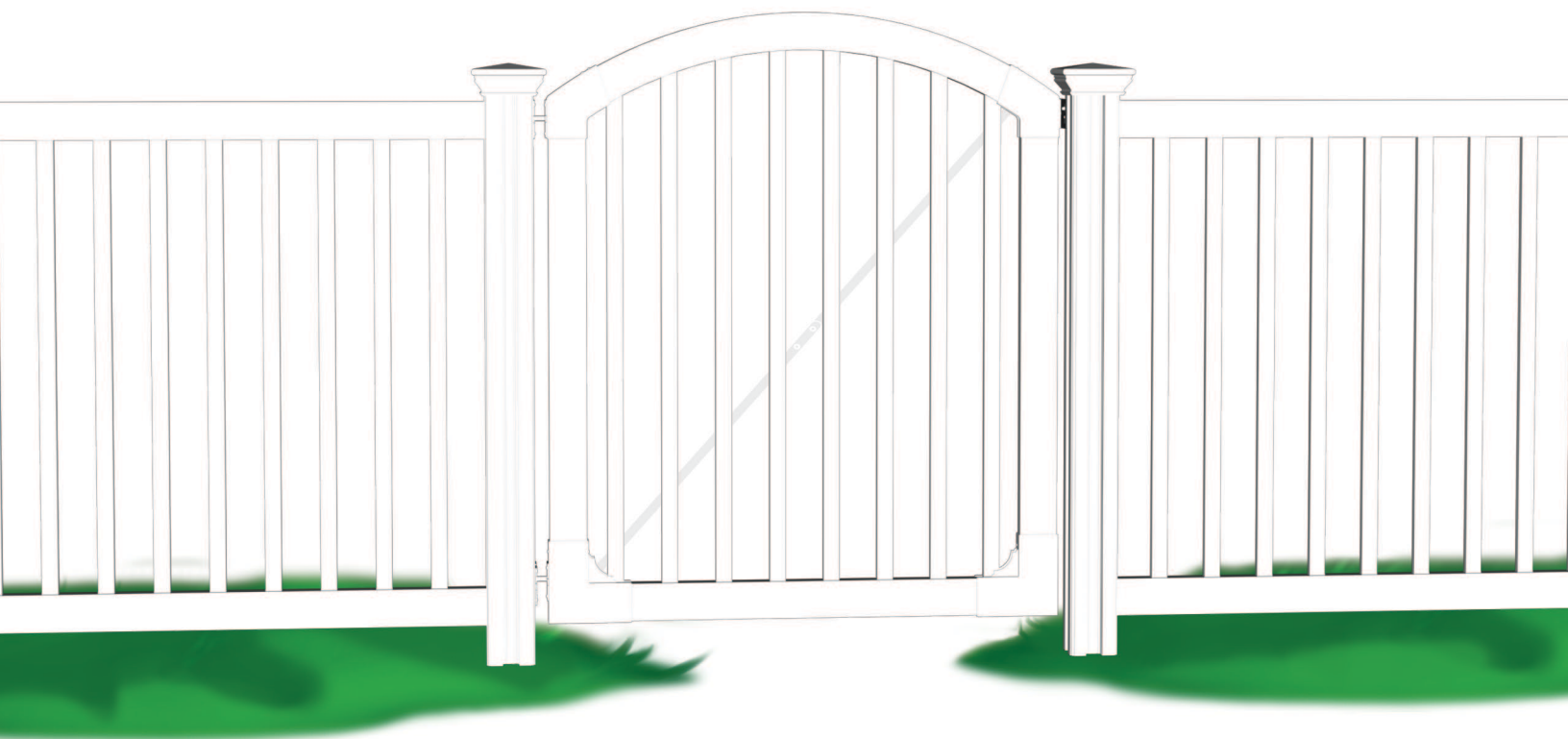
# Yard & Pool Vinyl Gate

**WamBam**  
FENCE

**TRADITIONAL**

**REALLY**

**^ Important stuff to know about  
installing your WamBam gate.**



**1-877-778-5733**

[www.wambamfence.com](http://www.wambamfence.com)

# Yard & Pool Vinyl Gate Reality Check

# WamBam FENCE

## TRADITIONAL

### 1 - Read Over Fence Instructions First

Your gate and fence will work better together as an integrated solution if you first take the time to read and understand your fence instructions.

### 2 - Do a Dry Run First on the Gate Frame Only (not pickets or boards)

Please do not glue or screw your gate frame together until you have first temporarily assembled the gate. In other words, do a dry run first.

This will ensure four things:

- a) *The assembled gate is the correct width as per the product overview drawing.*
- b) *That you have everything necessary to complete the gate.*
- c) *That you will have assembled the gate in the correct order.*
- d) *All the pieces fit and function properly.*

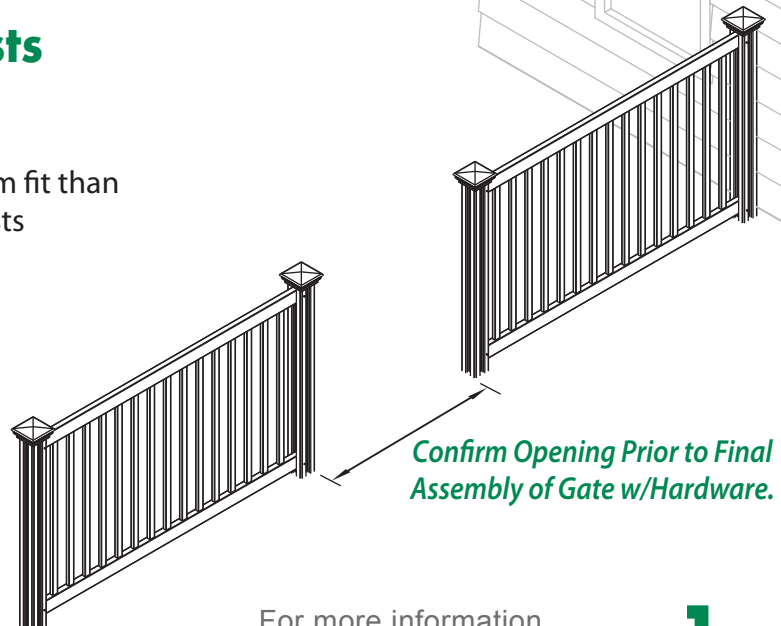
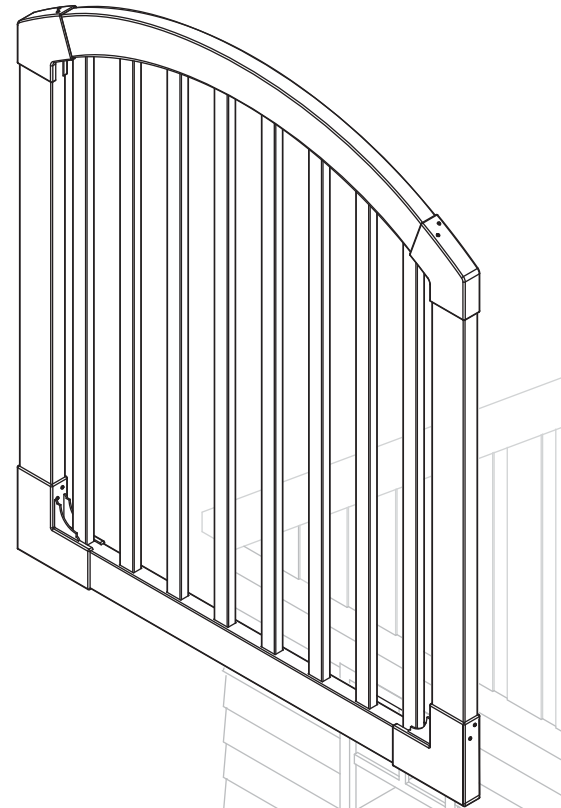
It is easier to trouble shoot when things are not screwed together.

### 3 - Ideally, Install Your Gate Posts Before Your Fence Posts

Your fence panels will be more forgiving for a custom fit than your gate. Ideally, position and install your gate posts before you do anything else, or very early on in the process of setting up your fence run.



**Install Your Gate Posts  
Before Installing Your  
Fence Posts.**

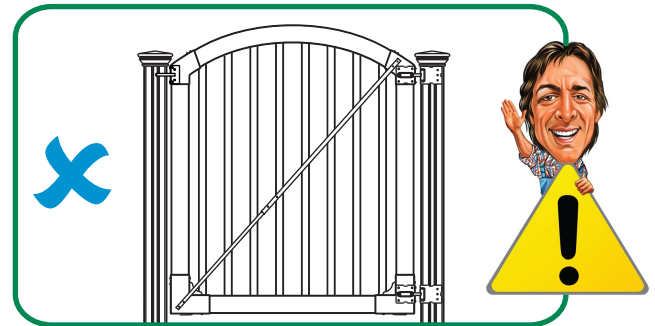
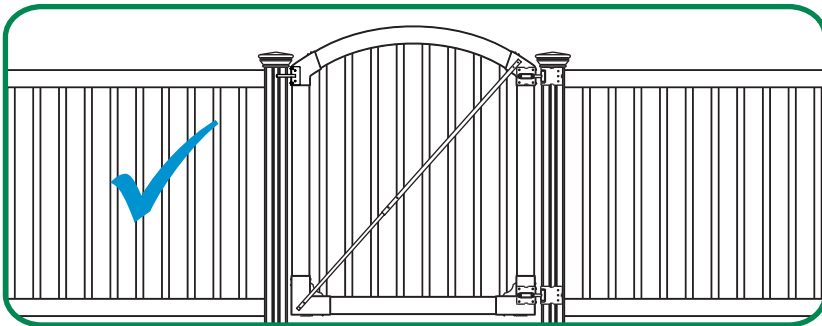


For more information,  
contact us at 1 877-778-5733.

1

### 4 - Ideally, Do Not Hang Your Gate System Off a Single Non-Supported Post.

Your gate will perform better and last longer if your hinge post is connected to a panel of fence which is connected to another post. The weight strain will be transferred unto two posts versus just one. Installing fence panels on both sides of your gate is the ideal in all situations. If this is not possible because of space restrictions, please contact us for alternative solutions to overcome.



*Do Not Hang Gate on Lone Soldier Post.*

### Pool Code Notes

For swimming and other child safety gates, most safety standards specify:

- Your fence height needs to be between 4' and 6' high minimum*
- Your gate needs to open outwards away from the pool*
- Latch releasing mechanism to be minimum 54" off the ground.*

\*The Yard & Pool gate will require a specialized latching system to meet pool code.

Use MagnaLatch Top Pull Hardware (not included).

Magna Latch Top Pull Code is # MLTPS2BGA.

\*Always confirm these and other requirements with the appropriate authorities in your area.

Code will change from one location to another across the country.

### Gate Brace Warning

The gate brace included with this gate may be considered a climbing surface by some pool inspectors and therefore in conflict with pool code. This gate can be assembled and installed without the brace if and when necessary.

# Yard & Pool Vinyl Gate Box Contents

# WamBam FENCE

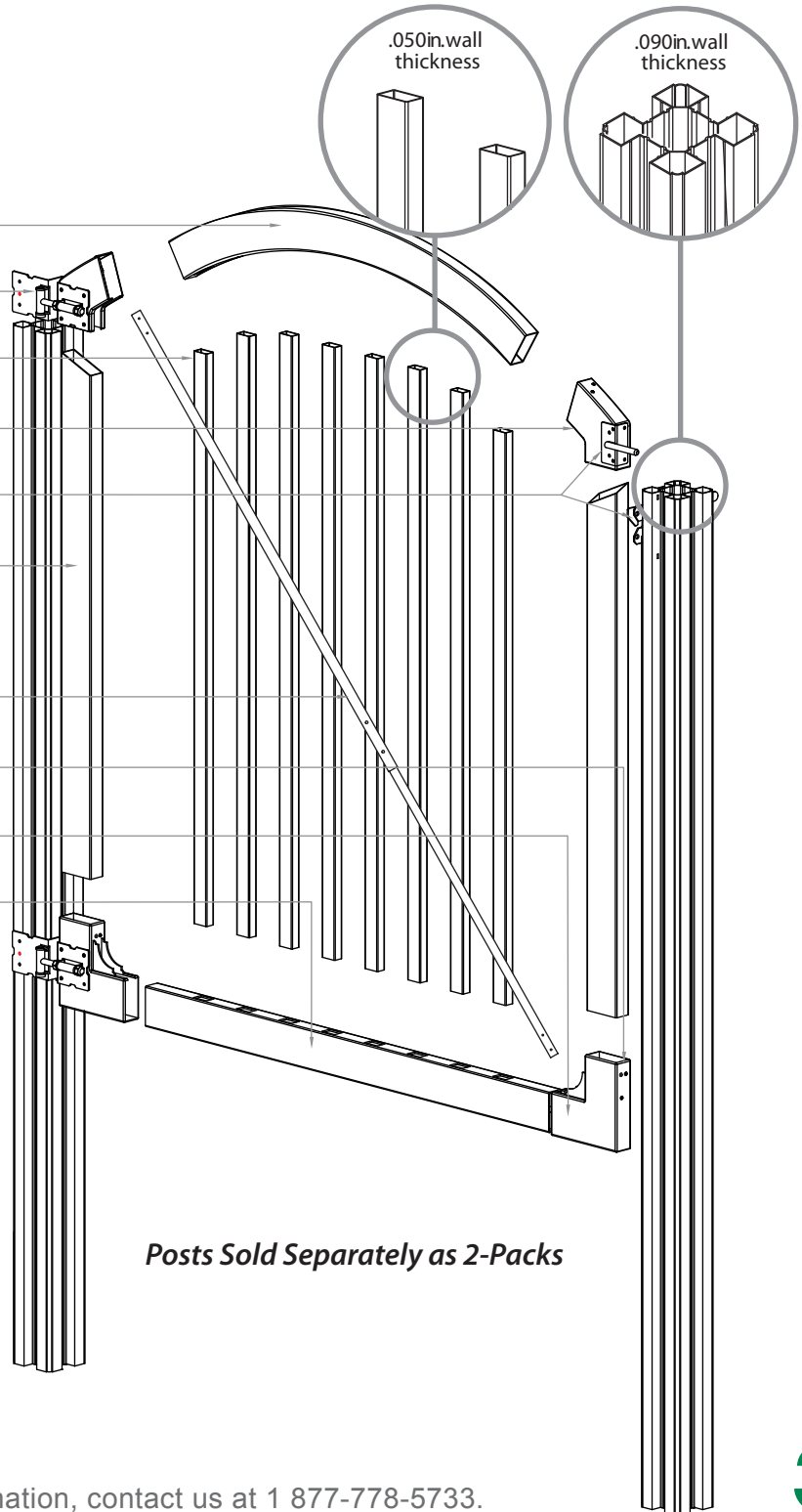
## TRADITIONAL

### Each Gate Box Includes:

- Top Rail (1)
- Gate Hinges (2)
- Pickets (8)
- Arch Brackets (2)
- Gate Latch (1)
- Vertical Stiles (2)
- Tube of Glue (1)
- Gate Brace (1)
- Stainless Steel Screws (16)
- Gate Bottom Brackets (2)
- Bottom Rail (1)

### Sold Separately:

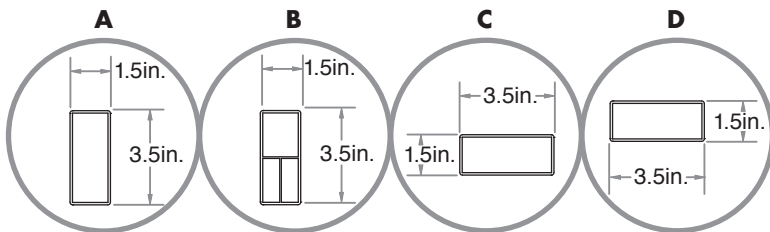
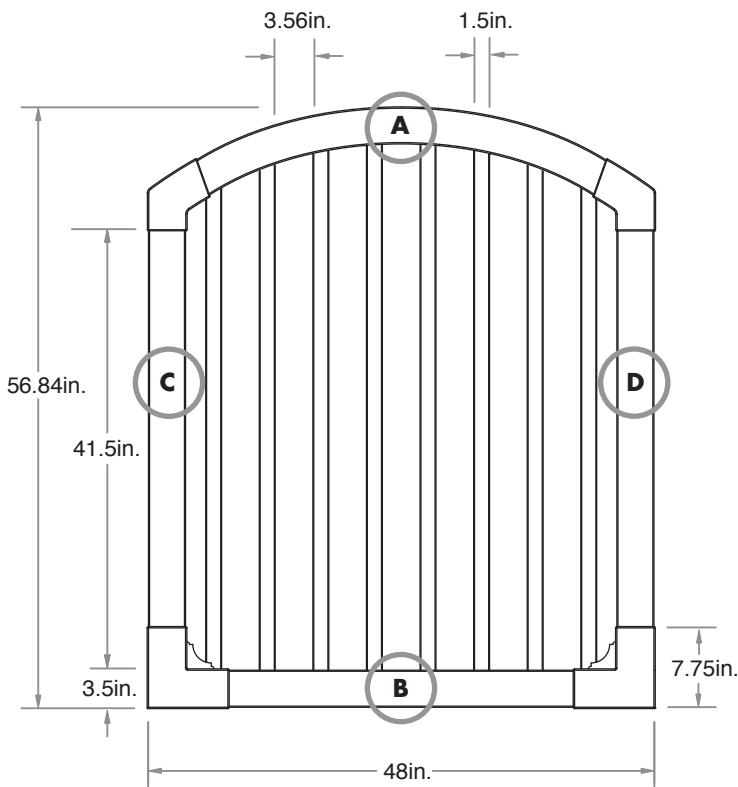
- 6ft. Posts (2-Pack)



For more information, contact us at 1 877-778-5733.

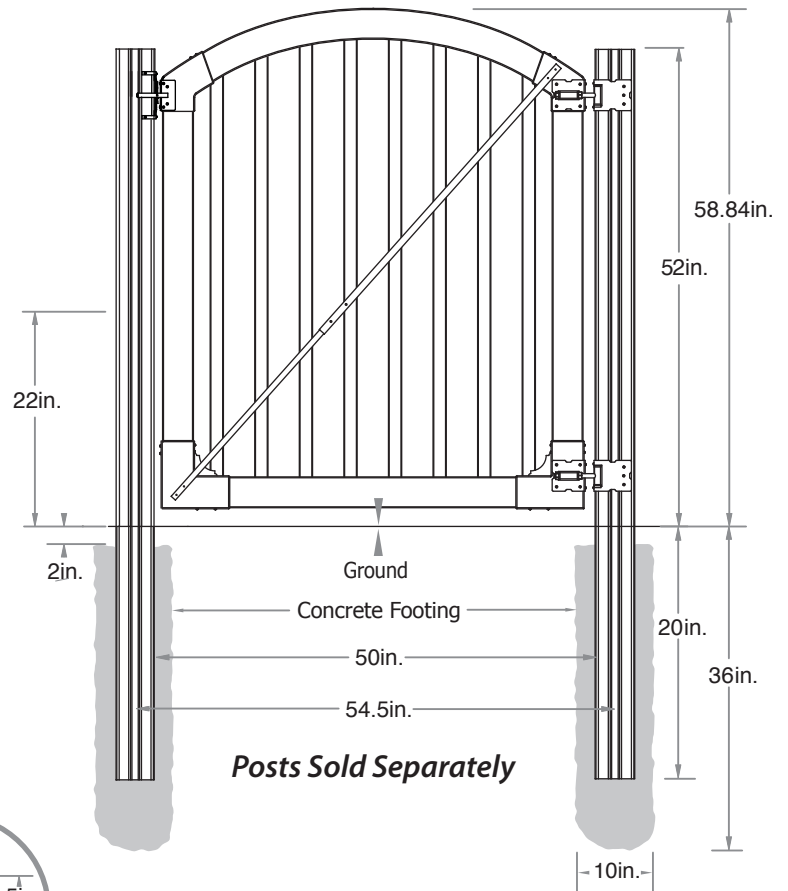
# PRODUCT OVERVIEW

## Gate Assembly



.090in. wall thickness

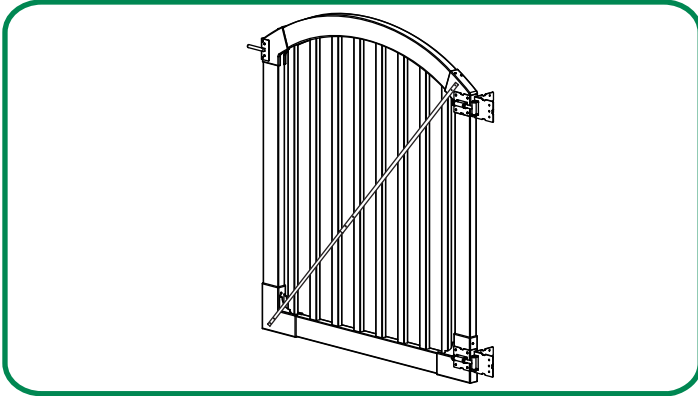
## Gate Installation



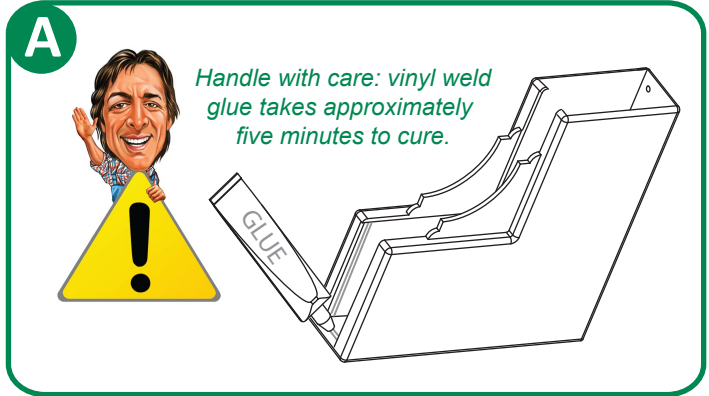
Detailed Installation Instructions

TRADITIONAL

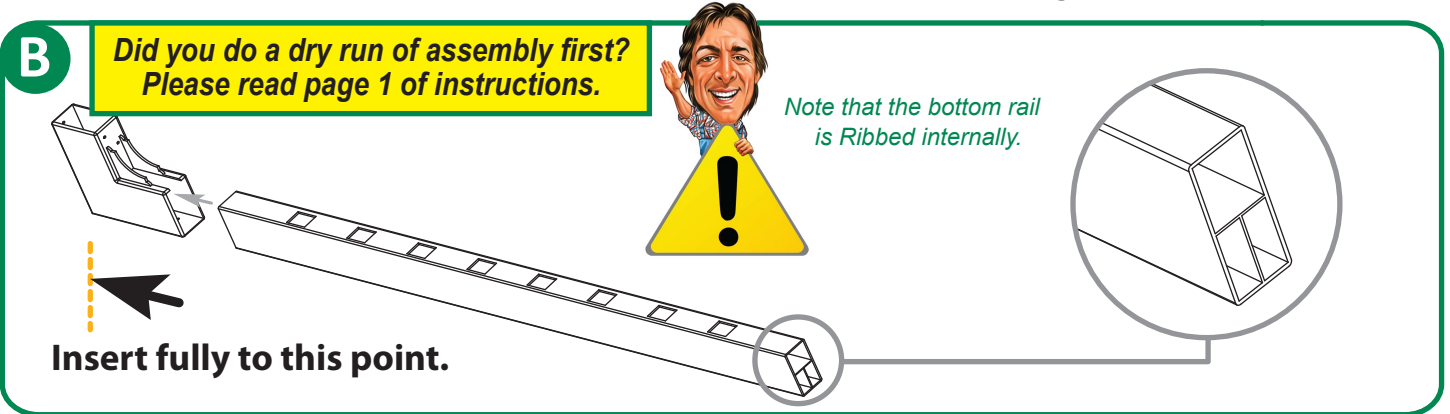
STEP 1 Assemble the Gate Frame Bottom & Sides



Completely assembled gate shown



A - Run bead of vinyl weld continuously around the inside of the gate bracket

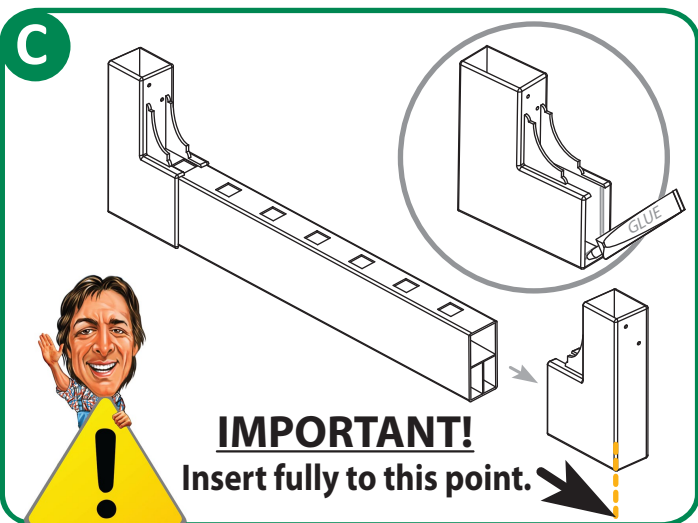


Did you do a dry run of assembly first? Please read page 1 of instructions.

Note that the bottom rail is Ribbed internally.

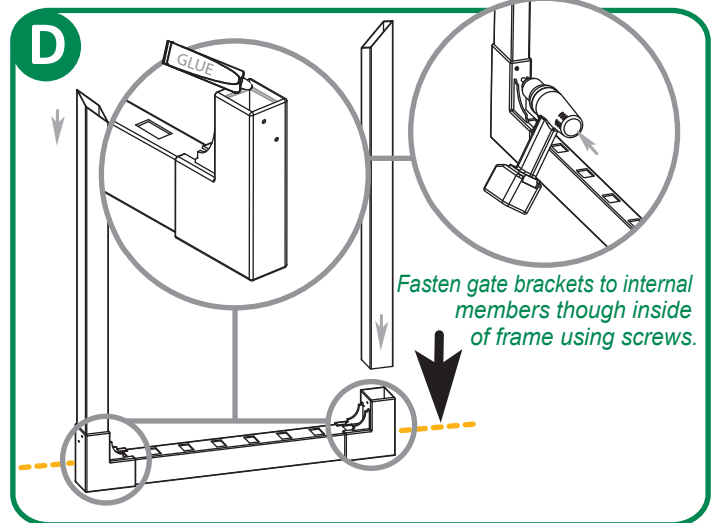
Insert fully to this point.

B - Insert the bottom rail **ALL THE WAY** until it **BOTTOMS OUT** inside gate bracket



**IMPORTANT!**  
Insert fully to this point.

C - Insert the bottom rail **ALL THE WAY** until it **BOTTOMS OUT** INSIDE GATE BRACKET

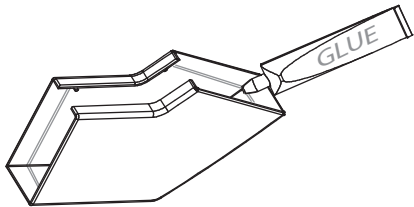


Fasten gate brackets to internal members through inside of frame using screws.

D - Insert vertical gate stiles. They will **BOTTOM OUT** against bottom horizontal rail

**STEP 2** Insert Pickets & Assemble the Gate Frame Top

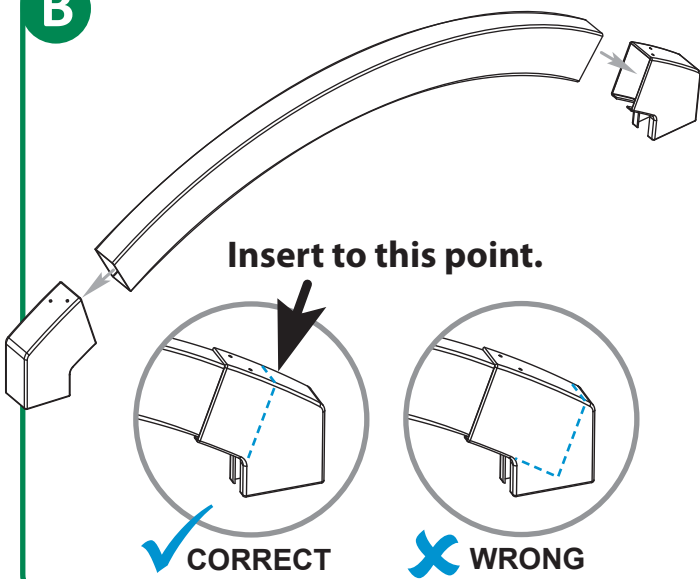
**A**



*Did you do a dry run of assembly first?  
Please read page 1 of instructions.*

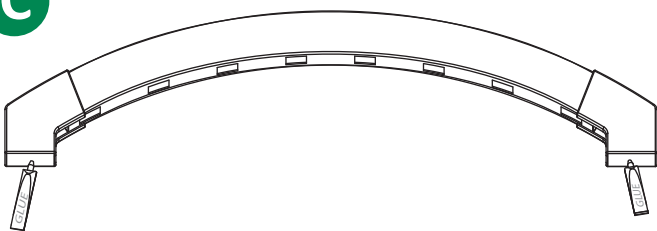
**A - Run bead of vinyl weld continuously around the inside of the gate bracket**

**B**



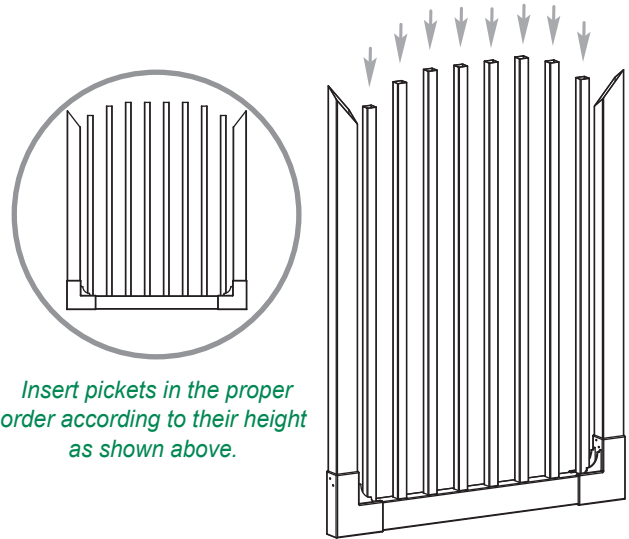
**B - Insert the top rail inside arch brackets as illustrated**

**C**



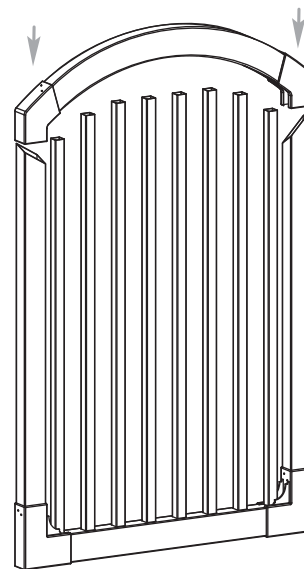
**C - Run bead of vinyl weld continuously around the inside of the gate bracket**

**D**



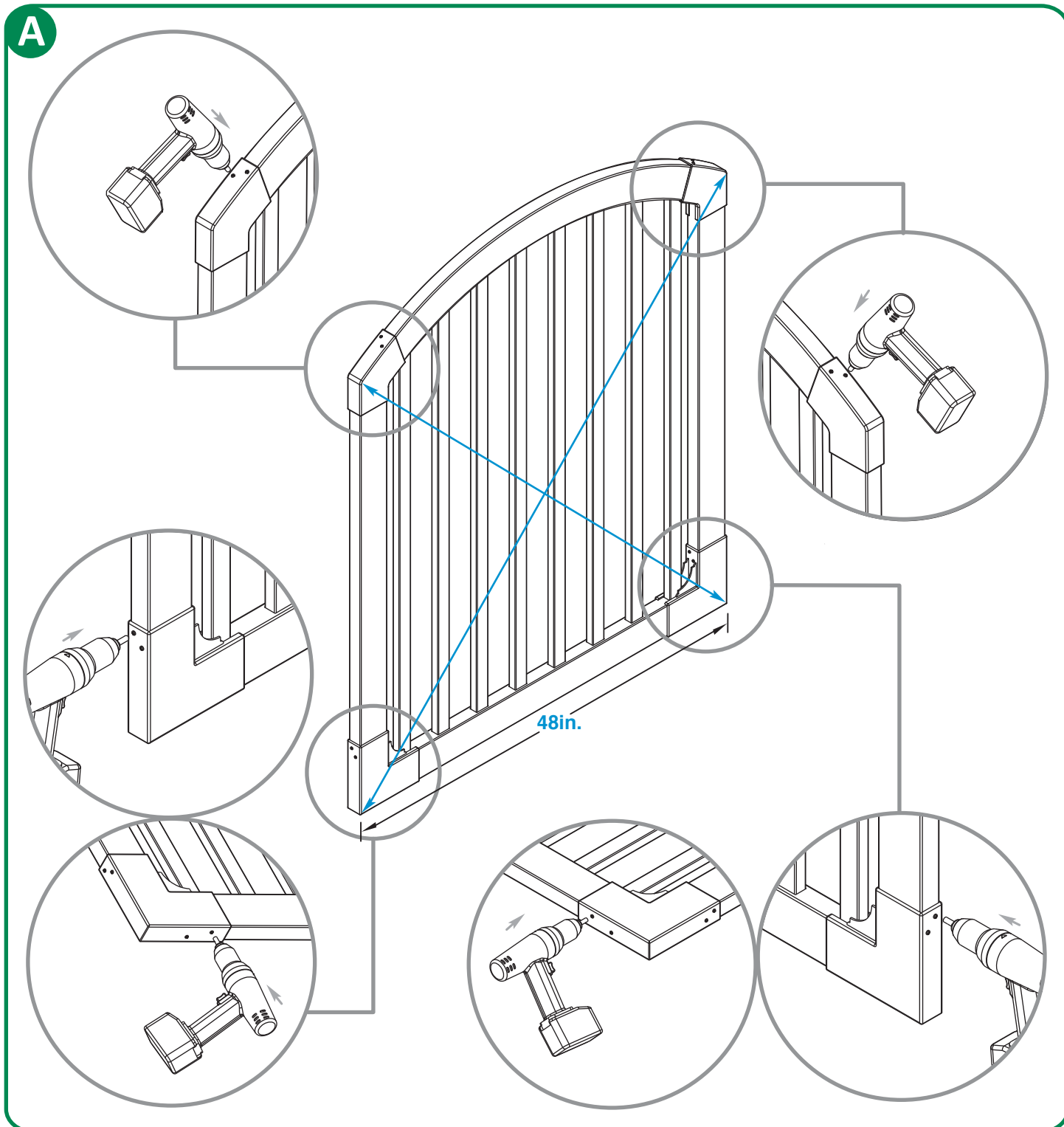
**D - Insert pickets in the proper order through holes in the bottom rail**

**E**



**E - Slide gate arch (with brackets) over the pickets and vertical gate stiles**

**STEP 3** Screw Gate Frame/Brackets



**A - ENSURE YOUR GATE IS SQUARE** and screw brackets as illustrated. The corner-to-corner measurement must be the same, and the width of the gate should be 48".

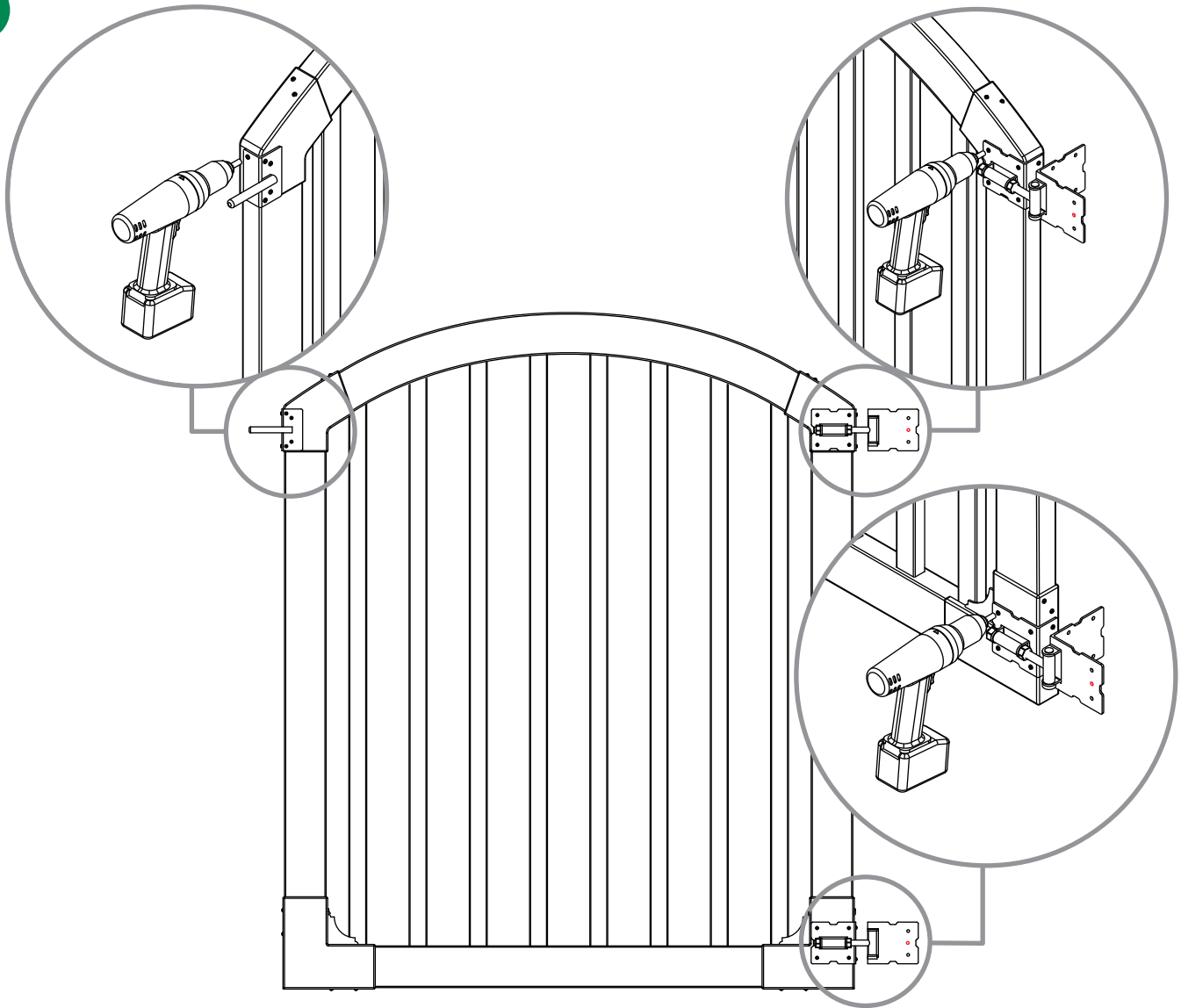
For more information, contact us at 1 877-778-5733.



**STEP 4**

**Fasten Gate Hinges  
& Gate Latch**

**A**



*For swimming and other child safety gates, most safety standards specify:*

- a) Your fence height needs to be between 4' and 6' high minimum*
- b) Your gate needs to open outwards away from the pool*
- c) Latch releasing mechanism to be minimum 54" off the ground.*

**\*The Plain Jane gate will require a specialized latching system to meet pool code. Use MagnaLatch Top Pull Hardware (not included) and Captain Morgan Post Caps Only. MagnaLatch Top Pull Code is # MLTPS2BGA.**

*\*Always confirm these and other requirements with the appropriate authorities in your area. Code will change from one location to another across the country.*

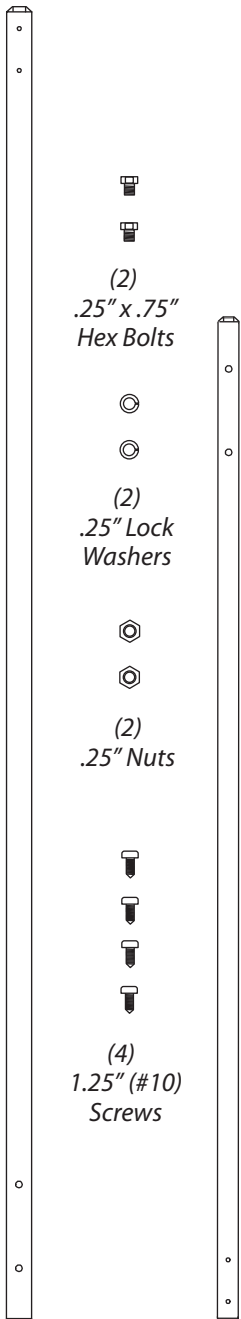
**A - Fasten gate hinges and gate latch onto the gate brackets with screws**

For more information, contact us at 1 877-778-5733.

**STEP 5**

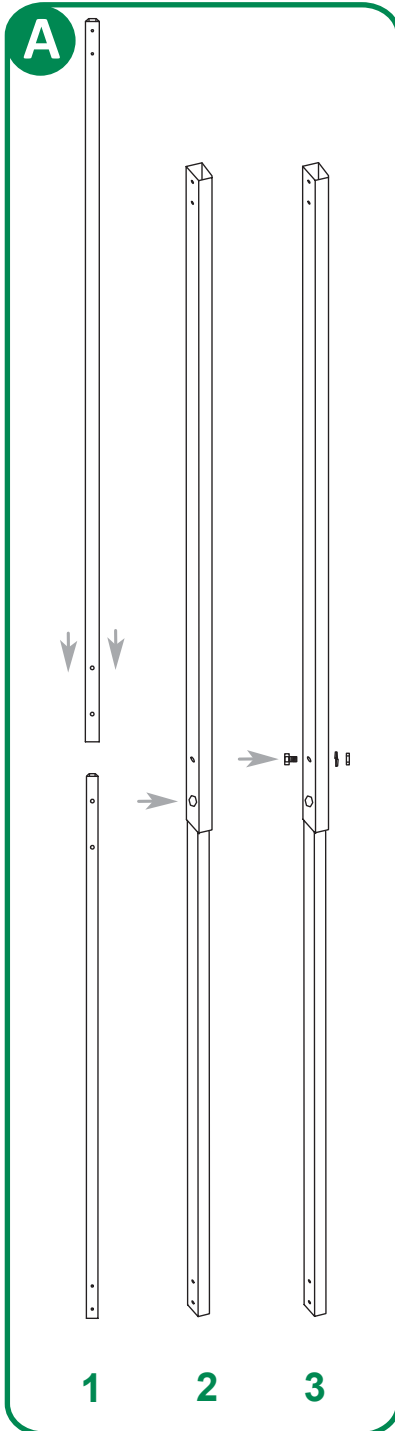
**Assemble & Fasten Gate Brace**

**Gate Brace Parts**

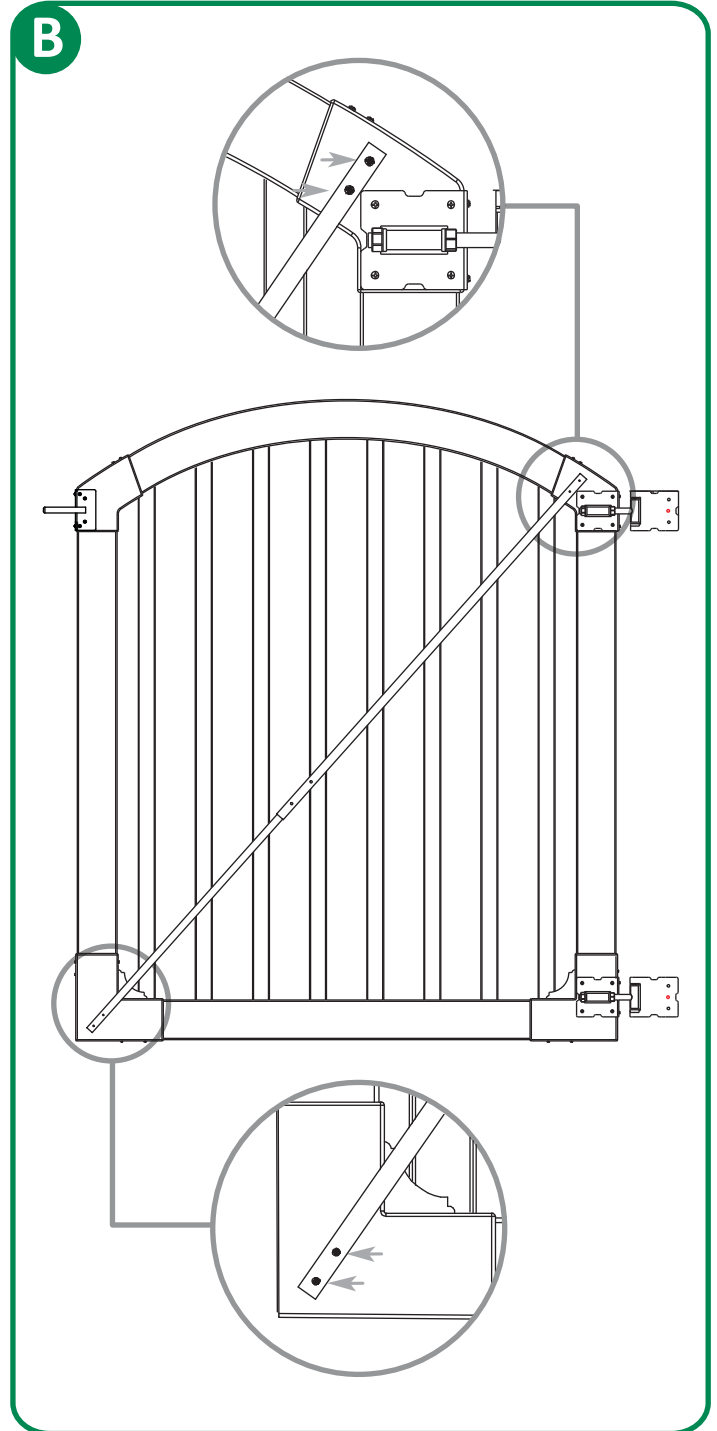


Top Bar

Bottom Bar



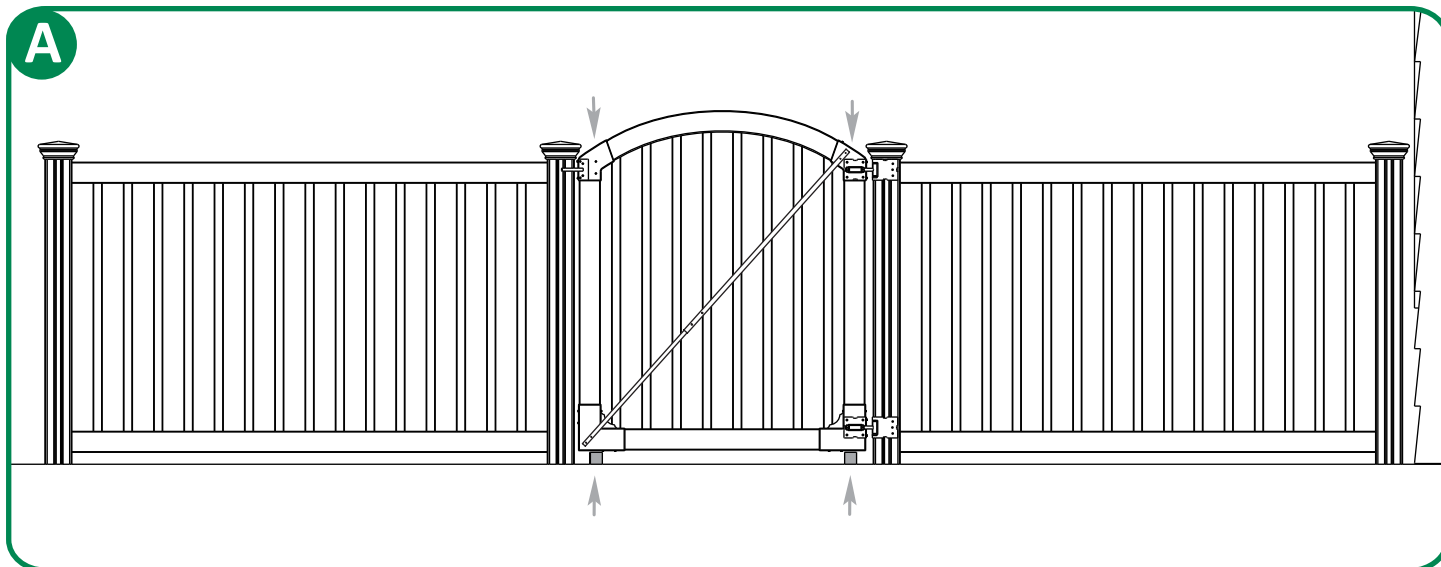
**A - Assemble gate brace with bolts, washers and nuts as necessary.**



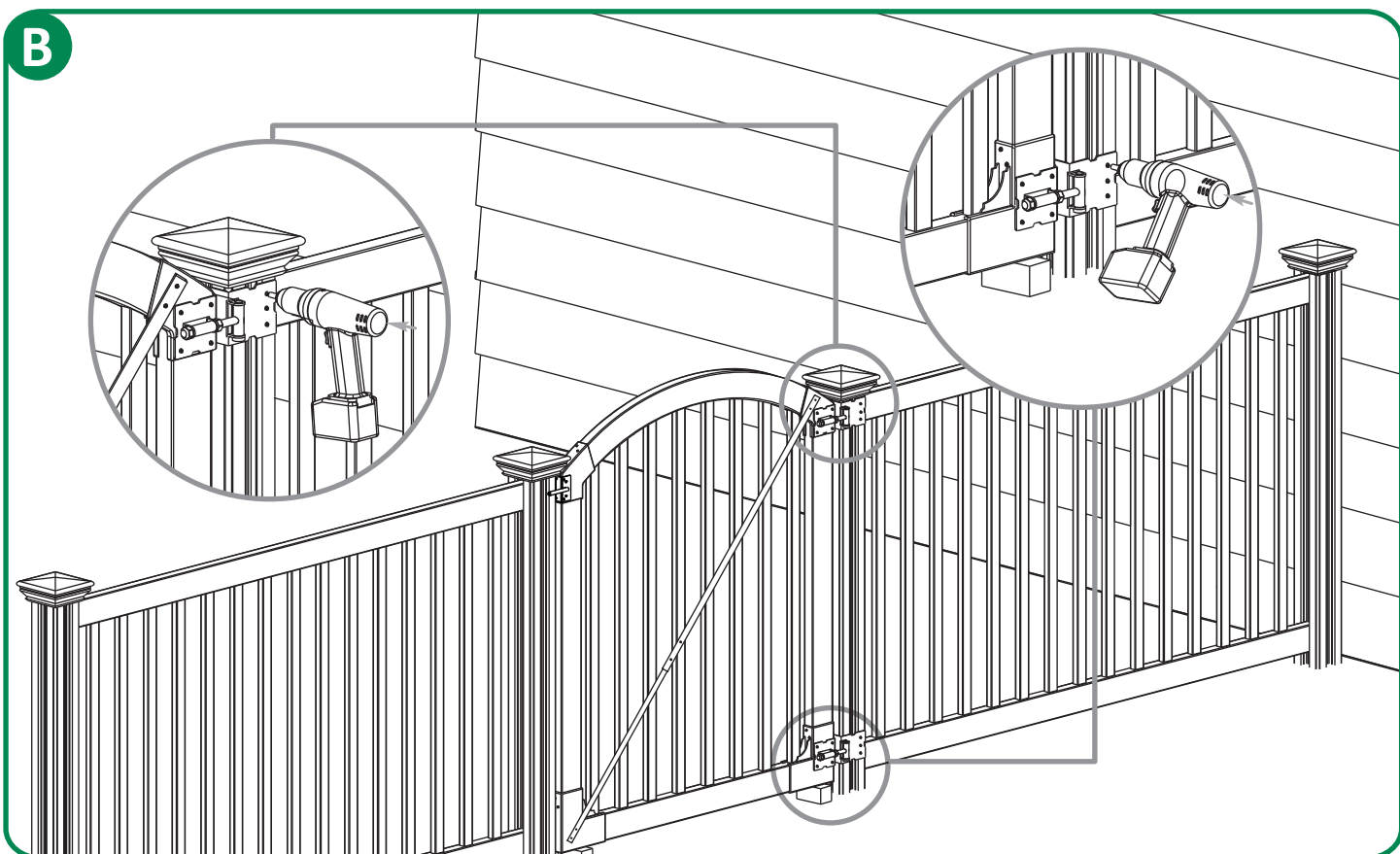
**B - Re-confirm the gate is square, and screw bracing into place.**

**STEP 6**

**Position, Adjust & Align Gate/  
Secure Hinges to Posts**



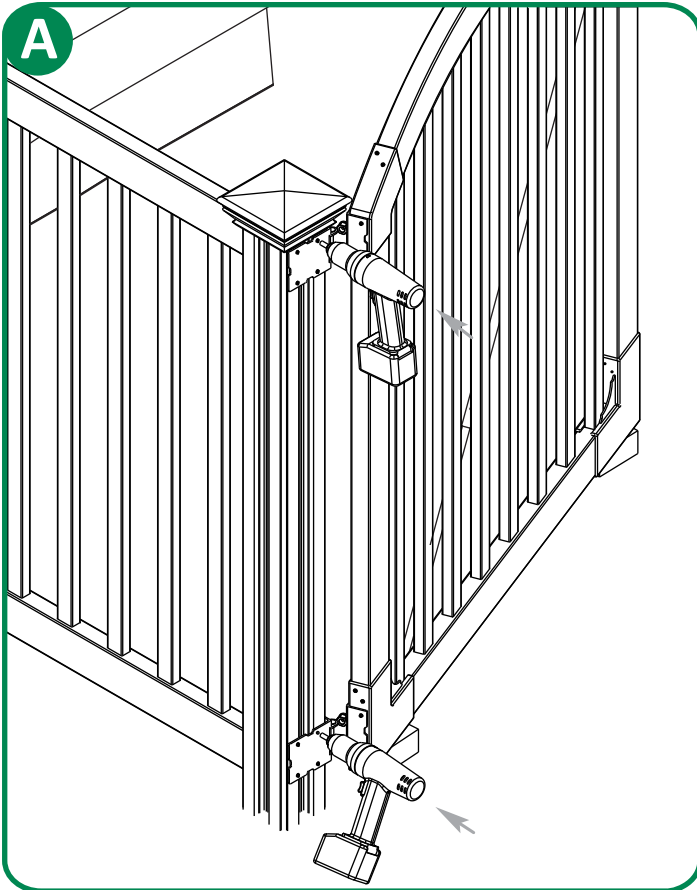
**A - Use temporary spacers or blocks to rest the gate on during alignment and installation**



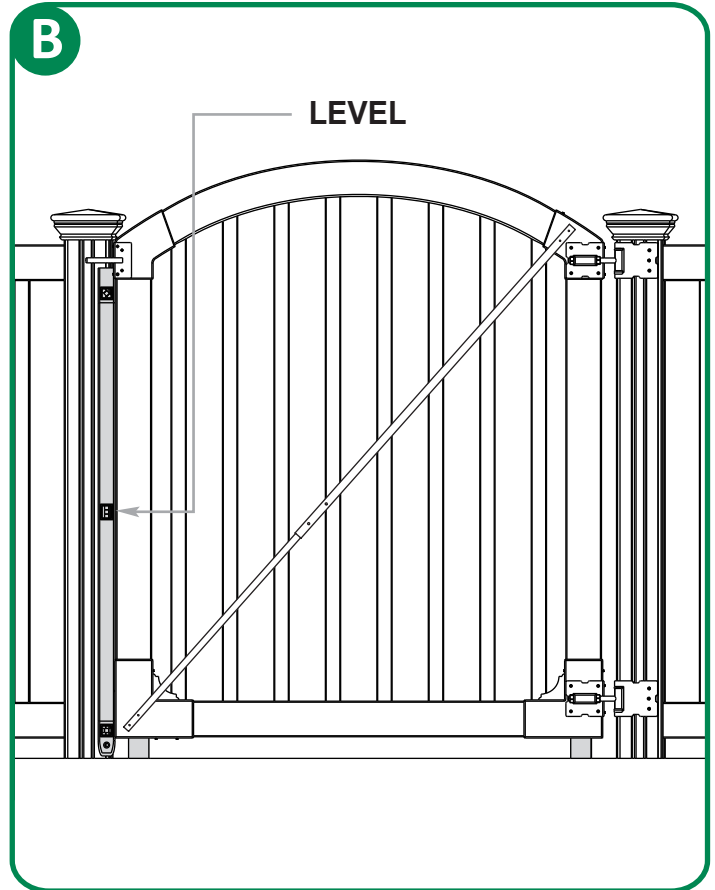
**B - Fasten hinges to posts with screws**

For more information, contact us at 1 877-778-5733.

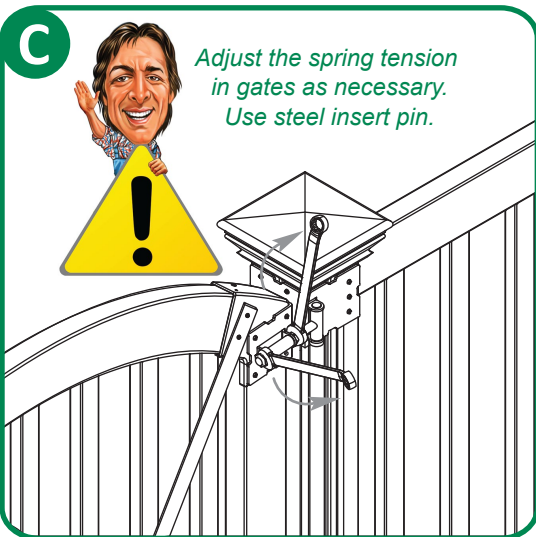
**STEP 7 Level Gate & Adjust Hinges**



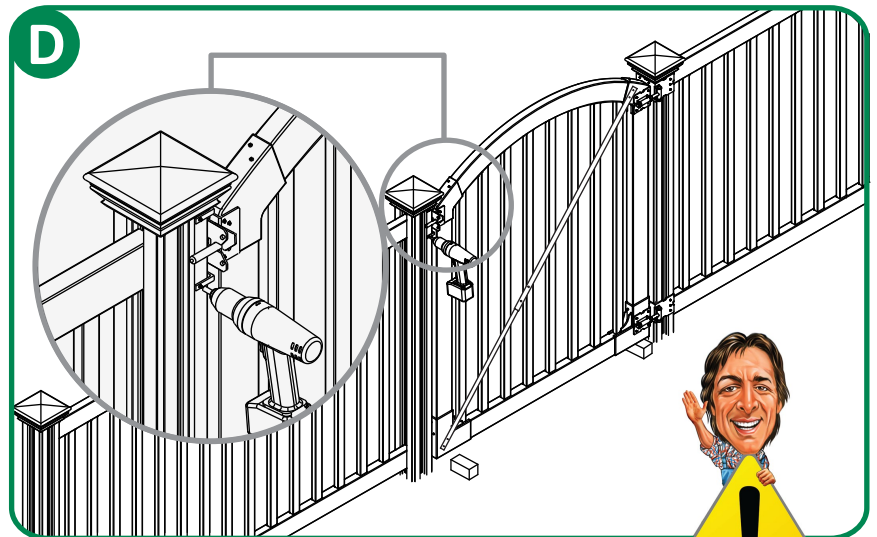
**A - Fasten gate hinges accordingly**



**B - Check for level, fit and function to latching post**

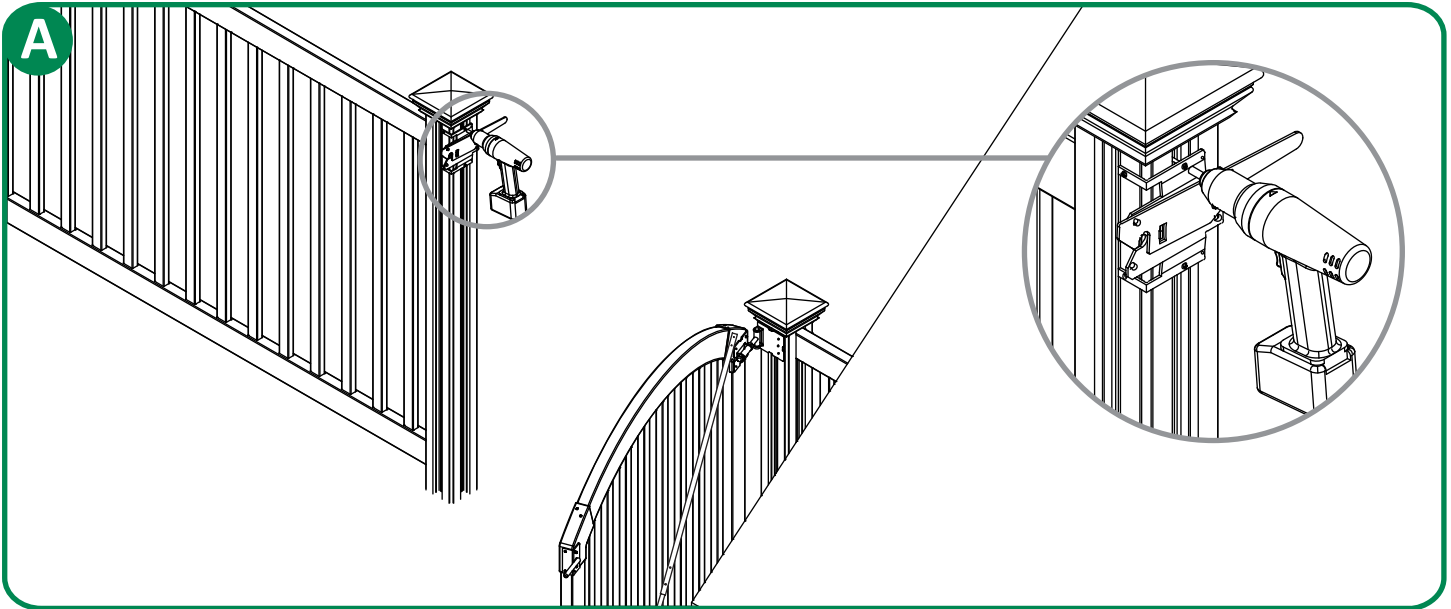


**C - Hinges can be adjusted moderately to bring gate into level alignment with post**



*Latch is designed for left and right hand applications. Temporarily remove the spring, bolt and reverse paddle portion as necessary.*

**STEP 8** Align & Install Latch



A - Align and fasten the gate latch catch to fit and function with the gate finger.

