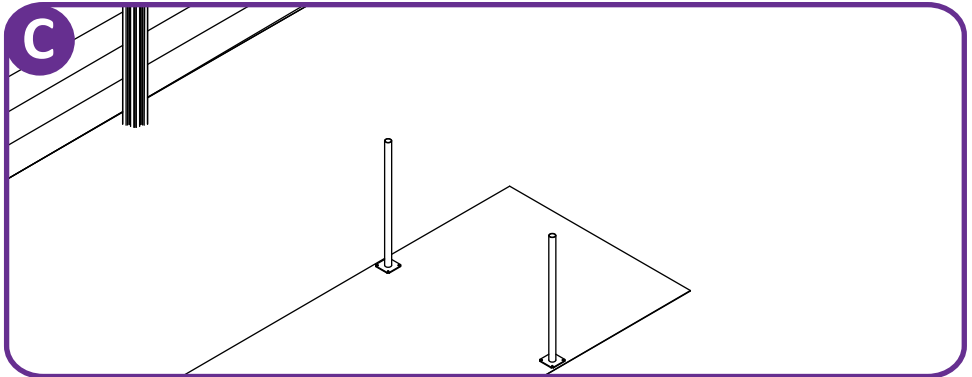
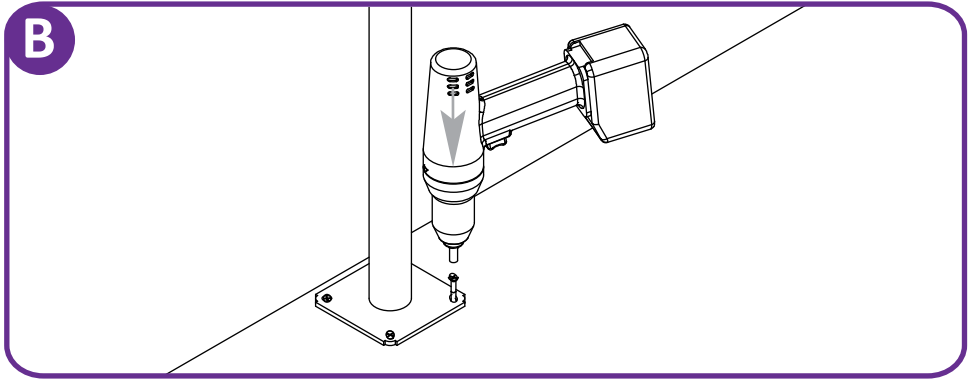
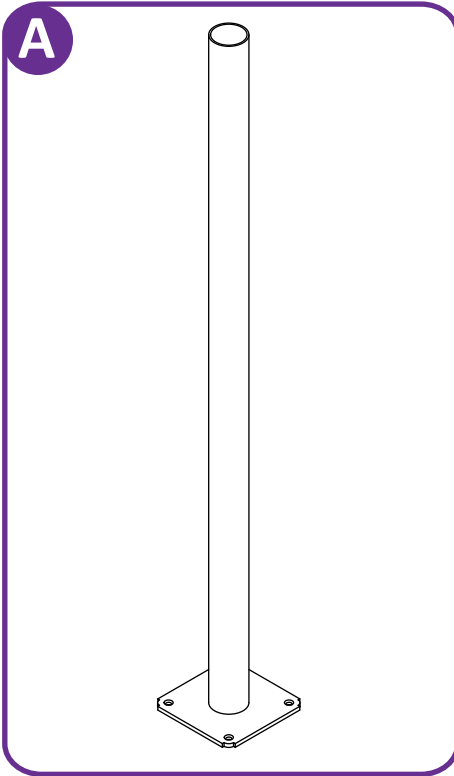


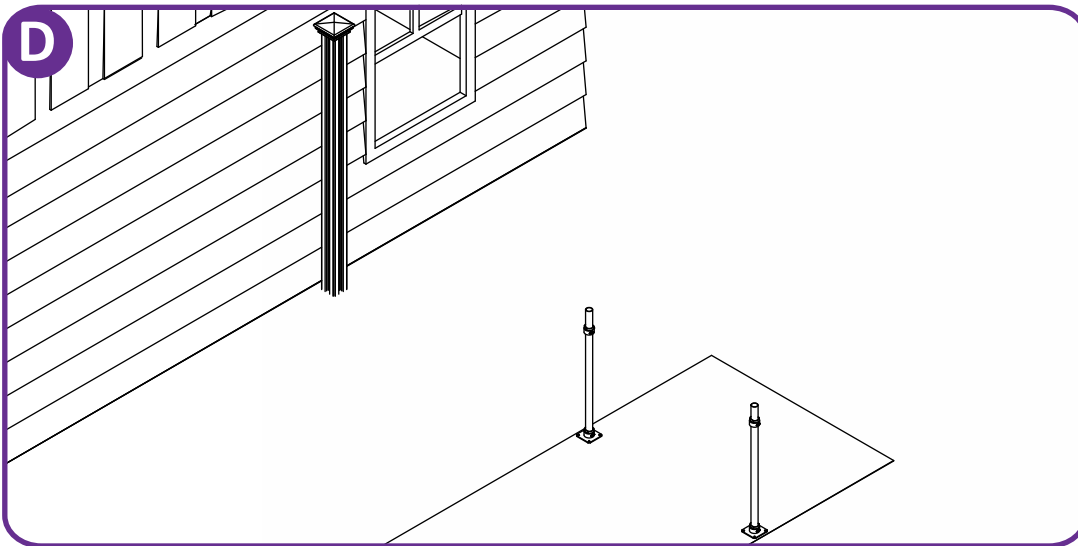
-8-

How do I mount my posts to a concrete or wood surface?



Any WamBam vinyl fence can be mounted to a wood, or concrete surface using our surface mounts.

Use concrete screws and hammer drill (if concrete surface) to drill and mount.



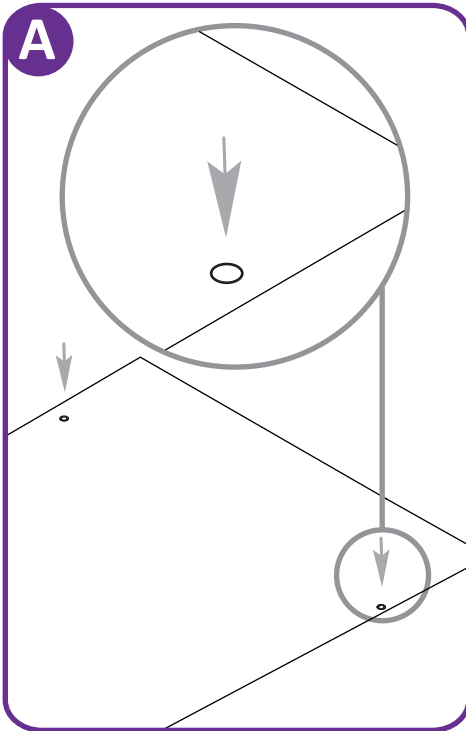
Leveling donuts can be adjusted to compensate for uneven mounting surfaces (see fence or gate instructions).

www.wambamfence.com

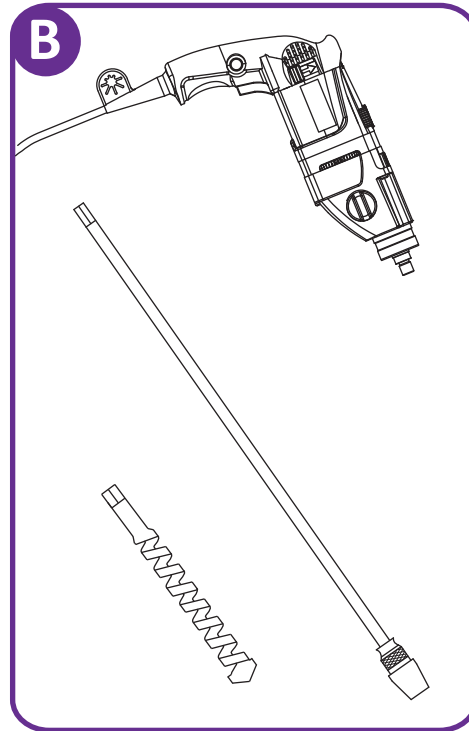


OPTION 2 - Drill Directly Through Concrete

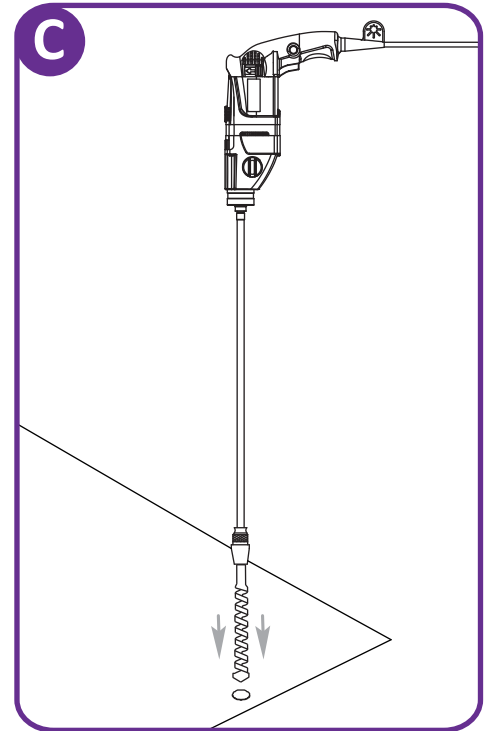
If concrete is less than 4in. thick, you may want to attempt drilling directly through it as illustrated below.



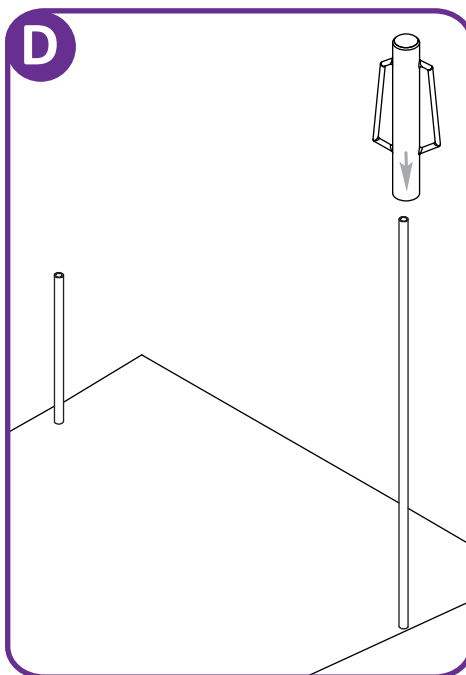
Mark holes for drilling.



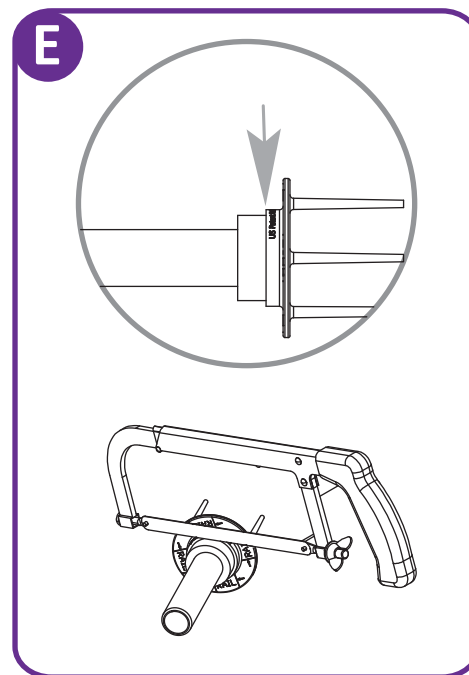
Use a 1 5/8in. concrete drill bit, extension if needed, and a concrete hammer drill.



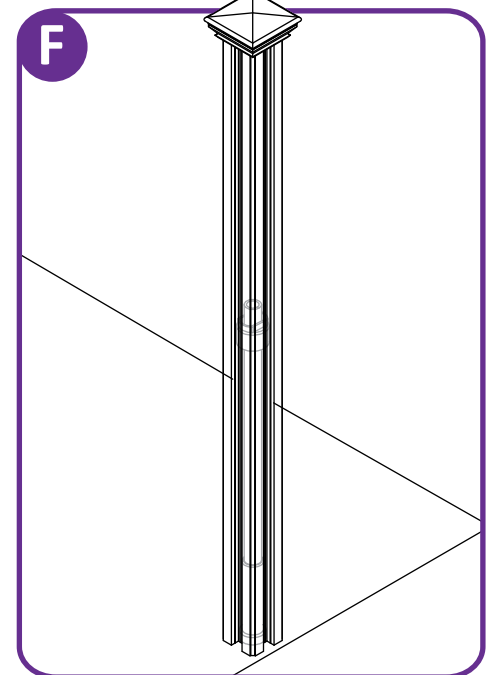
Drill both pre-marked holes completely through concrete.



Pound anchors through holes in concrete to a depth of approx 32in. to 36in.



Trim Anchor Positioner along bottom edge.



If necessary, see fence instructions for more information on how to install anchors, adjust leveling donuts and install aluminum posts.