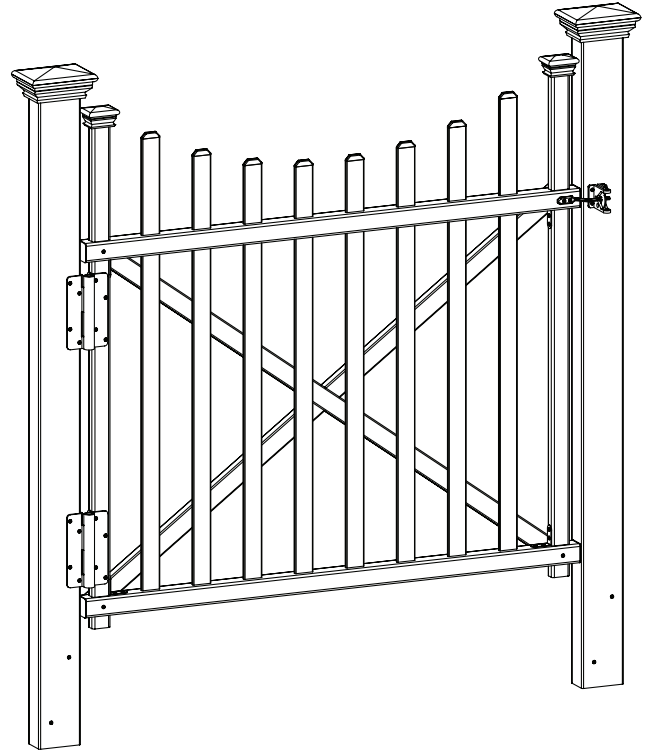
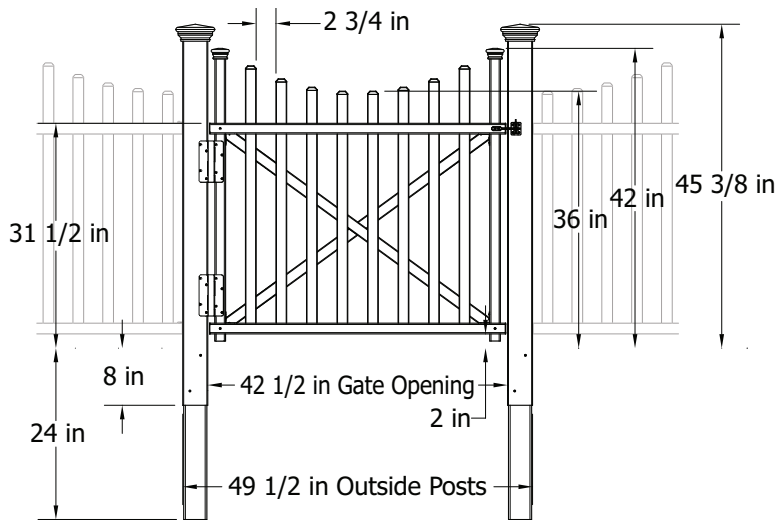




ZIPPITY
Easy Does It!

ASSEMBLY INSTRUCTIONS



MANCHESTER VINYL PICKET GATE WITH POSTS (42" H X 42" W)

60 MIN Approximate assembly time



6935 Reames Rd. Ste. K. Charlotte, NC 28216



support@zippity-outdoor.com



704-892-5222 / 877-234-6196



zippity-outdoor.com

Want to see a video on how to assemble this product? Scan the code below!



GENERAL INFORMATION



IMPORTANT

- Please read through before starting assembly.
- Important: Check the inside of the larger pieces in your box for other materials packed inside.
- When assembling components, place on a non-abrasive surface (i.e. shipping box) to avoid scratching.
- We recommend an area approximately 5'x 8' for unobstructed assembling.
- You should not need to use excessive force when assembling components.

MISSING OR DAMAGED PARTS?

VISIT OUR WEBSITE FIRST, SO WE CAN HELP YOU RIGHT AWAY!

Although great care has been taken to ensure proper packaging and handling of this product, occasionally problems occur. If you discover any missing, damaged or defective parts, please visit our website to order replacement parts. If you experience any further trouble with your product, please contact our customer service department.

WEBSITE: nychgroup.com/parts

EMAIL: support@zippity-outdoor.com

PHONE: 704-892-5222 / 877-234-6196

Customer service agents are available to take calls weekdays from 8am-5pm EST. If you call outside of business hours, please leave a voicemail.

To help you quickly and accurately, please have reference item number [ZP19019](#) and the specific part name which can be found on the next page. It is helpful if you can provide the batch lot which is a stamped number on the end of the box.

NEED ASSEMBLY HELP?

If you are having problems with the assembly or installation of this product, we are happy to assist you with the process, so please give us a call at 704-892-5222 / 877-234-6196.

NEED TO RETURN?

If for some reason you need to return this product, please allow us to help resolve your issues first. If you still decide to return the product, you will need to initiate the return from the company you originally purchased from.

GENERAL INFORMATION

1. Read over fence instructions first.

Your gate and fence will work better together if you first take the time to read and understand your fence.

2. Pre-Assemble the gate frame.

Please do not screw the gate frame together until you have temporarily assembled the gate frame. In other words, do a dry run first. This will ensure:

1. That you have everything necessary to complete the gate.
2. That you will have assembled the gate frame in the correct order.
3. **All of the pieces fit and function properly.**
4. The gate height and width are similar to the measurements shown on page one.

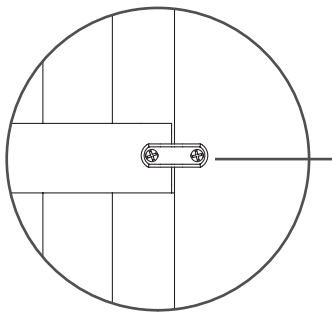
It's easier to troubleshoot when things are not screwed together. After you assemble your gate correctly, please disassemble as necessary, and use the screws included to permanently assemble the gate.

3. Install your gate posts before your fence posts.

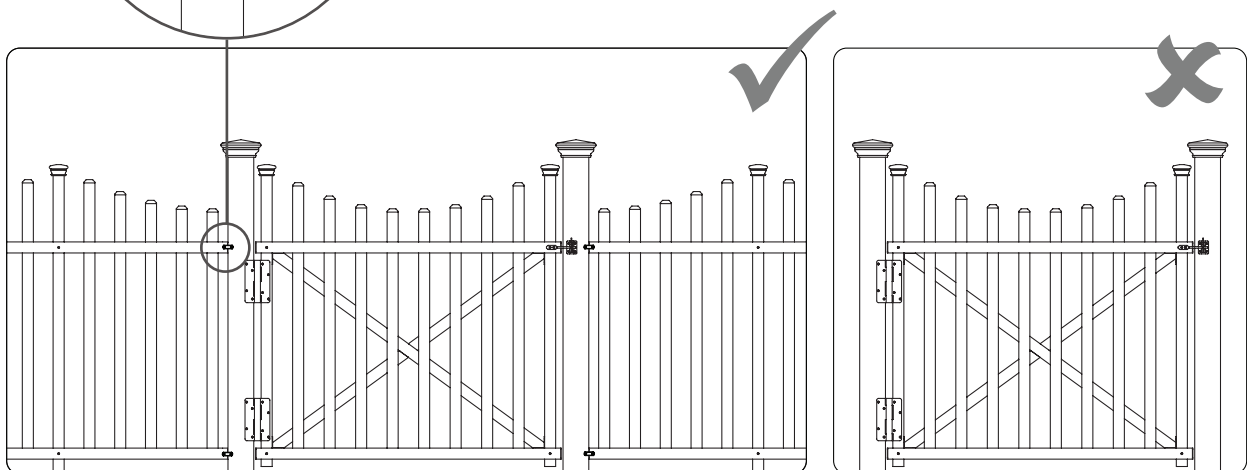
Your fence panels will be more forgiving for a custom fit than your gate. Position and install your gate posts before you do anything else.

4. Do not hang your gate system off a single non-supported post.

Your gate will perform better and last longer if your hinge post is connected to a panel of fence that is connected to another post. This way, the weight strain will be transferred onto two posts versus just one. Installing fence panels on both sides of your gate is ideal in all situations. If this is not possible because of space restrictions, please contact us for alternative solutions.

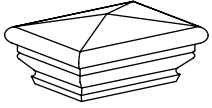


Use Joiner Clips (included with Manchester Vinyl Picket Fence - ZP19018) to attach the gate to the panel posts.



STEP 1: LAY OUT MATERIALS

A



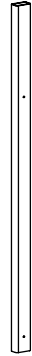
Post Cap (2)

B



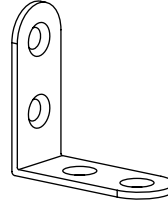
Post (2)
2" x 3 1/2" x 52"

C



Vertical Rail (2)
7/8" x 1 1/2" x 40 1/2"

J



L Bracket (4)

K



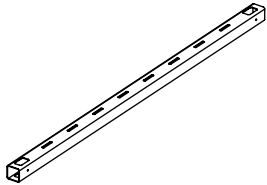
5/8" Self-Drilling
Stainless Steel
Screw (27)

L



2" Self-Drilling Stainless
Steel Screw (4)

D



Top Rail (1)
1 1/2" x 1 1/2" x 41 3/8"

E



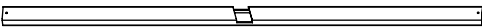
Picket (8)
#1(2) - 1/4" x 1 1/2" x 37 1/2"
#2(2) - 1/4" x 1 1/2" x 35 5/8"
#3(2) - 1/4" x 1 1/2" x 34 1/2"
#4(2) - 1/4" x 1 1/2" x 33 7/8"

M



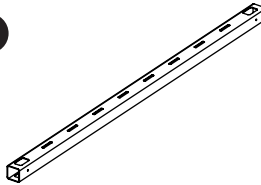
1/2" Black Self-Drilling
Stainless Steel Screw (30)

F



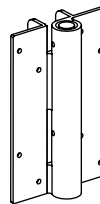
Gate Brace (2)
7/8" x 1 1/2" x 48 3/8"

G



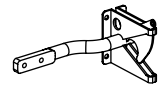
Bottom Rail (1)
1 1/2" x 1 1/2" x 41 3/8"

N



Gate Hinge (2)

O



Gate Latch (1)

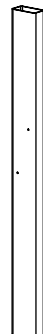
NOT INCLUDED

H

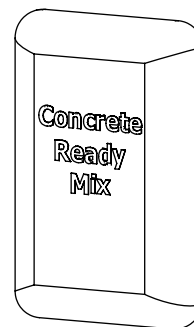


Vertical Rail Post
Cap (2)

I



Post Extension (2)
1 3/4" x 3 1/4" x 36"

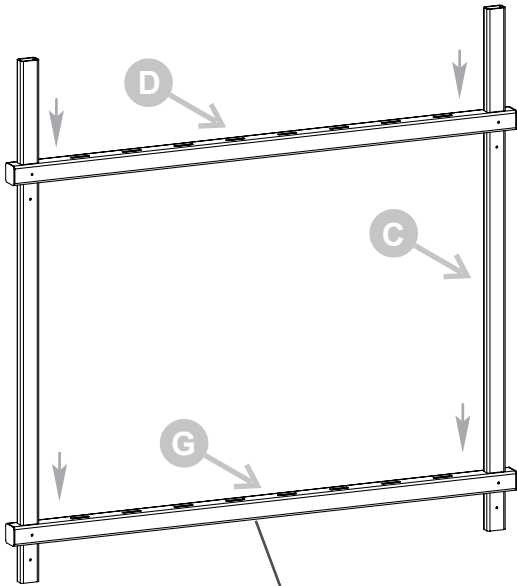


2 Bags of Pre-
Mix Concrete

STEP 2: ASSEMBLE GATE FRAME

STEP 2.1

Slide the top (D) and bottom (G) rails down over the two vertical rails (C) as shown.

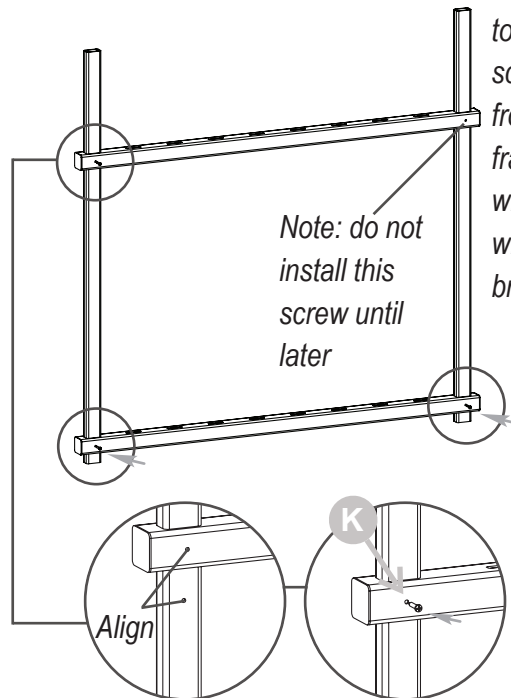


Note: the underside of the bottom rail does not have picket holes.

STEP 2.2

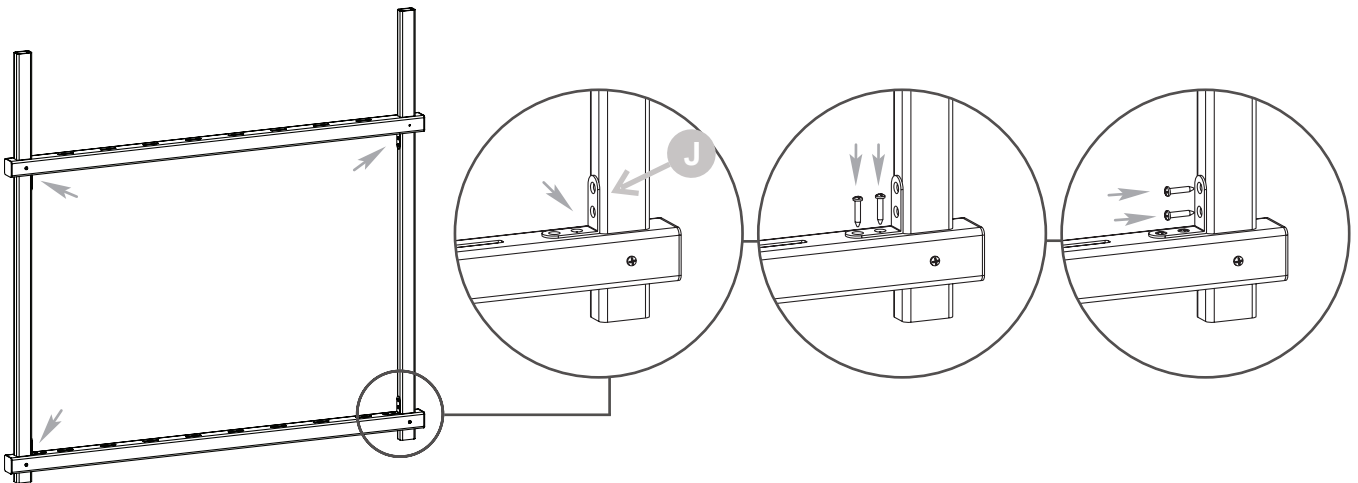
Align the pre-drilled holes in the top and bottom rails with the pre-drilled holes in the posts. Fasten to posts with (2) $\frac{5}{8}$ " self-drilling stainless steel screws (K) for the bottom rail and (1) $\frac{5}{8}$ " self-drilling stainless steel screw for the top rail. Leave the last pre-drilled hole empty for now.

Note: Be sure to only install screws on the front of the gate frame. The back will be secured with the gate braces later.



STEP 2.3

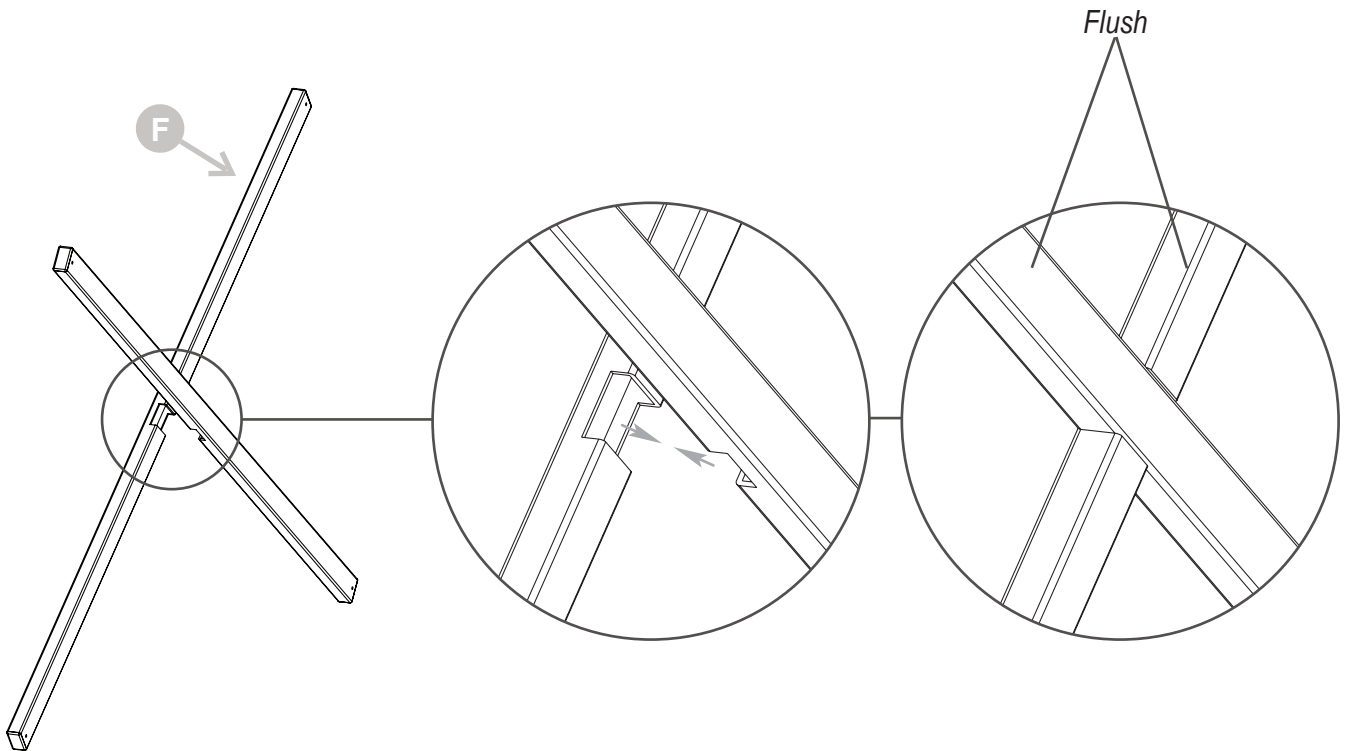
Place an L bracket (J) on an inside corner of the gate frame as shown. Fasten the L bracket to the top/bottom rail and the vertical rail with (4) $\frac{5}{8}$ " self-drilling stainless steel screws. Repeat for all four corners.



STEP 3: ASSEMBLE AND ATTACH GATE BRACES

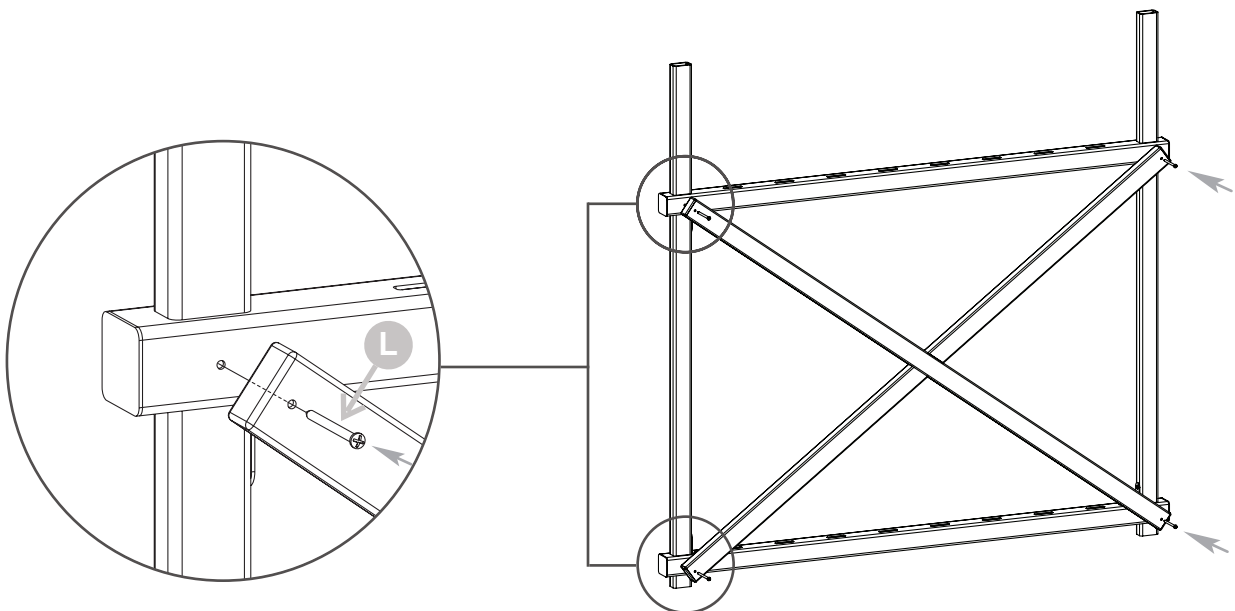
STEP 3.1

Fit the gate braces (F) together as shown. The two gate braces should nest together tightly to create an "X" pattern.



STEP 3.2

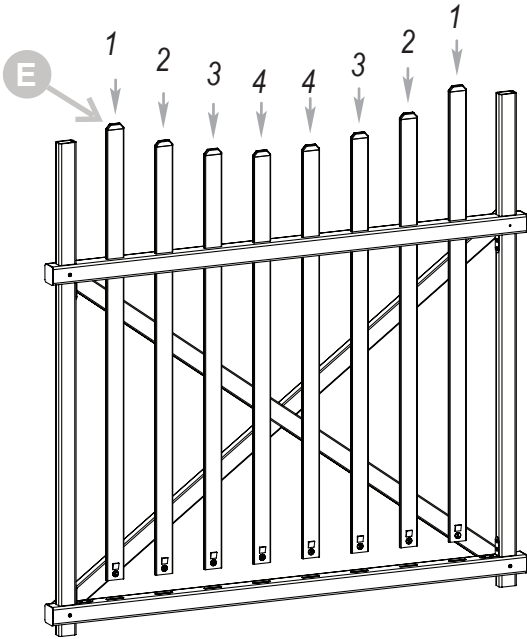
On the back of the gate frame (the side with no screws), align the pre-drilled holes on the gate braces with the pre-drilled holes on the top and bottom rails. Fasten together with (4) 2" self-drilling stainless steel screws (L).



STEP 4: FINISH GATE ASSEMBLY

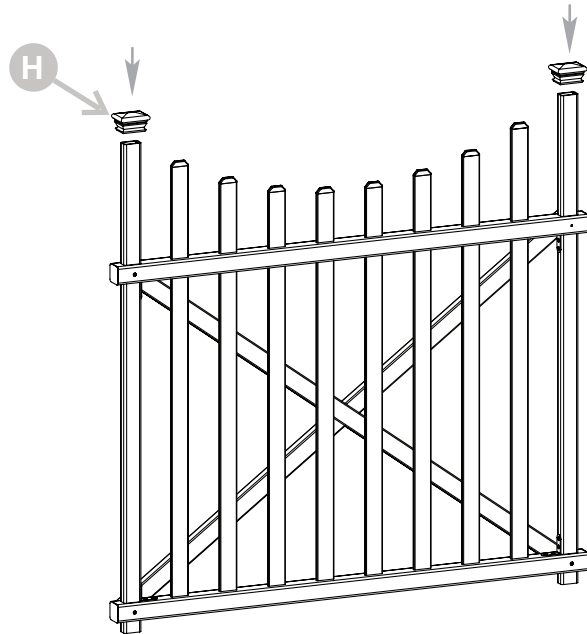
STEP 4.1

Insert pickets (E) down through the top rail and into the bottom rail. Follow the pattern as illustrated.



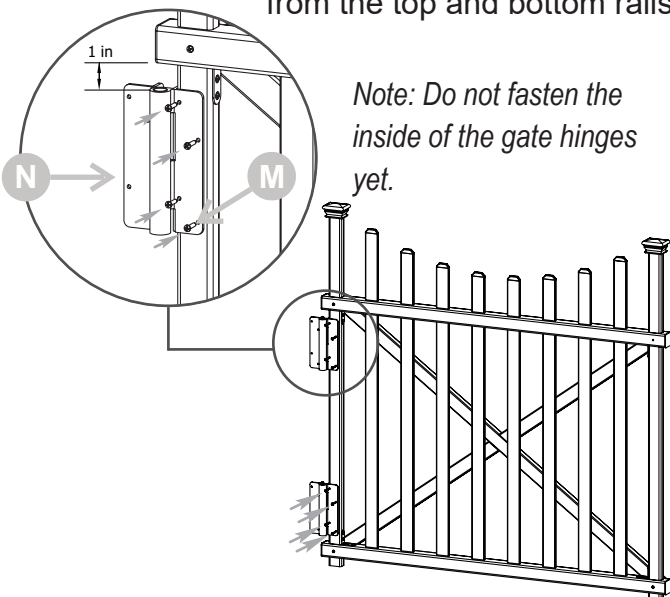
STEP 4.2

Pressure fit the two vertical rail post caps (H) to the vertical rails as shown.



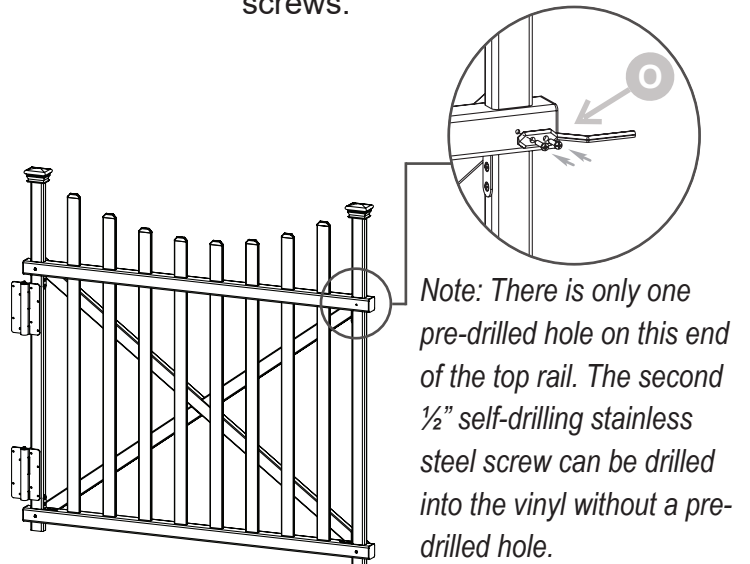
STEP 4.3

Fasten the gate hinges (N) to one side of the gate with (8) ½" black self-drilling stainless steel screws (M) as shown. The gate hinges should be about 1" away from the top and bottom rails.



STEP 4.4

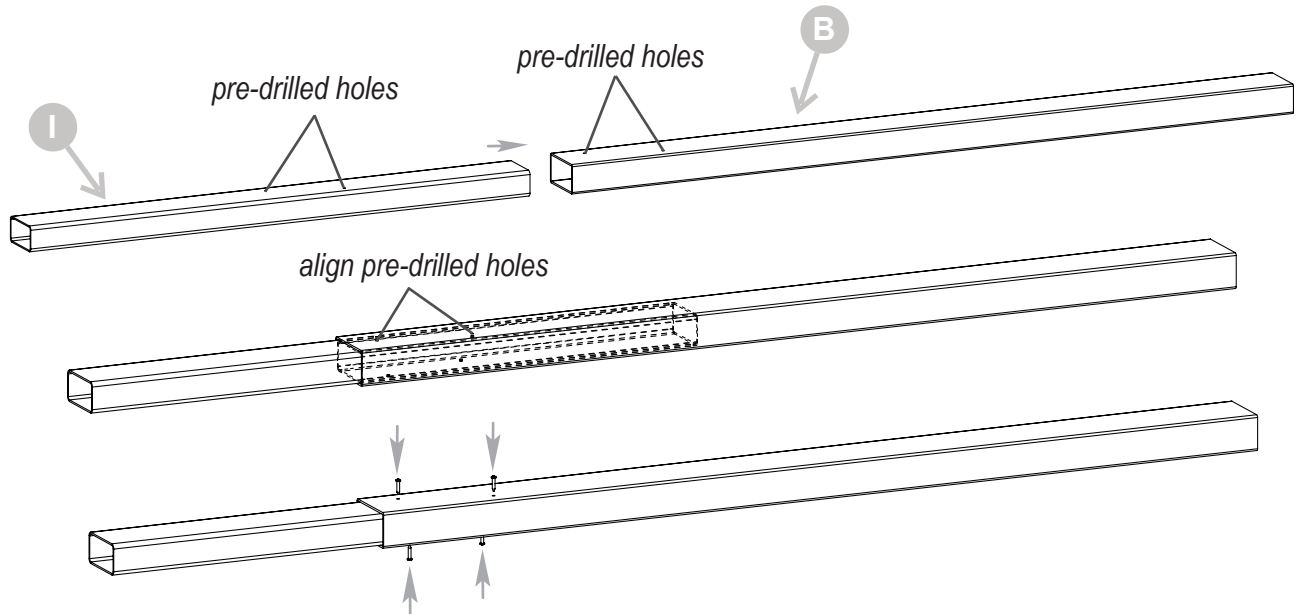
Align the pre-drilled hole on the finger of the gate latch (O) to the empty pre-drilled hole on the top rail. Fasten with (2) ½" black self-drilling stainless steel screws.



STEP 5: ASSEMBLE GATE POSTS

STEP 5.1

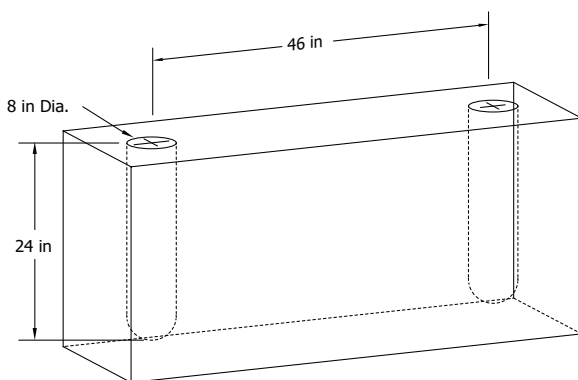
Insert the post extension (I) into the bottom of the post (B) as shown. Align the pre-drilled holes on the post with the pre-drilled holes in the post extension, and fasten them together with (4) $\frac{5}{8}$ " self-drilling stainless steel screws. Repeat for the second post.



STEP 6: INSTALL GATE POSTS

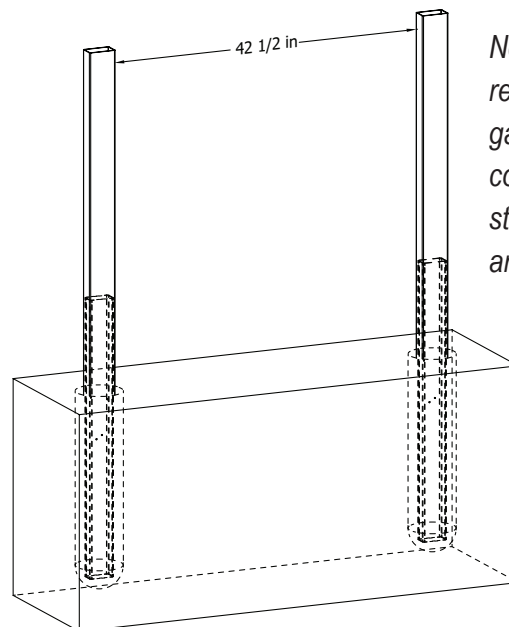
STEP 6.1

Dig (2) 8" diameter x 2' deep holes 46" apart (center to center) as shown.



STEP 6.2

Insert both posts into the holes, and make sure the space between the posts is 42½" and the posts are square to each other. Backfill the holes with concrete.

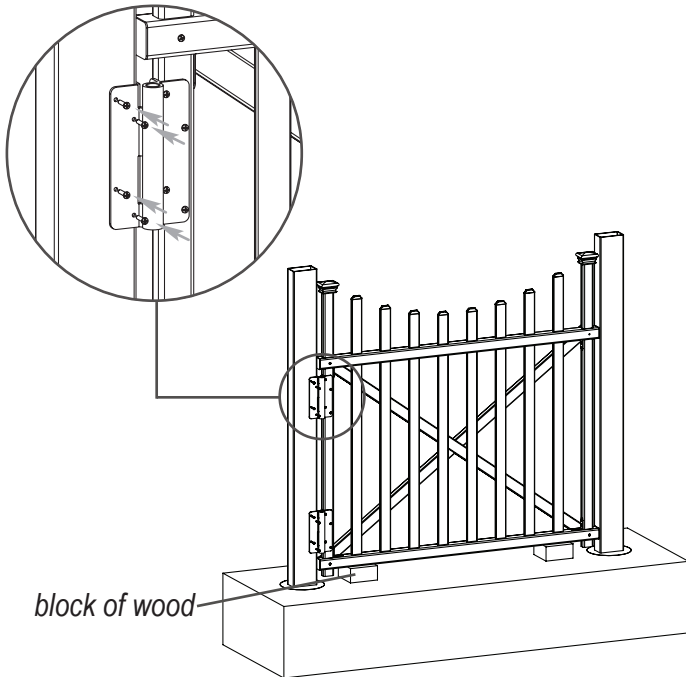


Note: If you intend to remove and reinstall the gate, you can substitute concrete with crushed stone compacted tightly around the posts.

STEP 7: INSTALL GATE

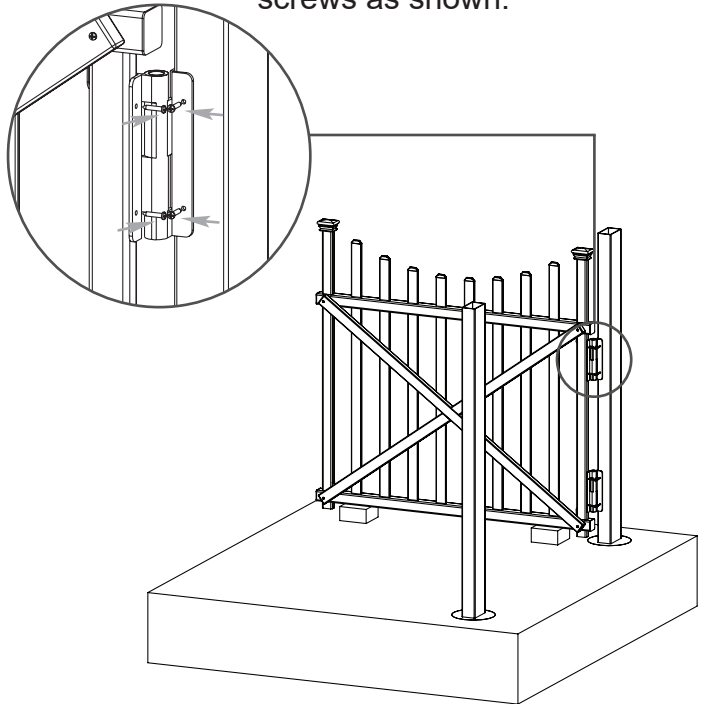
STEP 7.1

Fasten the gate hinges to the posts with (8) ½" black self-drilling stainless steel screws. Temporarily use 2" blocks of wood to raise the gate off the ground.



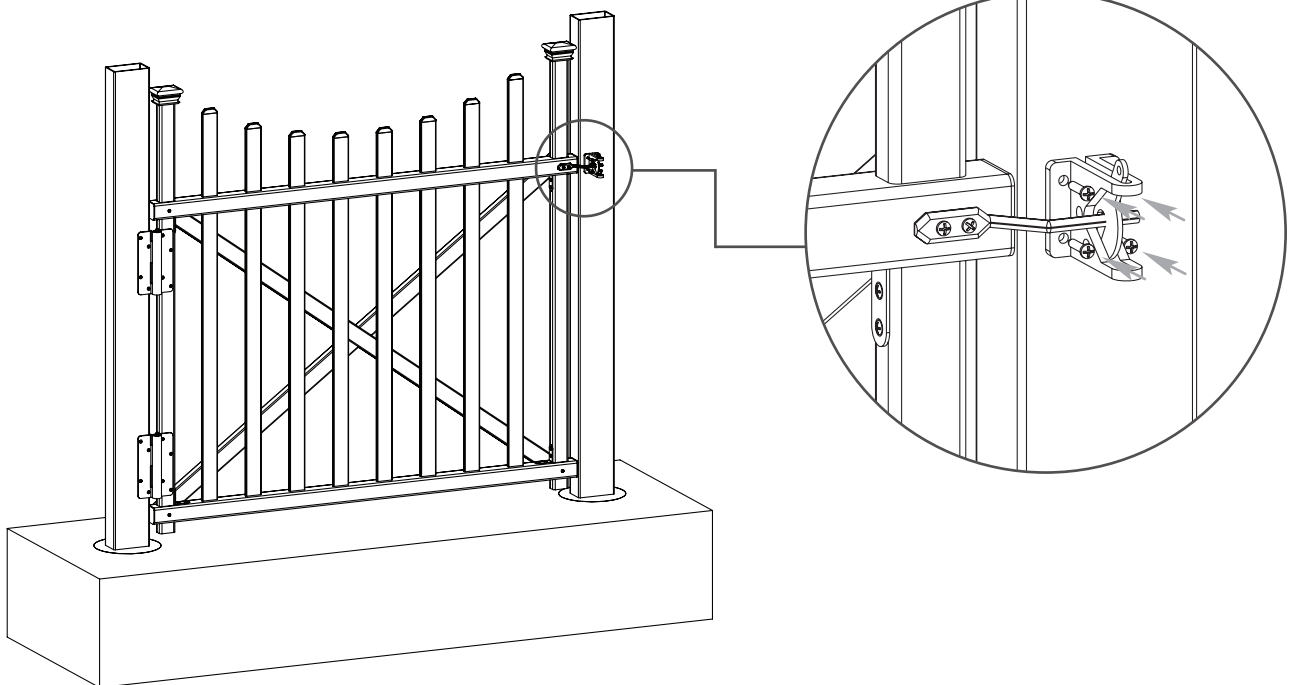
STEP 7.2

Open the gate, and fasten the gate hinges to the inside of the posts using (8) ½" black self-drilling stainless steel screws as shown.



STEP 7.3

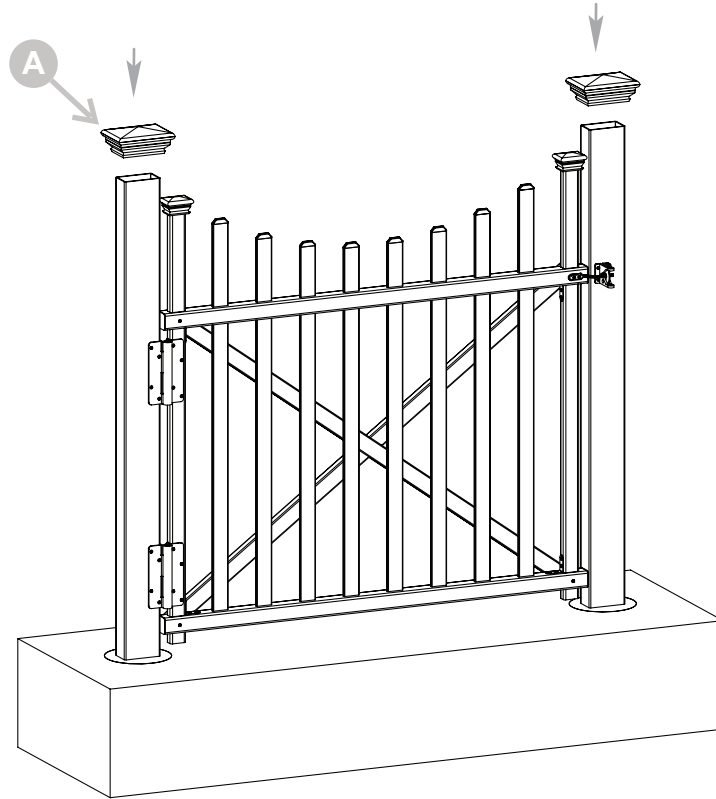
Align the gate latch with the gate finger, and install with (4) ½" black self-drilling stainless steel screws as shown.



STEP 8: INSTALL POST CAPS

STEP 8.1

Push the two post caps (A) onto the posts as shown.



6935 Reames Rd. Ste. K. Charlotte, NC 28216



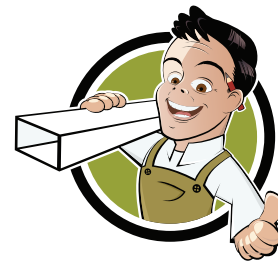
support@zippity-outdoor.com



704-892-5222 / 877-234-6196



zippity-outdoor.com



ZIPPITY

Easy Does It!