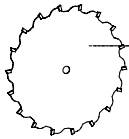
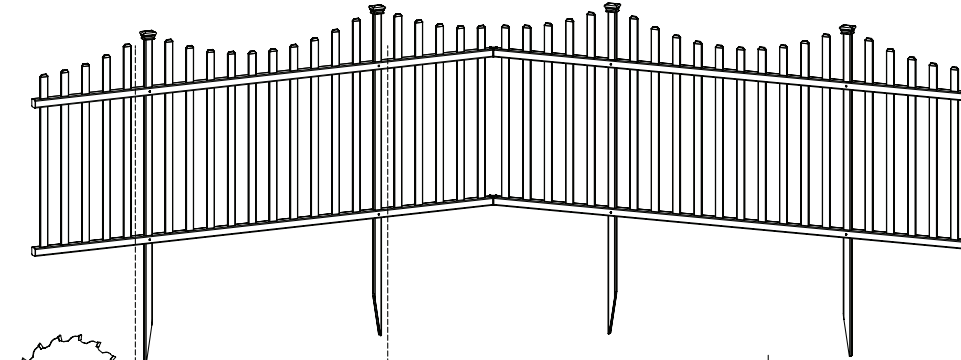


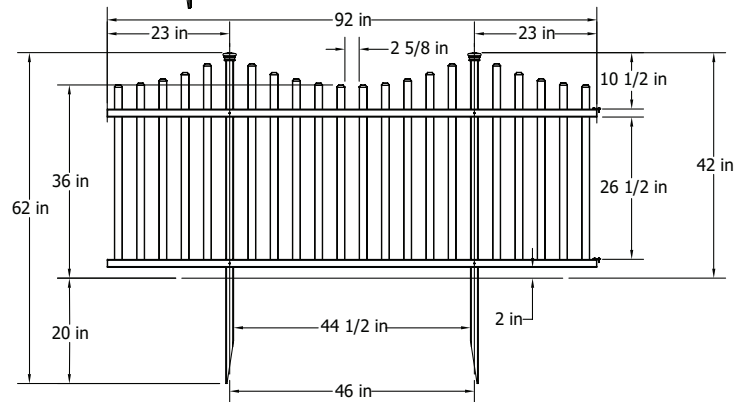


ASSEMBLY INSTRUCTIONS

THIS FENCE IS DESIGNED FOR SEMI-PERMANENT APPLICATIONS.



This fence can easily be trimmed down horizontally to fit your custom space. Use a fine-toothed circular saw or hack saw.



MANCHESTER VINYL PICKET FENCE KIT 2-PACK (42" H X 92" W)

60 MIN Approximate assembly time

Want to see a video on how to assemble this product? Scan the code below!



6935 Reames Rd. Ste. K. Charlotte, NC 28216



support@zippity-outdoor.com



704-892-5222 / 877-234-6196



zippity-outdoor.com



GENERAL INFORMATION



IMPORTANT

- *Please read through before starting assembly.*
- Important: Check the inside of the larger pieces in your box for other materials packed inside.
- When assembling components, place on a non-abrasive surface (i.e. shipping box) to avoid scratching.
- We recommend an area approximately 5'x 8' for unobstructed assembling.
- You should not need to use excessive force when assembling components.

MISSING OR DAMAGED PARTS?

VISIT OUR WEBSITE FIRST, SO WE CAN HELP YOU RIGHT AWAY!

Although great care has been taken to ensure proper packaging and handling of this product, occasionally problems occur. If you discover any missing, damaged or defective parts, please visit our website to order replacement parts. If you experience any further trouble with your product, please contact our customer service department.

WEBSITE: nychgroup.com/parts

EMAIL: support@zippity-outdoor.com

PHONE: 704-892-5222 / 877-234-6196

Customer service agents are available to take calls weekdays from 8am-5pm EST. If you call outside of business hours, please leave a voicemail.

To help you quickly and accurately, please have reference item number ZP19018 and the specific part name which can be found on the next page. It is helpful if you can provide the batch lot which is a stamped number on the end of the box.

NEED ASSEMBLY HELP?

If you are having problems with the assembly or installation of this product, we are happy to assist you with the process, so please give us a call at 704-892-5222 / 877-234-6196.

NEED TO RETURN?

If for some reason you need to return this product, please allow us to help resolve your issues first. If you still decide to return the product, you will need to initiate the return from the company you originally purchased from.

STEP 1: LAY OUT MATERIALS

A



Post Cap (4)

B



Top Rail (2)
1½" x 1½" x 92"

C



Post (4)
7/8" x 1½" x 61½"

D



Picket (40)

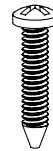
- #1 - ¼" x 1½" x 37⁷/₈"
- #2 - ¼" x 1½" x 36¹/₄"
- #3 - ¼" x 1½" x 35¹/₈"
- #4 - ¼" x 1½" x 34¹/₄"
- #5 - ¼" x 1½" x 33⁷/₈"

F



Joiner Clip (4)

G



¾" Self-Drilling
Stainless Steel
Screw (24)

E



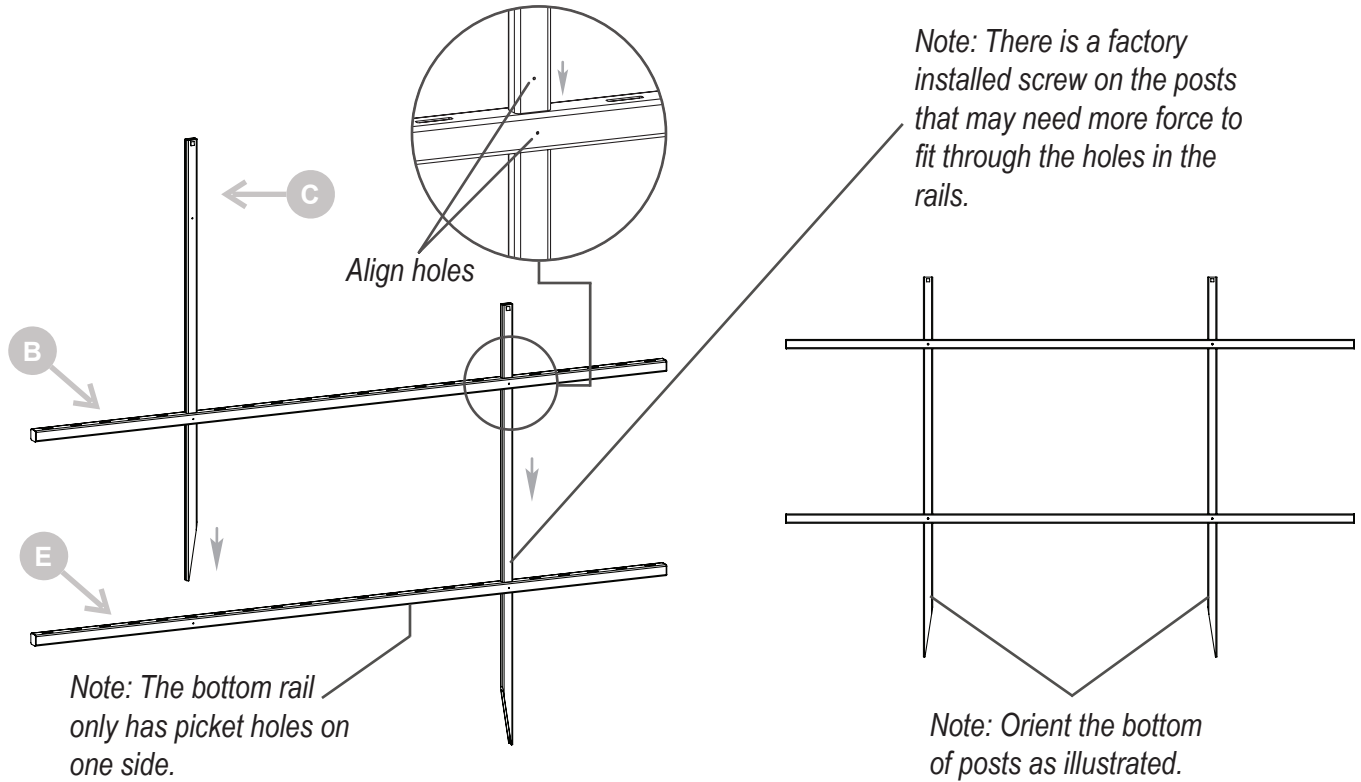
*Note: The bottom rail
only has picket holes on
one side.*

Bottom Rail (2)
1½" x 1½" x 92"

STEP 2: ASSEMBLE FENCE FRAME

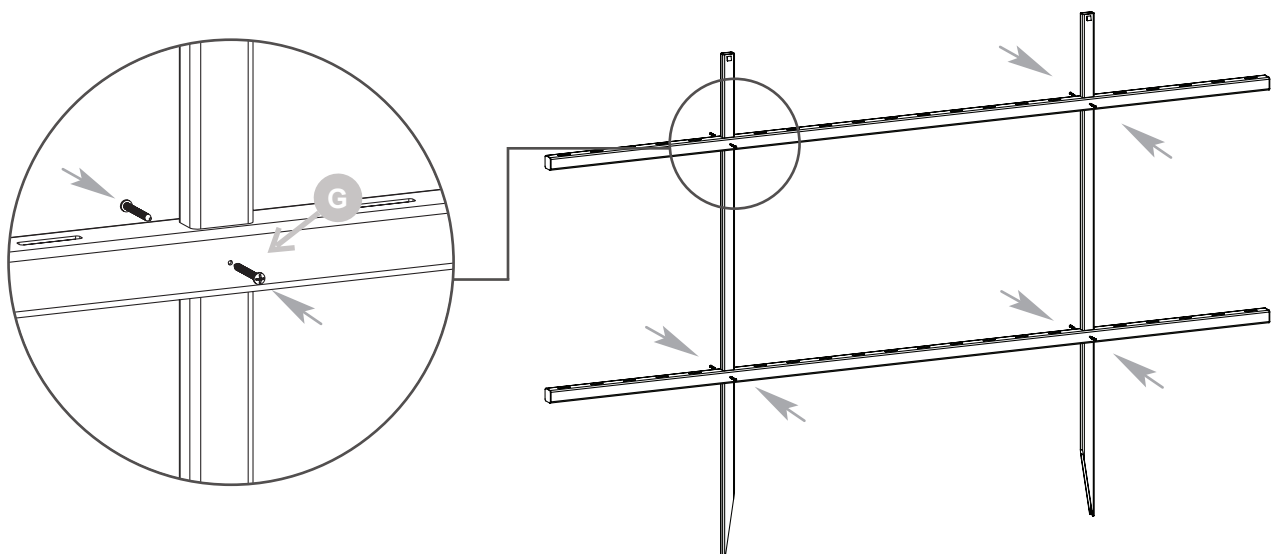
STEP 2.1

Position the top (B) and bottom (E) rails as illustrated, and slide the two posts (C) down through the large routed holes in the top and bottom rails until the pre-drilled holes in both rails are aligned with the pre-drilled holes in the posts.



STEP 2.2

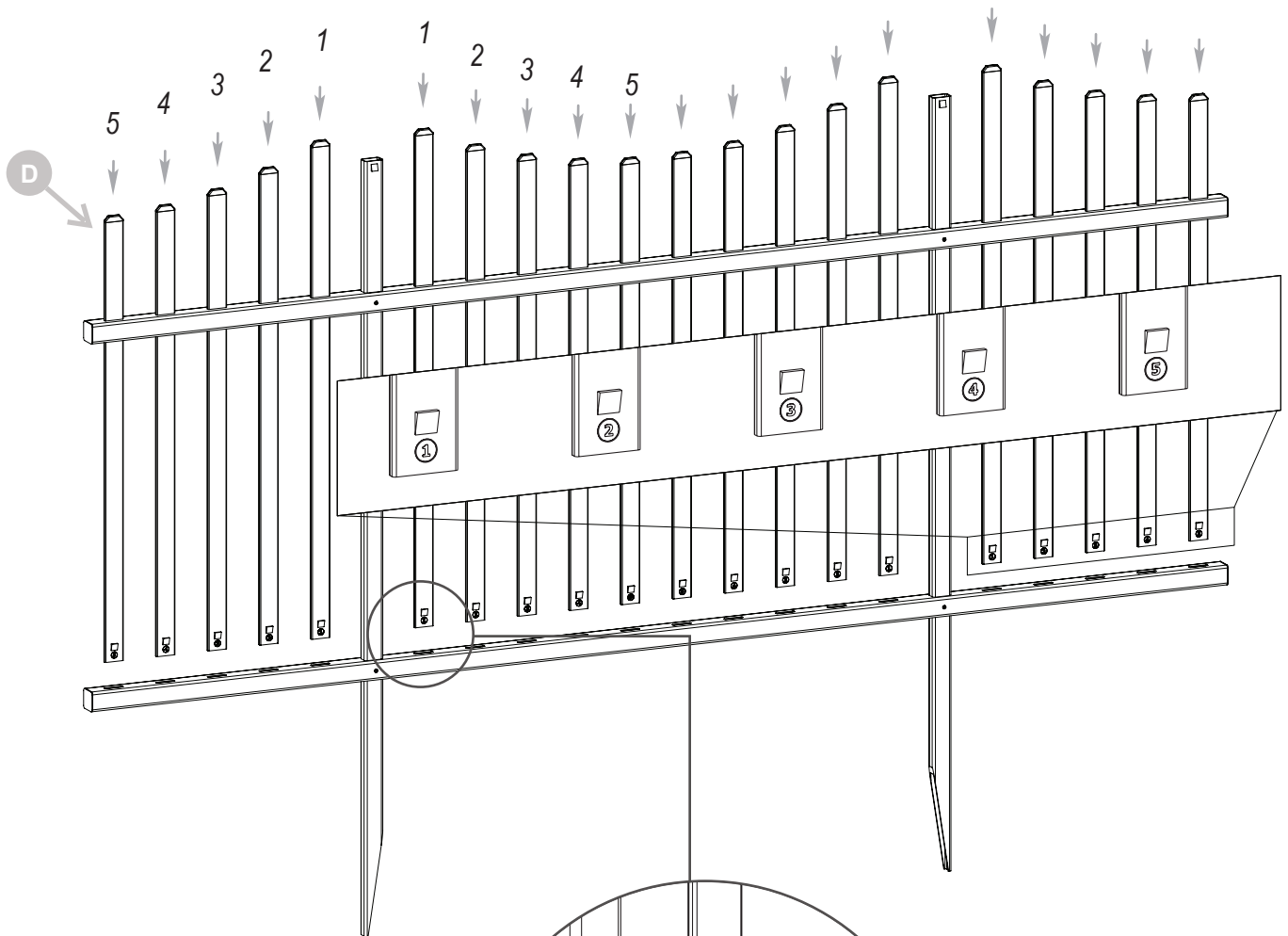
Secure the rails to the posts with (8) $\frac{3}{4}$ " self-drilling stainless steel screws (G).



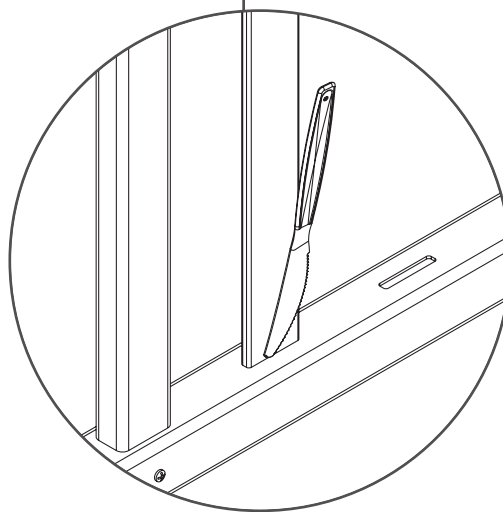
STEP 3: INSTALL PICKETS

STEP 3.1

Slide each picket (D) down through the top rail and into the bottom rail. Pickets are stamped 1, 2, 3, 4 and 5. Insert pickets in pattern of 5, 4, 3, 2, 1, 1, 2, 3, 4, 5 etc... to create a scallop pattern.



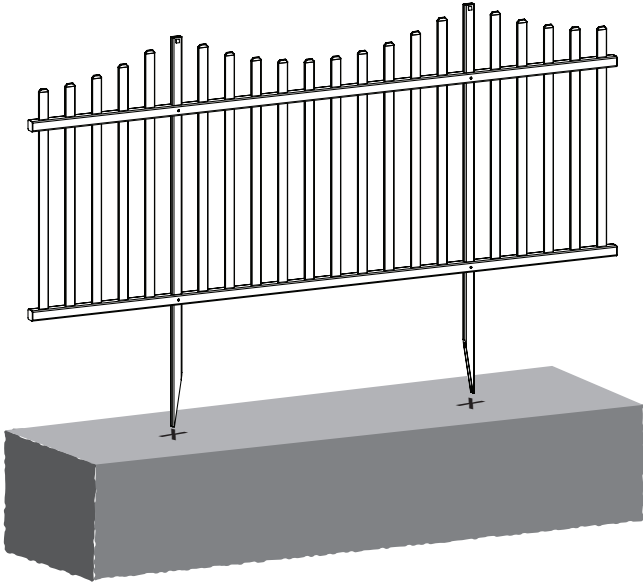
Note: Once inserted, the pickets will lock into place. To remove the pickets, gently insert a butter knife along the picket as shown, and slowly pull up the pickets.



STEP 4: INSTALL FENCE INTO GROUND

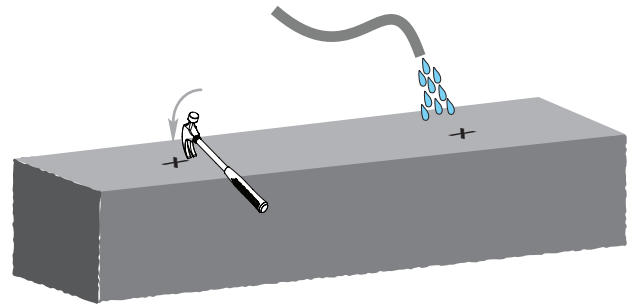
STEP 4.1

Move the fence to its final location, and identify the location of the posts.



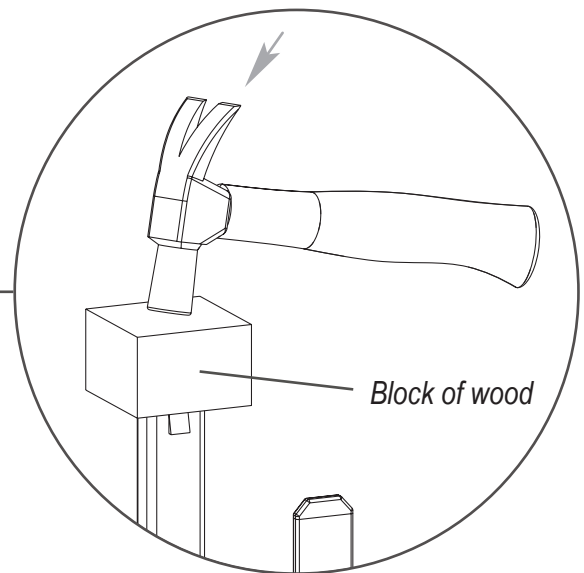
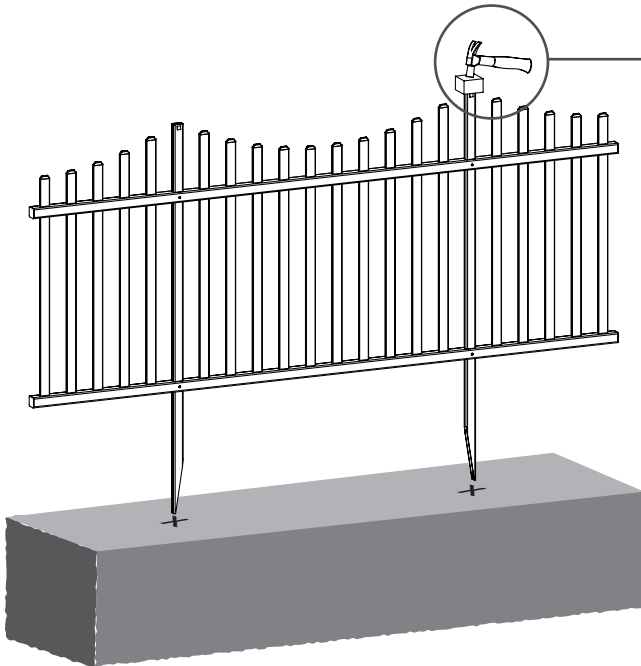
STEP 4.2

Loosen the top 10" to 12" of the ground using a claw hammer (or something equivalent) as illustrated. Add water to loosen soil.



STEP 4.3

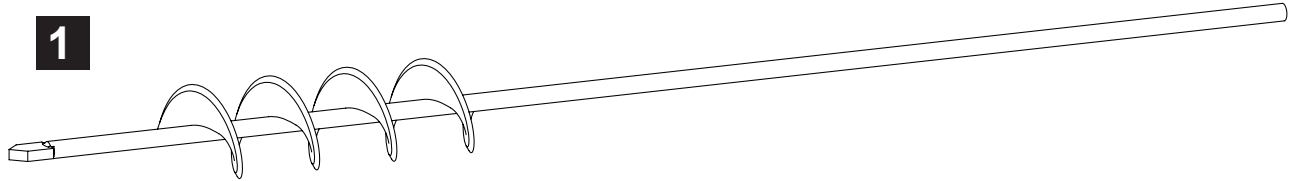
Use a block of wood to protect the top of the post, and gently hammer each post into the ground evenly.



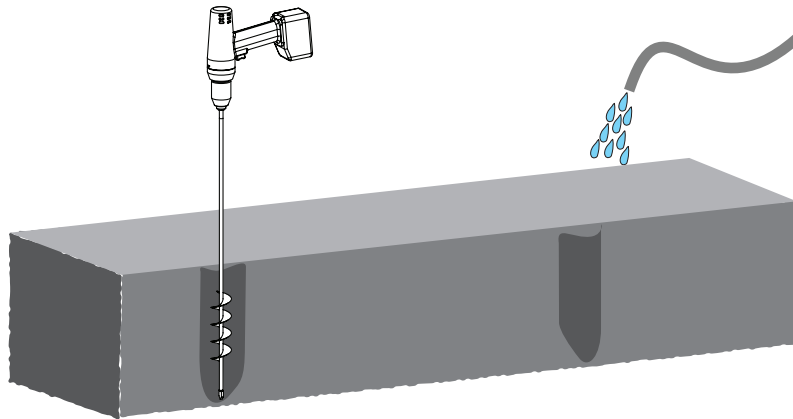
STEP 4.4

Options in hard ground: If your ground is too hard, or you have more than 3 or 4 panels to install, please consider these options:

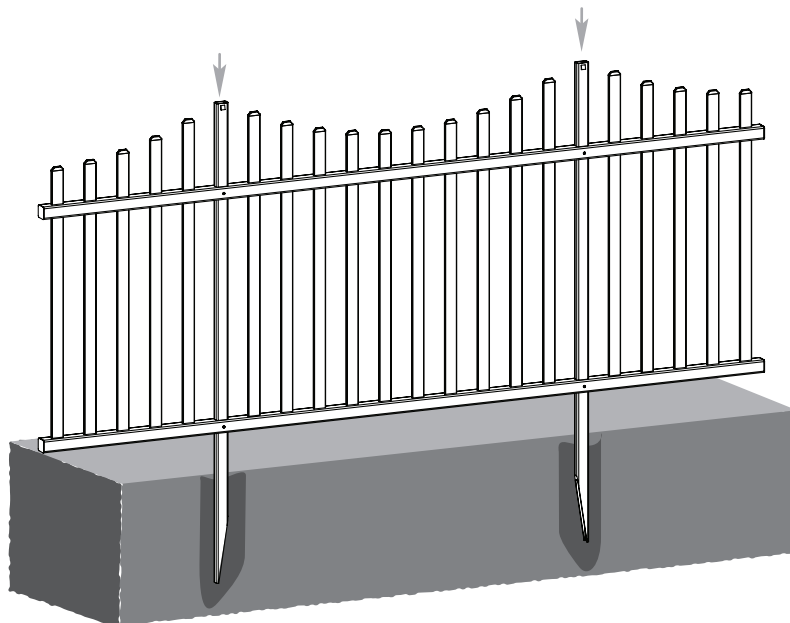
1. Use a 1 $\frac{3}{4}$ " diameter auger bit (commonly used for planting tulips) as illustrated (\$15-\$20 on Amazon.com).
2. Drill a hole about 12" to 16" deep at the desired location, and fill the holes with water as illustrated.
3. Push the fence posts into the holes.



2

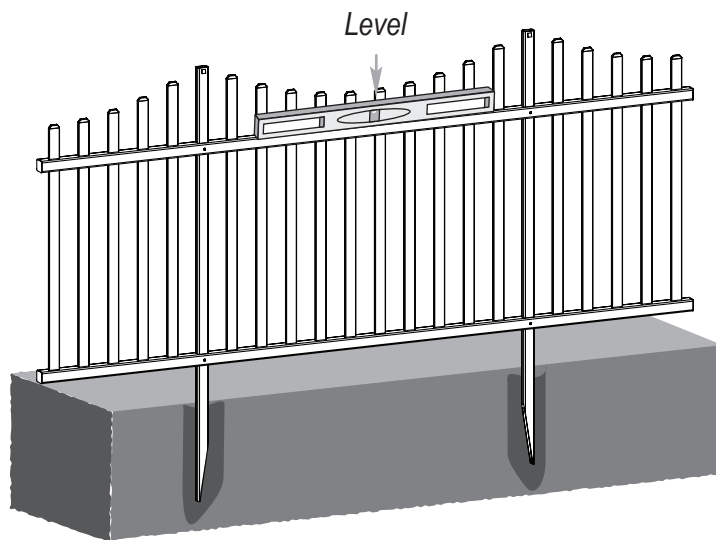


3



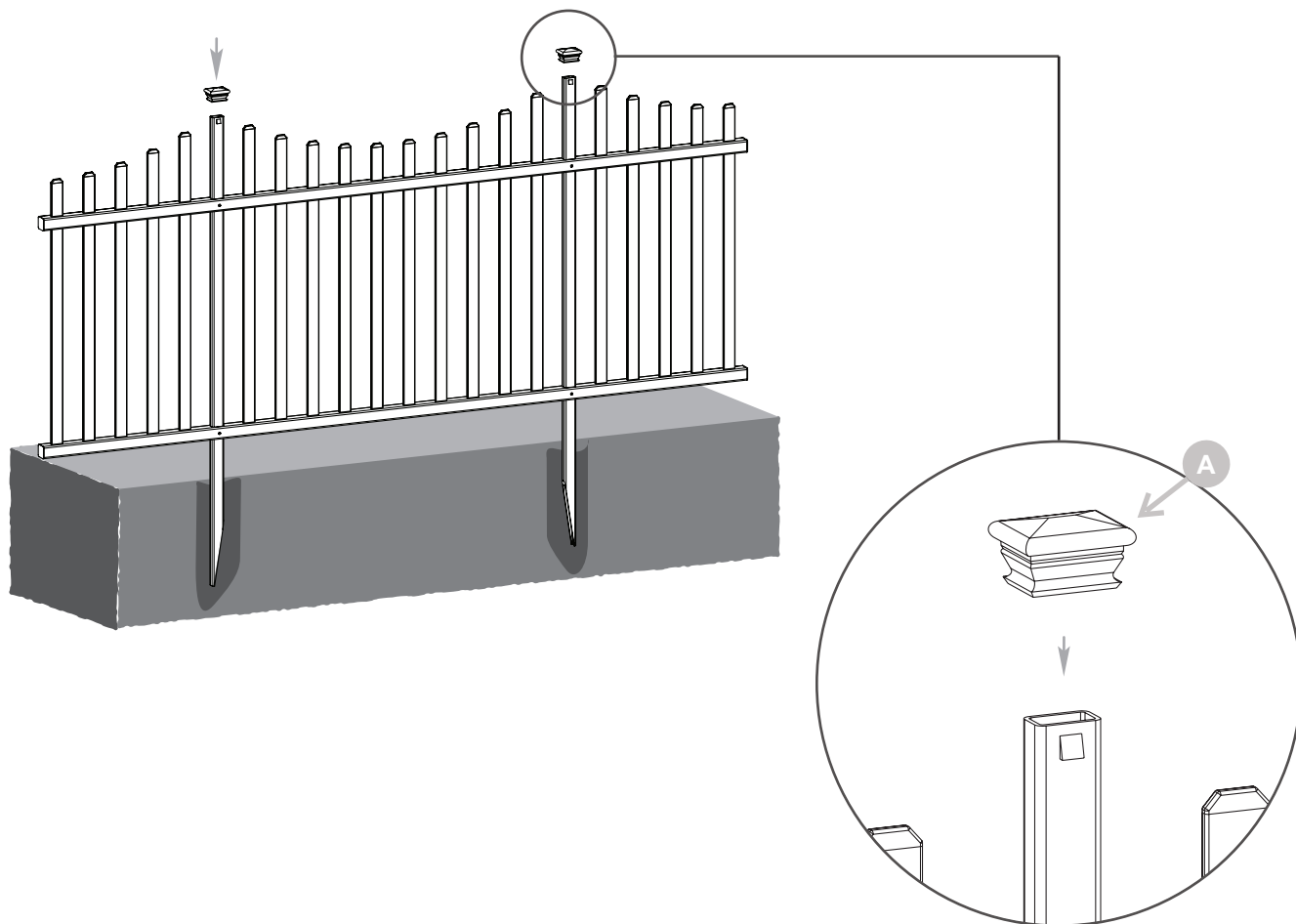
STEP 4.5

Level the assembled unit, fill in the holes, and compact dirt around the base of each post to strengthen the unit.



STEP 4.6

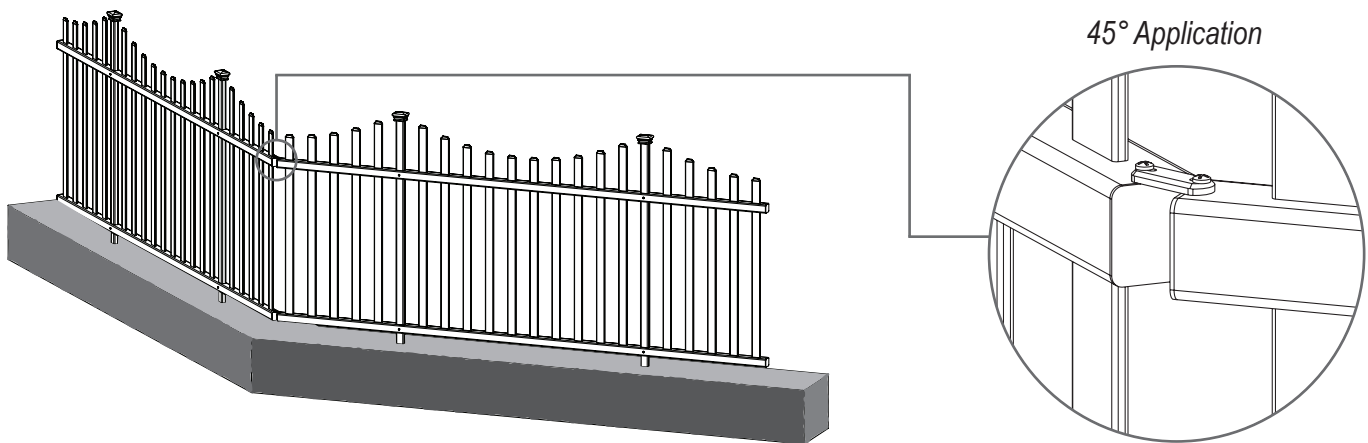
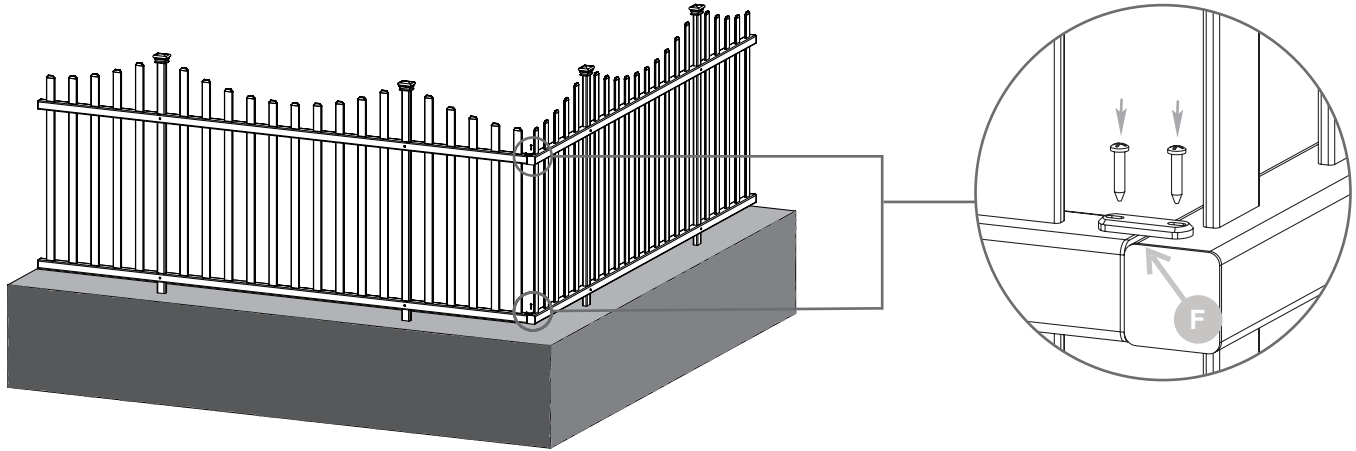
Finish the assembly by pushing the post caps (A) down over the top of the posts as illustrated. The post caps will lock into place.



STEP 5: FASTEN JOINER CLIPS

STEP 5.1

Fasten joiner clips (F) by screwing them to the top of the rails with (4) $\frac{3}{4}$ " self-drilling stainless steel screws as illustrated.



6935 Reames Rd. Ste. K. Charlotte, NC 28216



support@zippity-outdoor.com



704-892-5222 / 877-234-6196



zippity-outdoor.com



ZIPPITY

Easy Does It!