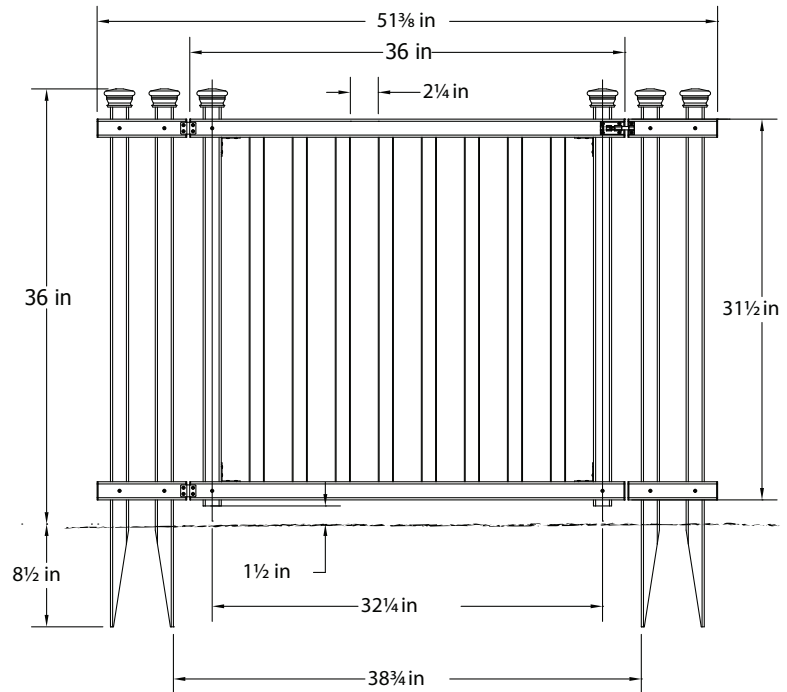
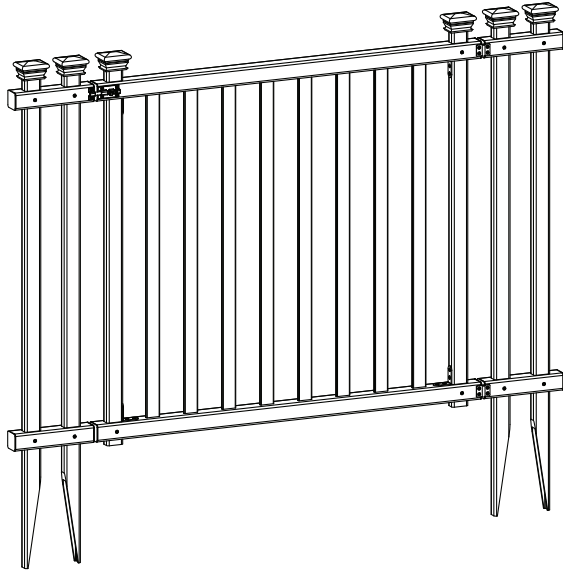


# ASSEMBLY INSTRUCTIONS



**ZIPPITY**  
Easy Does It!

## Baskenridge Vinyl Gate Kit w/ Fence Wings (Unassembled) 51 $\frac{3}{8}$ " Wide x 36" Tall



This Gate is designed to be integrated with our 36" High Baskenridge Fence

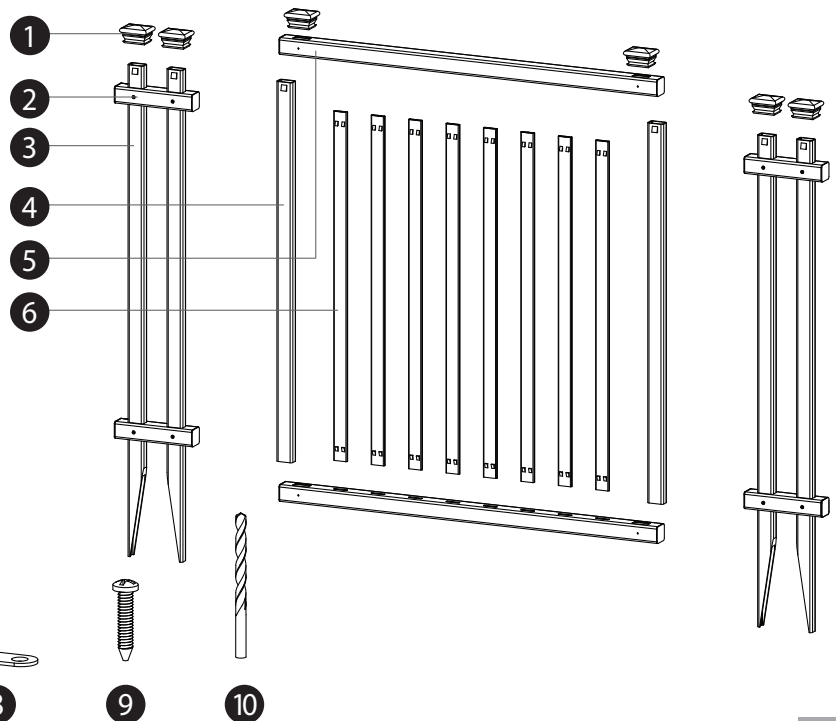
Please read through before starting assembly.

**IMPORTANT: CHECK THE INSIDE OF THE LARGER PIECES IN YOUR BOX FOR OTHER MATERIALS PACKED INSIDE.**

### Check Box for These Contents

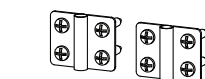
In the event of missing or defective parts please call our customer service department at 1 877 778 5733 (Mon. to Fri. 8:00 AM to 4:00 PM EST).

1. Post Caps (6)
2. Horizontal Rails (4) - 1 $\frac{1}{2}$ " x 1 $\frac{1}{2}$ " x 7 $\frac{3}{8}$ "
3. Posts (4) - 7 $\frac{7}{8}$ " x 1 $\frac{1}{2}$ " x 44"
4. Gate Posts (2) - 7 $\frac{7}{8}$ " x 1 $\frac{1}{2}$ " x 34"
5. Gate Horizontal Rails (1) - 1 $\frac{1}{2}$ " x 1 $\frac{1}{2}$ " x 36"
6. Gate Spindles (8) - 1 $\frac{1}{4}$ " x 1 $\frac{1}{4}$ " x 31 $\frac{1}{4}$ "
7. Gate Hardware Kit with Fasteners (1)
8. Corner Brackets (4)
9. 3 $\frac{3}{4}$ " Stainless Steel Screws (40)
10. 1 $\frac{1}{8}$ " Drill Bit (1)



### Tools You Will Need

- Cordless Drill
- Level
- Shovel



7



8



9



10

Not to Scale

## Baskenridge Vinyl Picket Gate

### 1 - Read Over Fence Instructions First

Your gate and fence will work better together as an integrated solution if you first take the time to read and understand your fence instructions.

### 2 - Pre-Assemble the Gate Frame

Please do not screw your gate frame together until you have first temporarily assembled the gate. In other words, do a dry run first.

This will ensure three things:

- That you have everything necessary to complete the gate.*
- That you will have assembled the gate in the correct order.*
- All the pieces fit and function properly.*
- The gate height and width measure similar to drawing on Page 1.*

It's easier to troubleshoot when things are not screwed together.

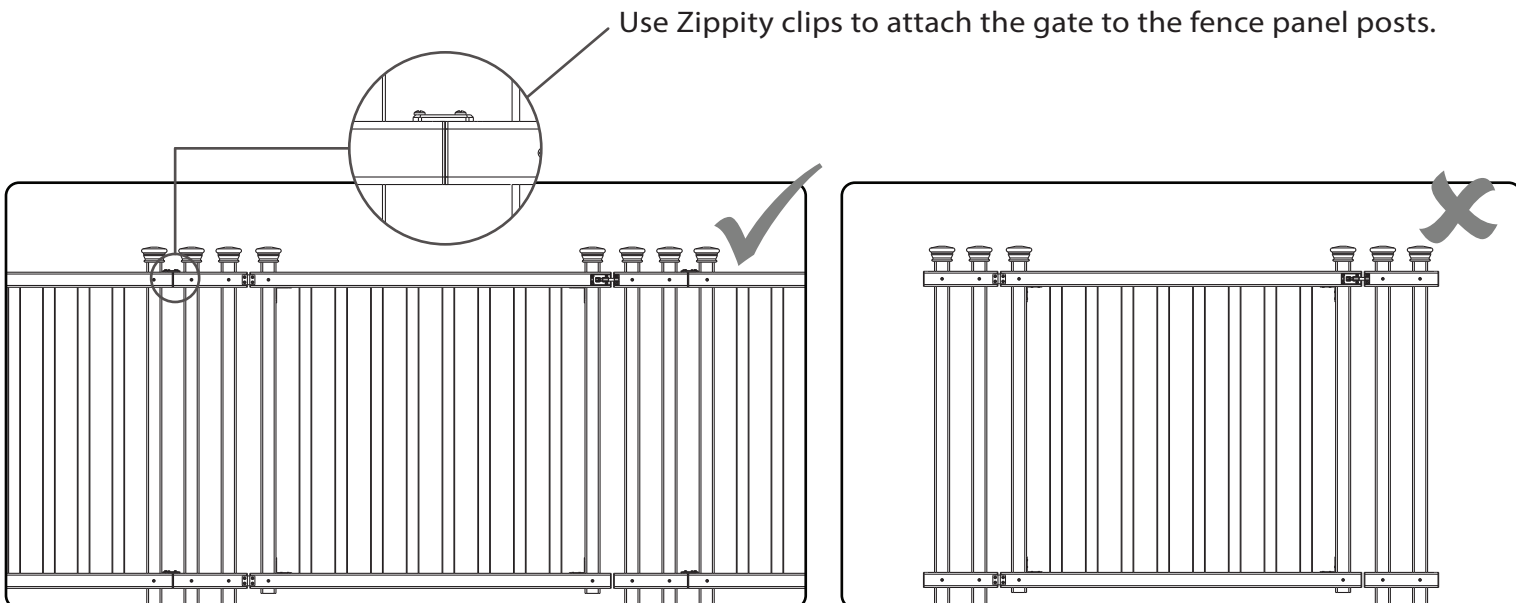
### 3 - Ideally, Install Your Gate Posts Before Your Fence Posts

Your fence panels will be more forgiving for a custom fit than your gate. Ideally, position and install your gate posts before you do anything else, or very early on in the process of setting up your fence run.

### 4 - Ideally, Do Not Hang Your Gate System By Itself (With no other fence panels)

Your gate will perform better and last longer if the fence assembly that supports the hinge side of the gate is connected in-line with another fence assembly. See illustration below. The weight strain will be transferred unto two posts versus just one. Installing fence panels on both sides of your gate is the ideal in all situations.

Use Zippity clips to attach the gate to the fence panel posts.



## STEP ONE



**ZIPPITY**  
*Easy Does It!*

### Assemble the Gate Frame

**1**

Orientate the gate posts so the tab is facing up as illustrated. Insert the post down through one of the gate horizontal rails as illustrated.

Note: the routed holes for the spindles should be facing down.

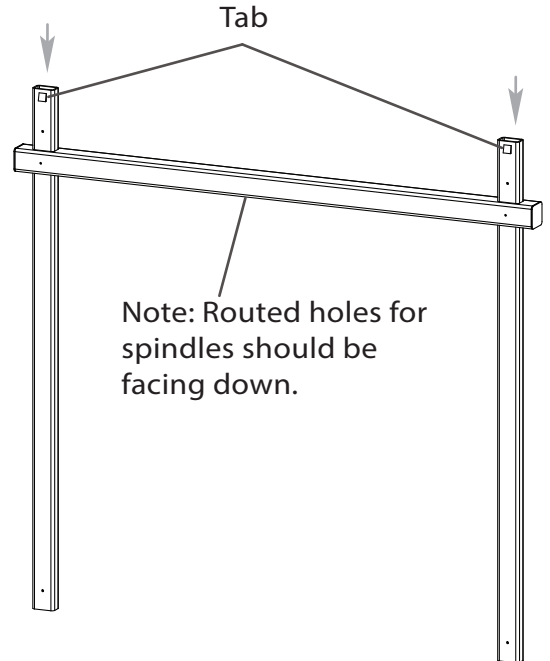
**2**

Align the pre-drilled holes in the horizontal rail with the pre-drilled holes in the vertical posts and fasten together with a total of four 3/4" screws.

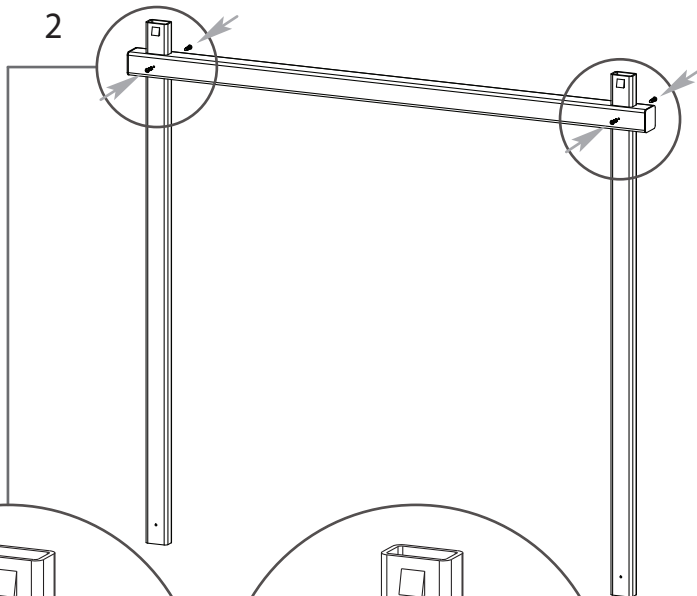
**3**

Insert spindles into the routed holes in the horizontal rail until they all click into place.

1

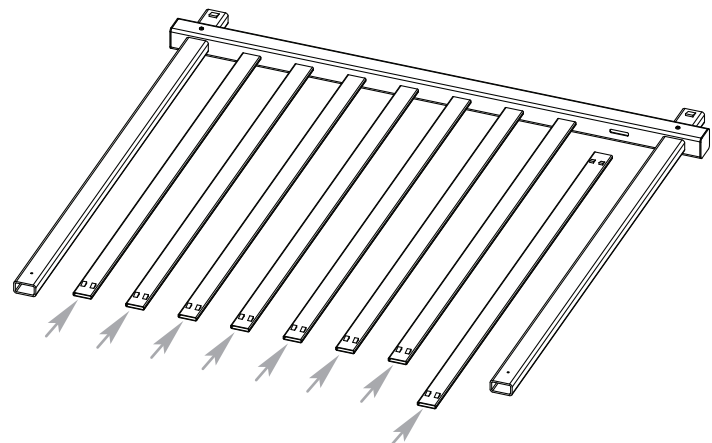


2



Align

3



## STEP ONE

### Assemble the Gate Frame (Cont'd...)

**4**

Align and slide a second gate horizontal rail over the posts and spindles as shown.

Fasten horizontal rail to posts using four  $\frac{3}{4}$ " screws as shown.

**5**

Starting with one inside corner, place the corner bracket against the horizontal and vertical gate posts as shown.

**6**

Fasten corner bracket with two  $\frac{3}{4}$ " screws into the horizontal rail.

**7**

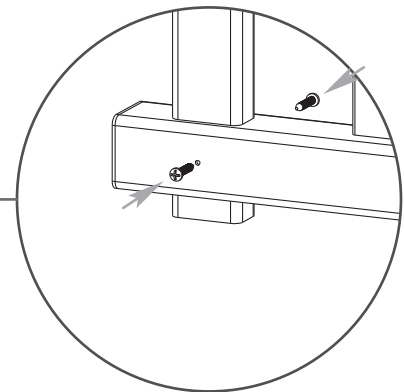
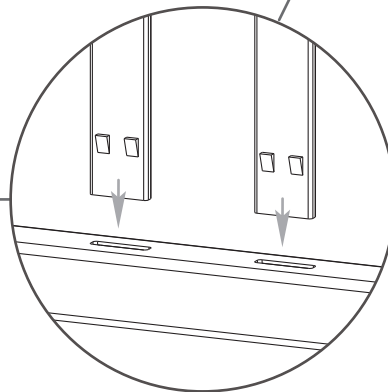
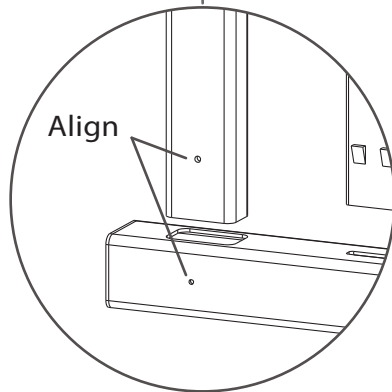
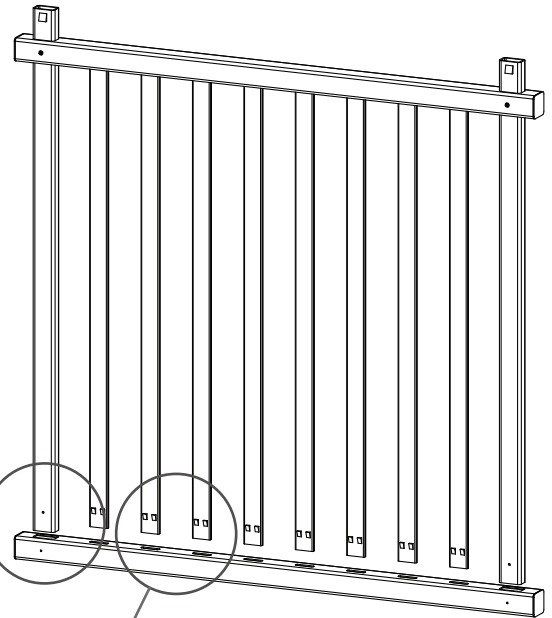
Fasten with two more  $\frac{3}{4}$ " screws into the vertical posts.

**8**

Repeat for all four inside corners.



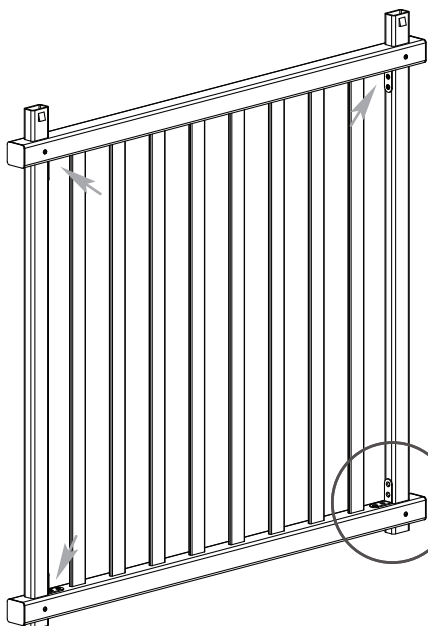
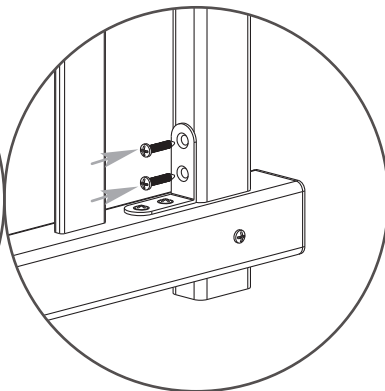
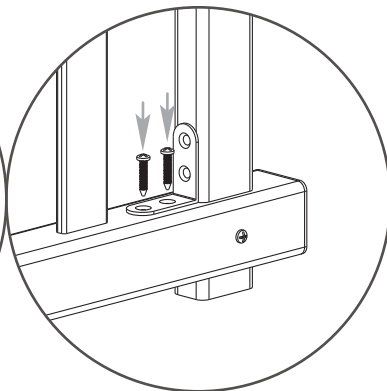
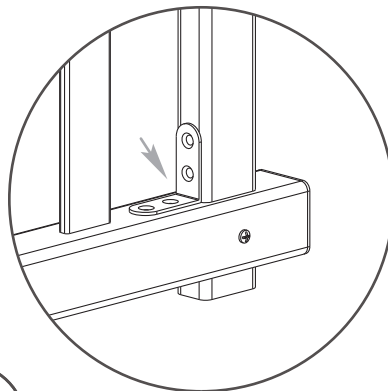
4



5

6

7



## STEP TWO



### Post Caps, Hinges, and Latch Installation

**1**

Pressure fit the two caps down over the posts. The post caps will lock into place.

**2**

Align the hinges on the top and bottom horizontal rails as shown.

**3**

Pre-drill two holes on the face of the horizontal rails for each hinge as shown. Holes should be approximately  $\frac{1}{4}$ " from the edge of the rail as shown.

**4**

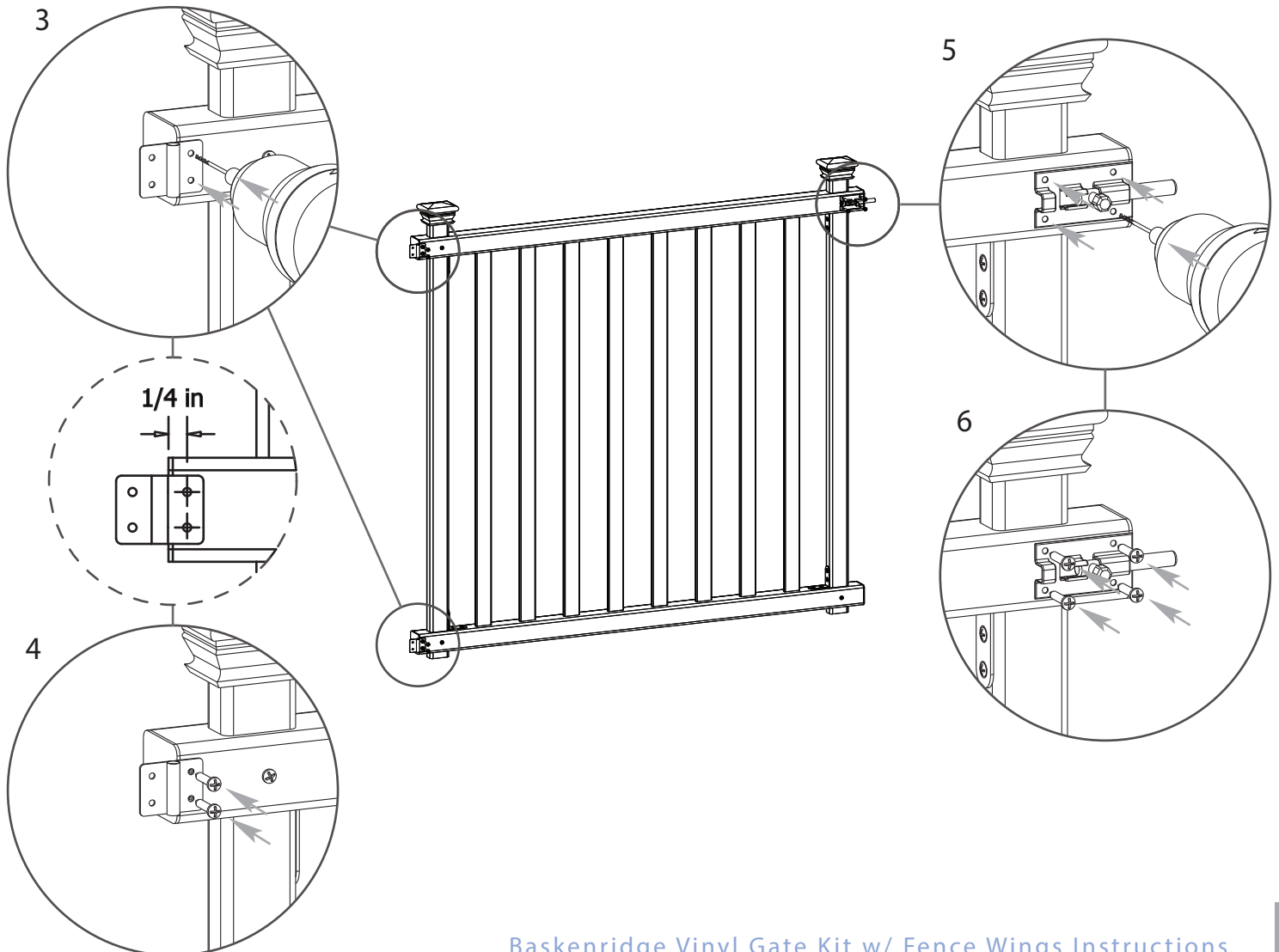
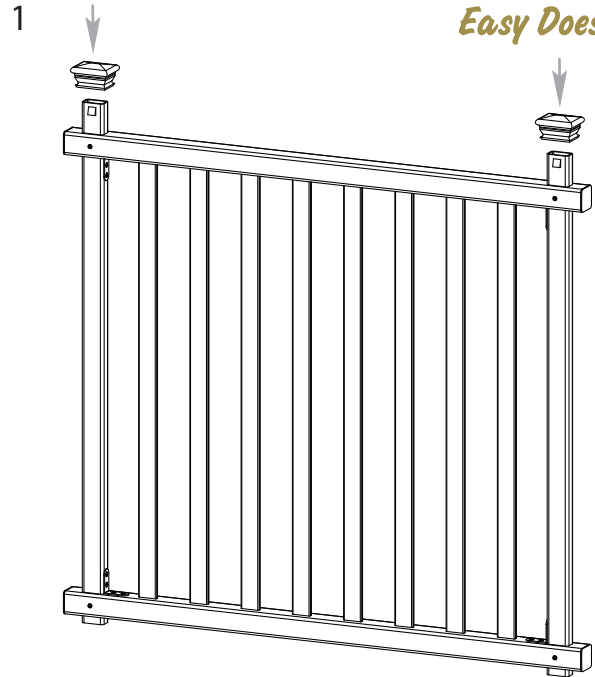
Fasten each hinge with two black screws.

**5**

Align the finger latch to the top horizontal rail and pre-drill four holes into the rail as shown.

**6**

Fasten four black screws to lock the finger latch in place.



## STEP THREE

### Assemble the Gate Wings

**1**

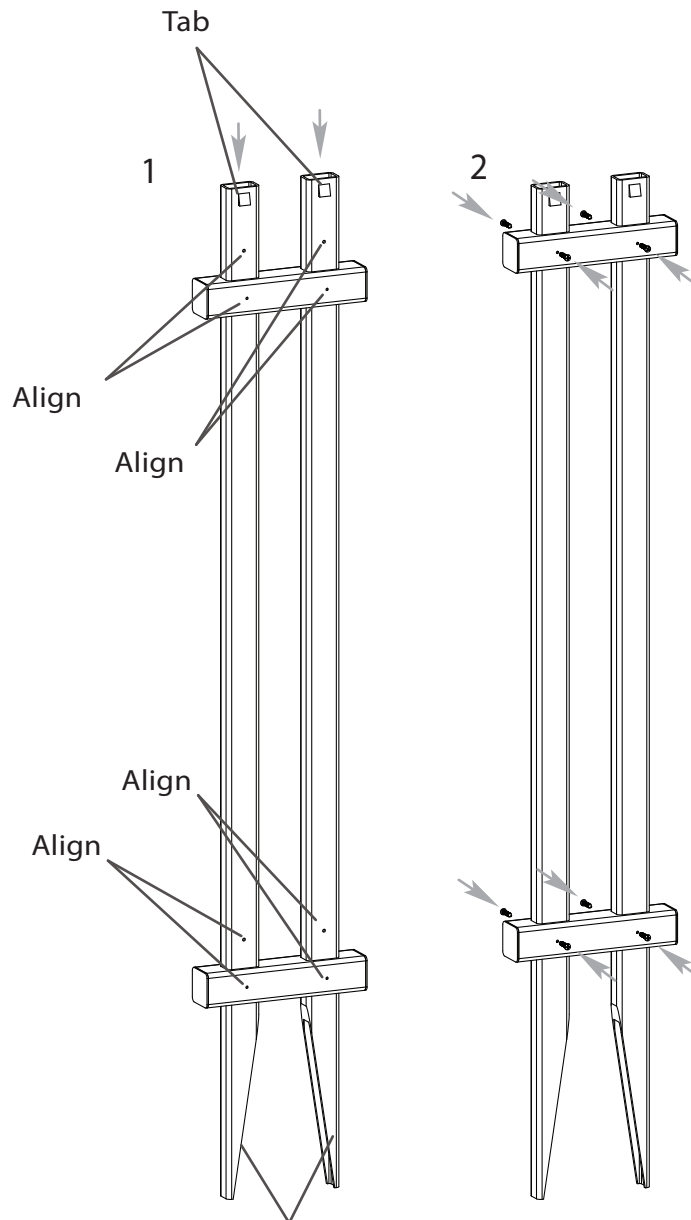
Orientate the posts so the tab is facing up as illustrated. Insert the post down through the two horizontal rails as illustrated.

**2**

Align the pre-drilled holes in the horizontal rails with the pre-drilled holes in the vertical posts and fasten together with four  $\frac{3}{4}$ " screws for the bottom rail and four  $\frac{3}{4}$ " screws for the top rail.

**3**

Repeat for second gate wing.



Note the direction of the spears.



**ZIPPITY**  
*Easy Does It!*

## STEP FOUR

### Install Gate wings into Ground

**1**

Move the gate wings to their final location and identify the location of posts. The distance between the posts should be  $38\frac{11}{16}$ " or  $40\frac{3}{16}$ " center-to-center

**2**

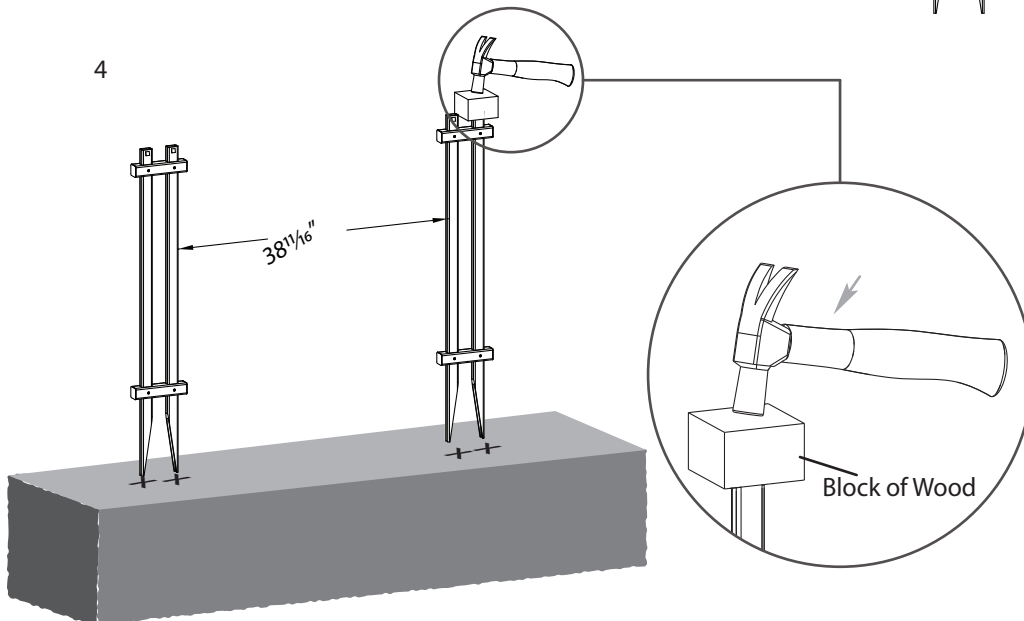
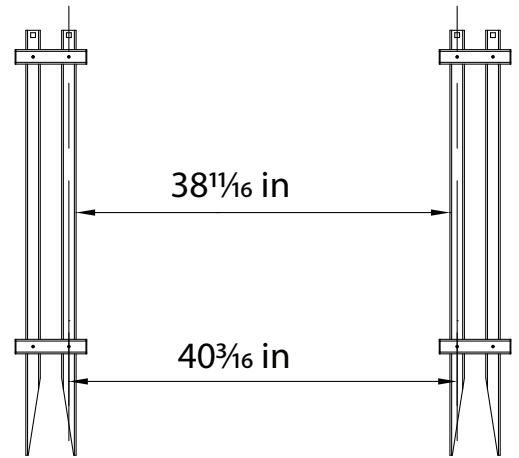
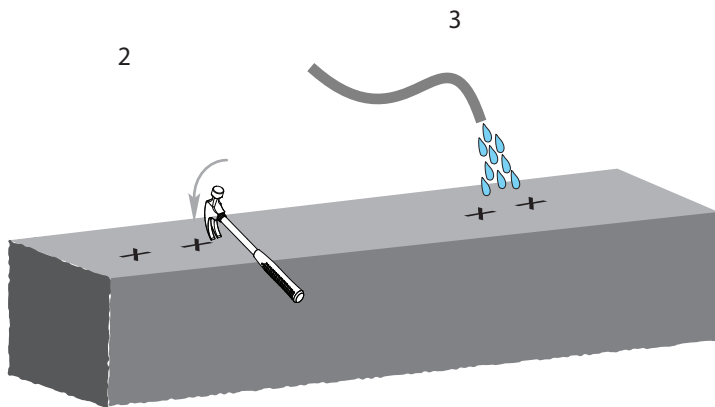
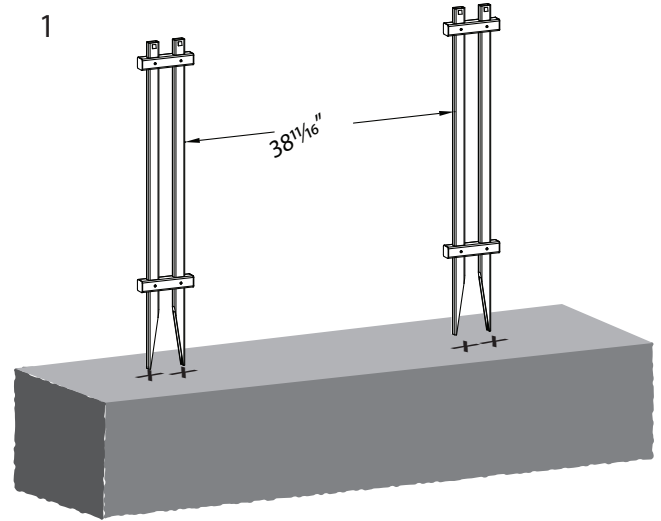
Loosen the top 6" to 8" of the ground using a claw hammer and screw driver (or something equivalent) as illustrated.

**3**

Add water to loosen soil if necessary.

**4**

Use a block of wood to protect the top of post and gently hammer each post into the ground equally until bottom rails are about 2" above the ground.



## STEP FOUR

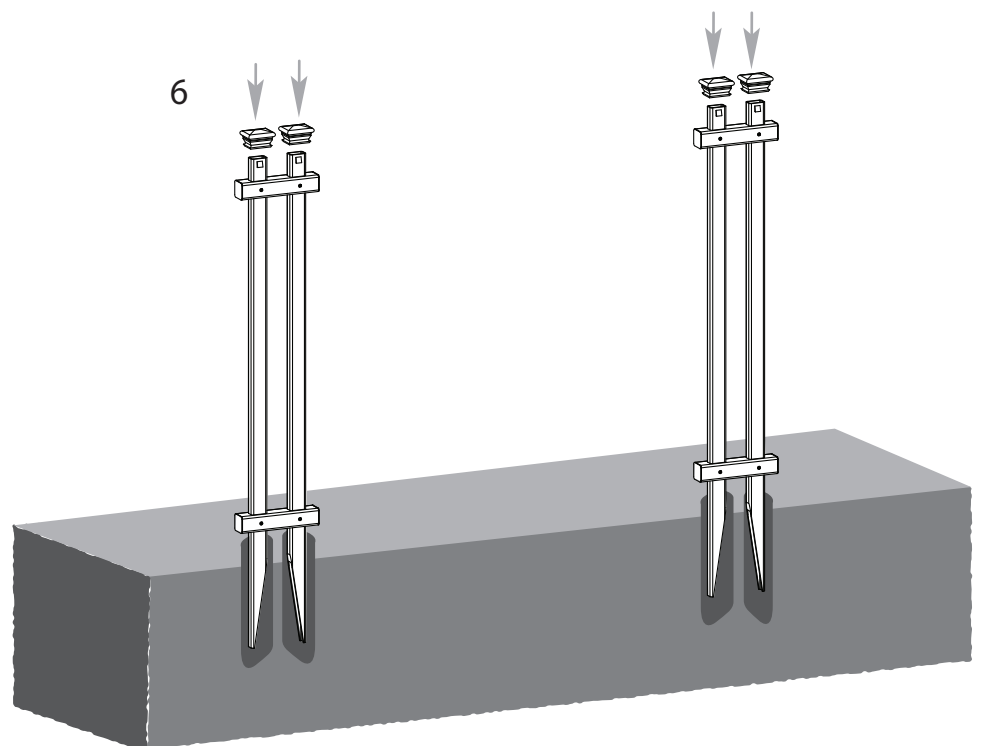
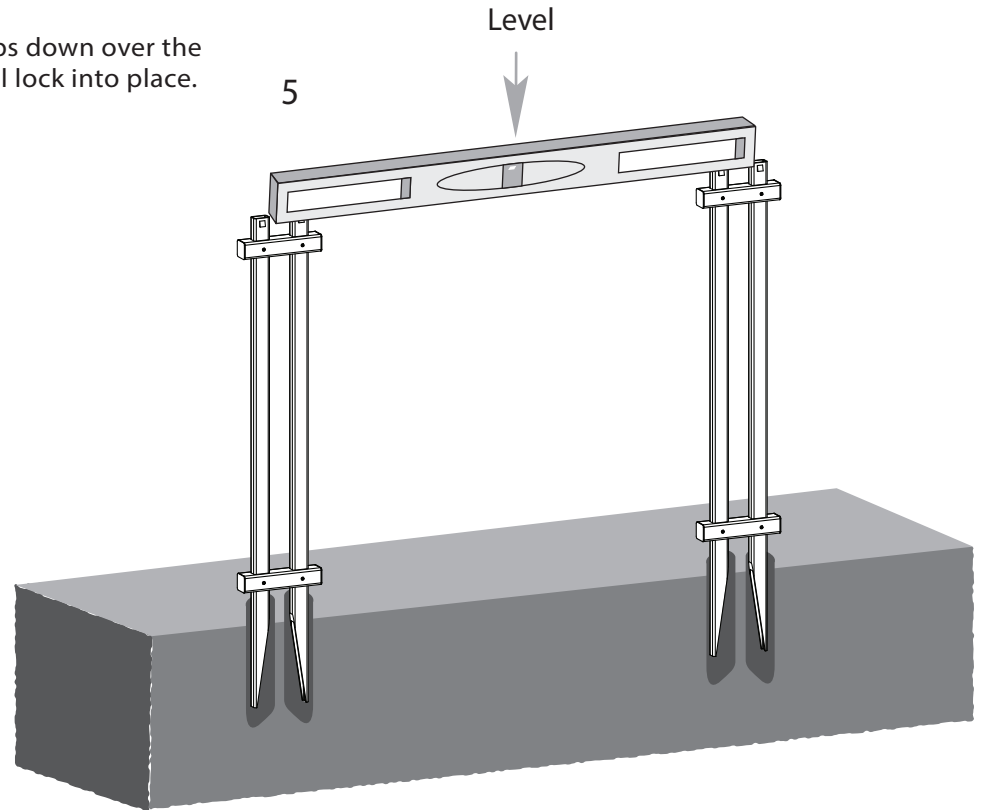
Install Gate wings into ground - continued

**5**

Level the assembled unit and backfill and compact dirt around the base of each post to strengthen the unit.

**6**

Finish the assembly by pushing the post caps down over the top of posts as illustrated. The post caps will lock into place.





## STEP FIVE

### Gate Installation

**1**

Align the gate hinges against the horizontal rails of the gate wing as illustrated.

**2**

Mark and pre-drill two holes for each hinge.

**3**

Fasten each hinge with two screws.

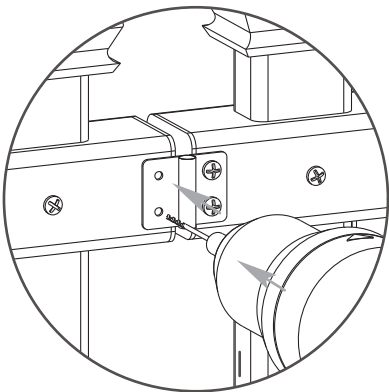
**4**

Align the catch as shown and pre-drill two more holes into the gate wing horizontal rail.

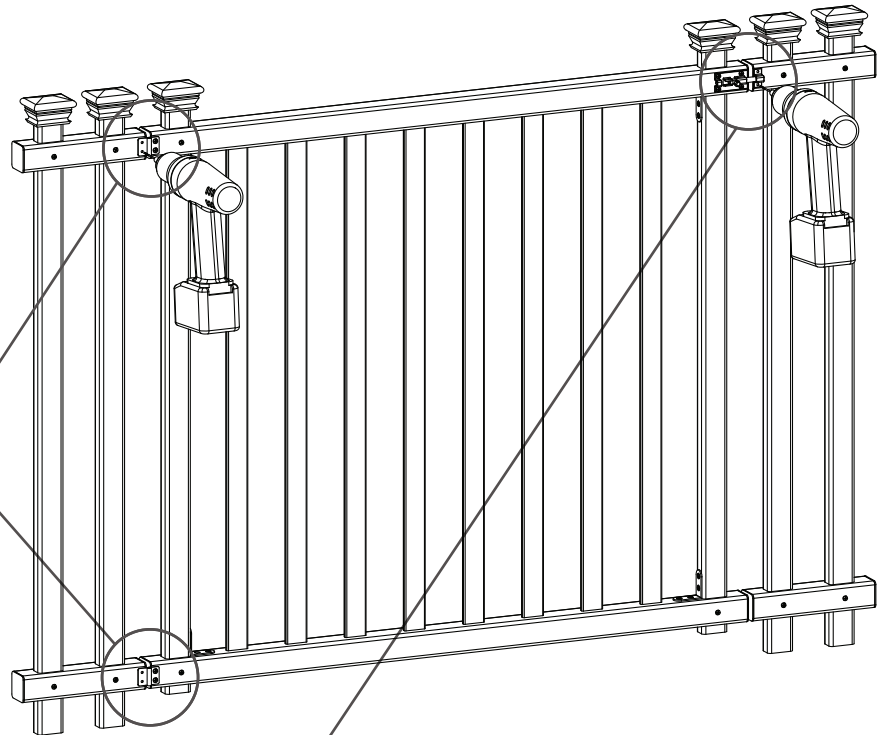
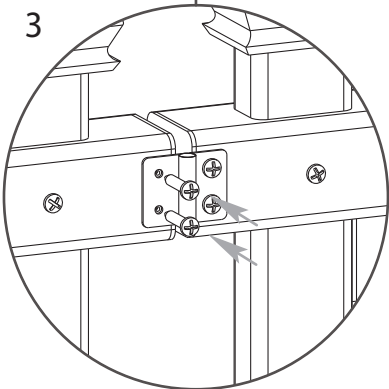
**5**

Fasten two screws to lock the catch in place.

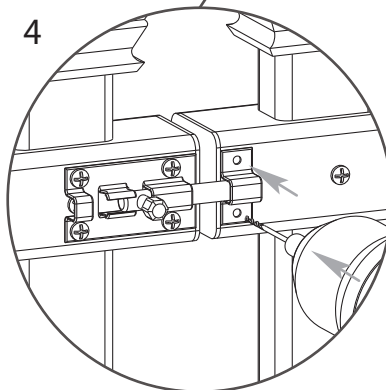
2



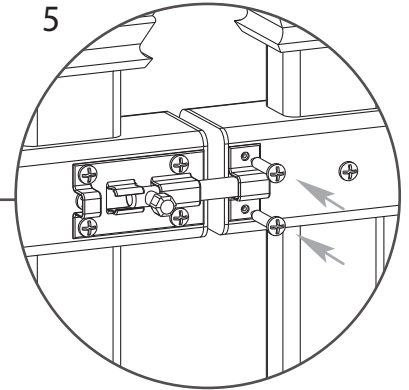
3



4



5



**ZIPPITY**  
*Easy Does It!*

## STEP SIX

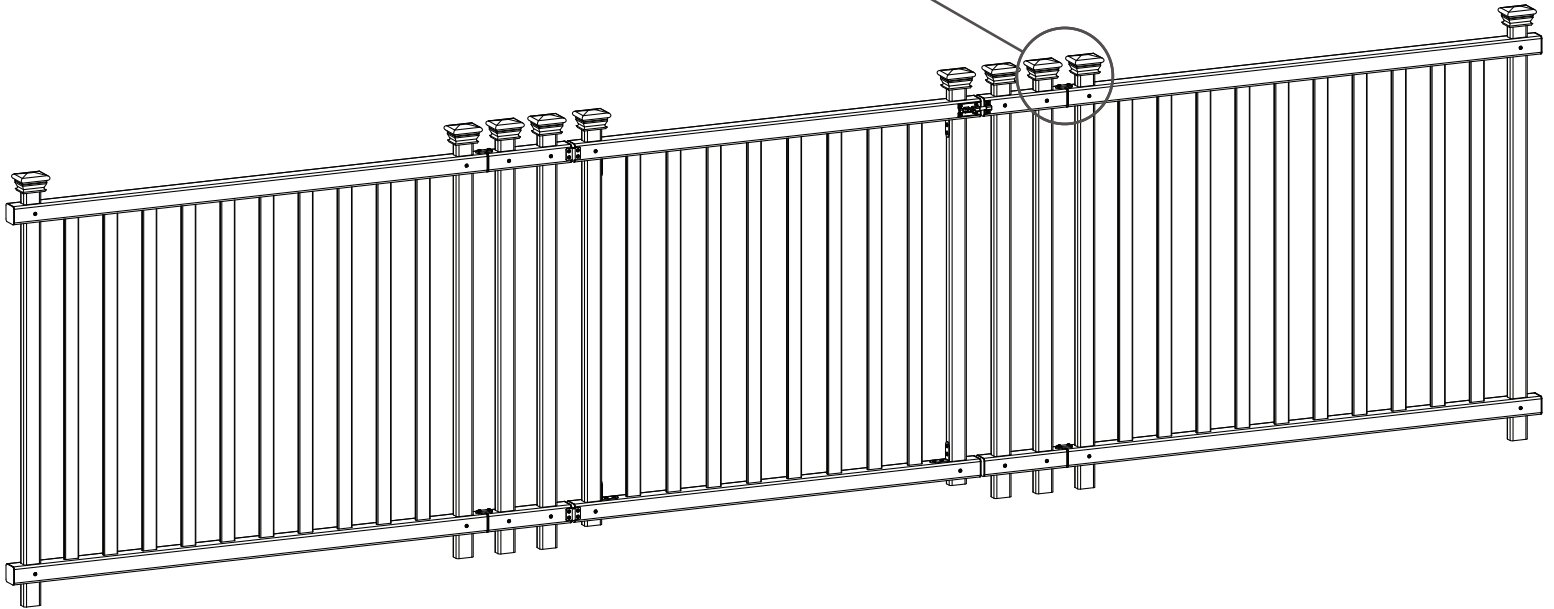
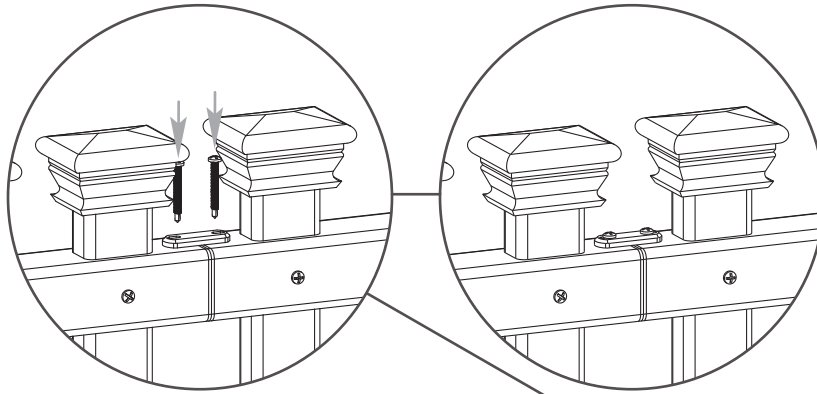
### Fence Panels installation

**1**

Follow the instructions included in your Baskenridge Fence kit.

**2**

Connect the top and bottom rails of the gate and fence panels using the supplied zippity clips and 1" self-tapping screws as shown.



**ZIPPITY**  
*Easy Does It!*