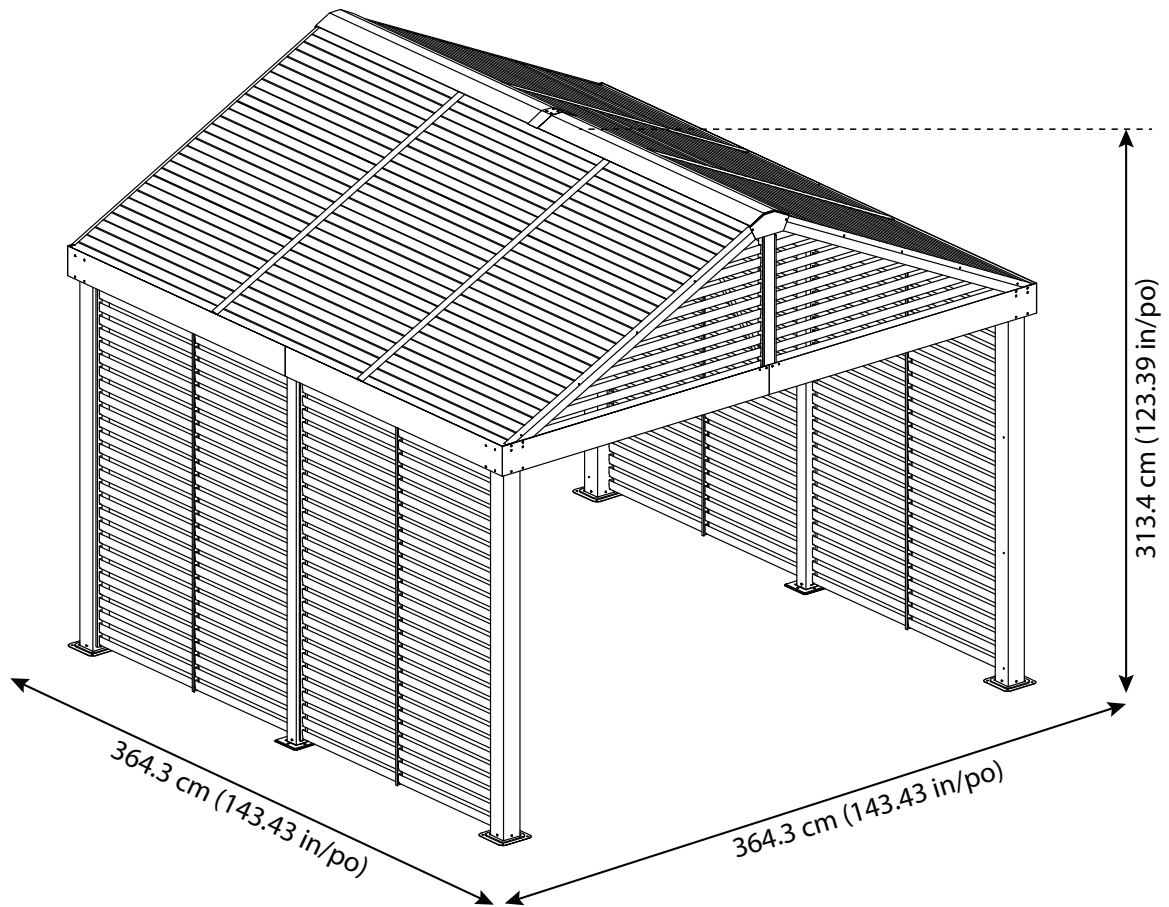


Assembly Manual / Guide d'assemblage / Manual de ensamblaje / 조립설명서 / Montageanleitung

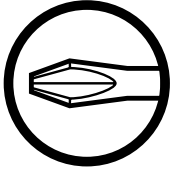
IMPORTANT, RETAIN FOR FUTURE REFERENCE: READ CAREFULLY
IMPORTANT : CONSERVER POUR RÉFÉRENCE FUTURE ET LIRE ATTENTIVEMENT
IMPORTANTE : CONSERVE PARA REFERENCIA FUTURA. LEA CUIDADOSAMENTE ANTES
Wichtig: für den zukünftigen Gebrauch aufbewahren: sorgfältig lesen.
중요: 주의 깊게 읽고 나중에 참조할 수 있도록 보관하십시오



For Outdoor Use only. Not for Commercial Use.
Pour usage extérieur seulement. Pas pour usage commercial.
Solo para uso en exteriores. No para uso comercial.
Nur für den Gebrauch im Freien. Nicht für den kommerziellen Gebrauch geeignet.
이 제품은 옥외용이며 상업용이 아닙니다.



Use the hex keys in the box. / Utilisez les clés hexagonales fournies dans la boîte. / Utilice las llaves hexagonales en la caja. / 상자에 육각 키를 사용 하십시오. / Verwenden Sie die Sechskantschlüssel in der Box.



Please use a Phillips screwdriver. / Utilisez un tournevis de type Phillips / Por favor, use un destornillador Phillips. / 십자 드라이버를 사용 하십시오. / Bitte verwenden Sie einen Kreuzschraubenzieher.



You may need to use a drill for this step. / Vous pouvez avoir besoin d'utiliser une perceuse pour cette étape. / Puede que tenga que utilizar un taladro para este paso. / 이 단계에선 드릴을 사용해야 할 수도 있습니다. / Für diesen Schritt können Sie einen Bohrer verwenden.



Wearing protective gloves is recommended. / Le port de gants de protection est recommandé / El uso de guantes de protección se recomienda. / 보호 장갑을 착용 하는 것이 좋습니다. / Das Tragen von Schutzhandschuhen wird empfohlen.



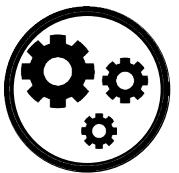
Two or more people are required at this stage. / Deux personnes ou plus sont nécessaires à cette étape. / Dos o más personas se requieren en esta etapa. / 이 단계에서는 두 명 이상이 필요합니다. / Für diesen Bauschritt sind 2 oder mehr Personen erforderlich.



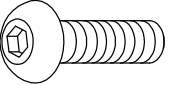
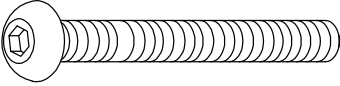
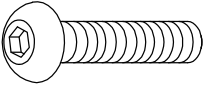


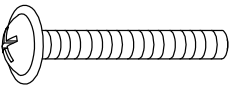
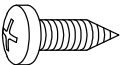
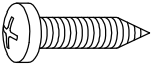
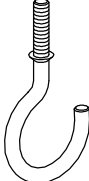
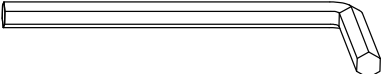
Do not tighten screws all the way for now. / Ne pas visser fermement pour l'instant. / No atornille con firmeza por ahora. / 아직 나사를 단단히 조이지 마십시오. / Bitte die Schrauben zum jetzigen Zeitpunkt noch nicht fest anziehen.

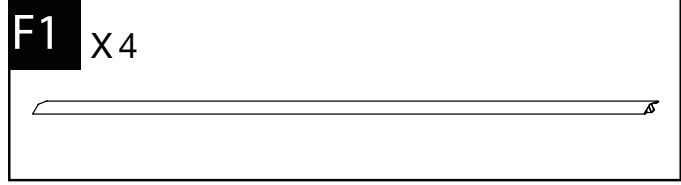
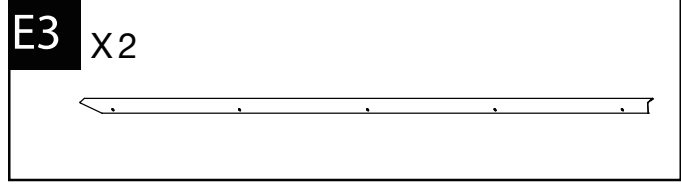
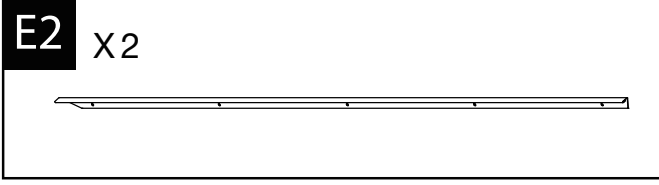
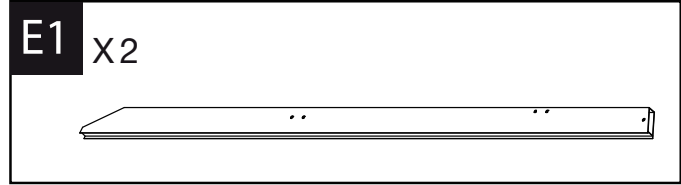
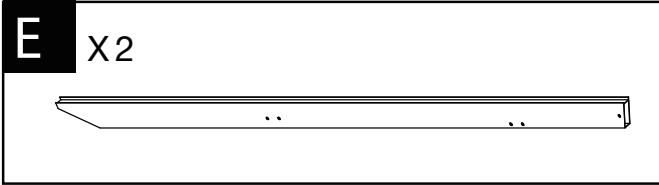
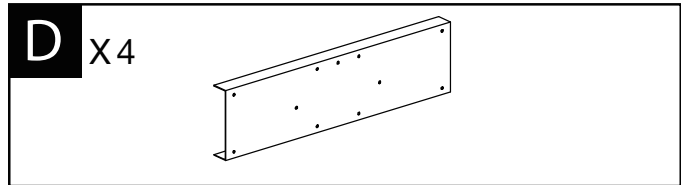
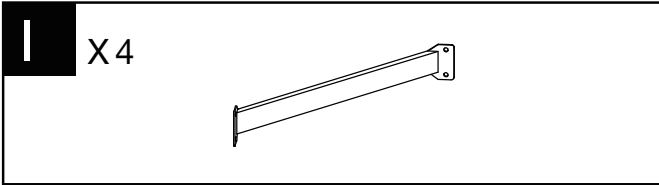
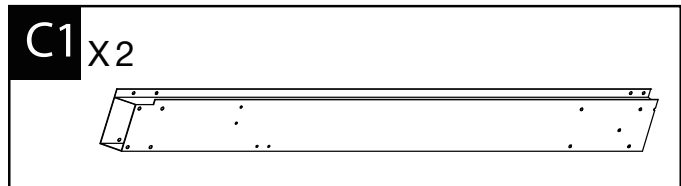
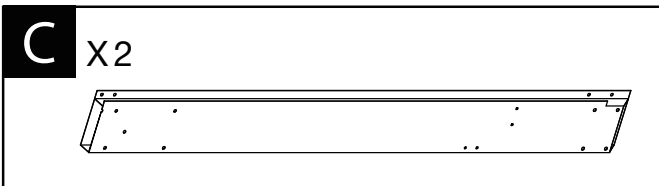
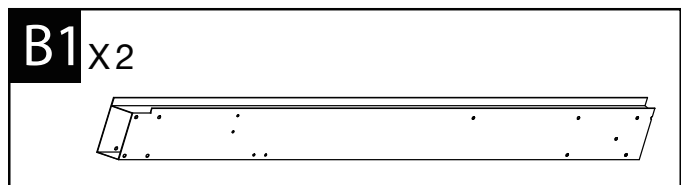
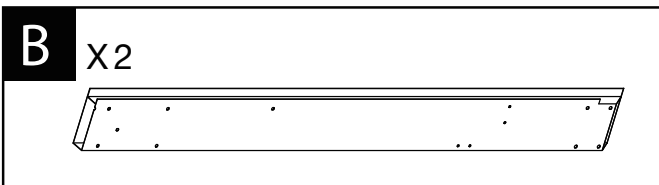
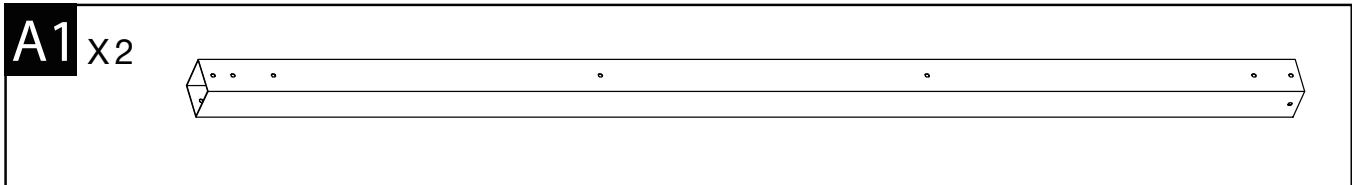
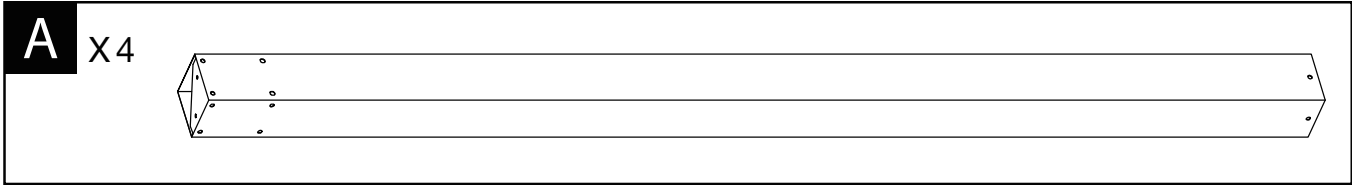


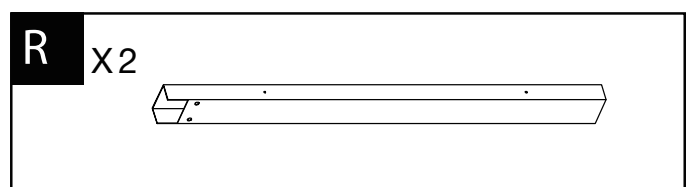
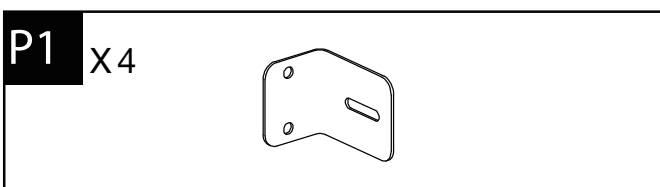
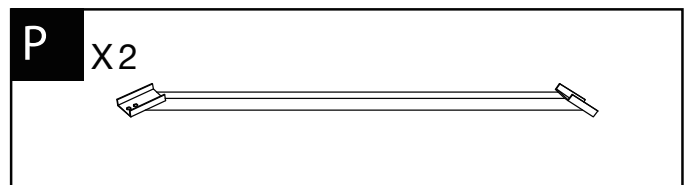
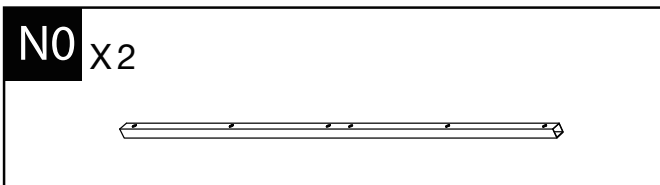
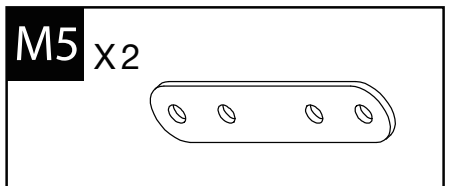
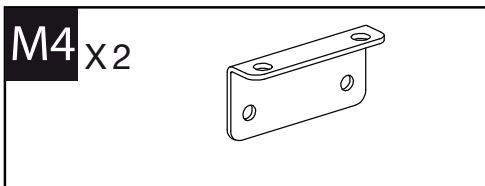
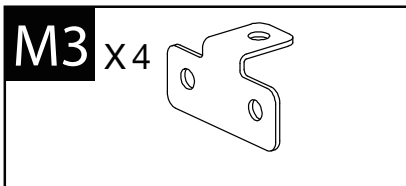
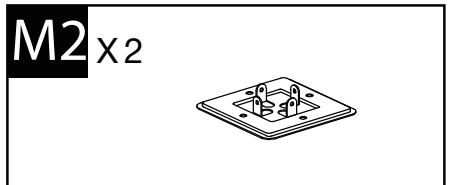
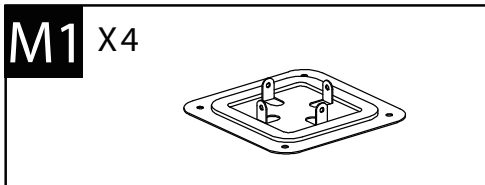
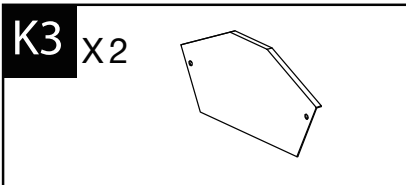
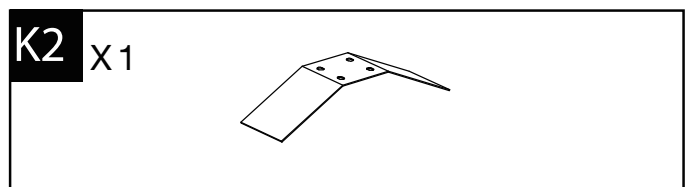
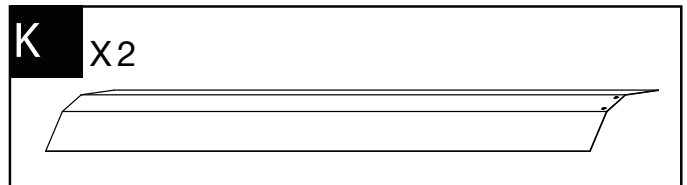
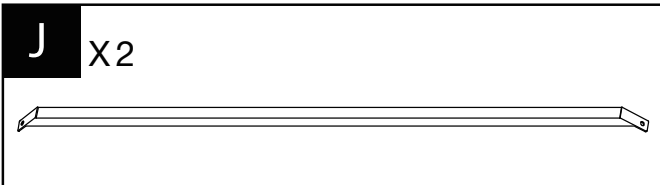
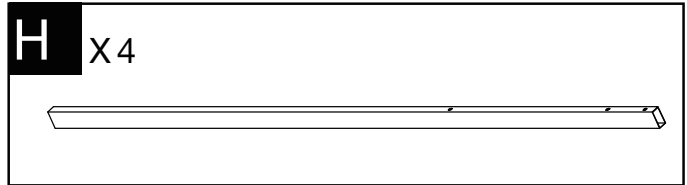
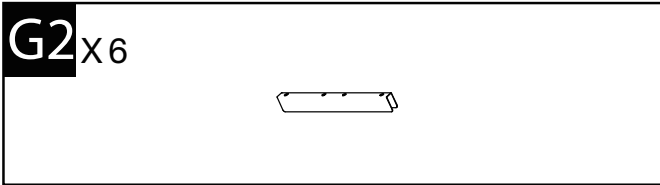
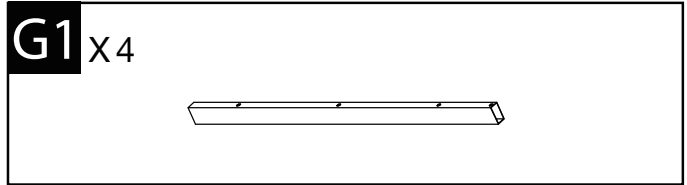
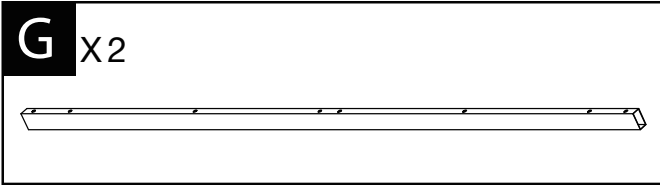
Sold separately. / Vendus séparément. / vendido en las opciones. / 옵션 판매 / Optional erhältlich

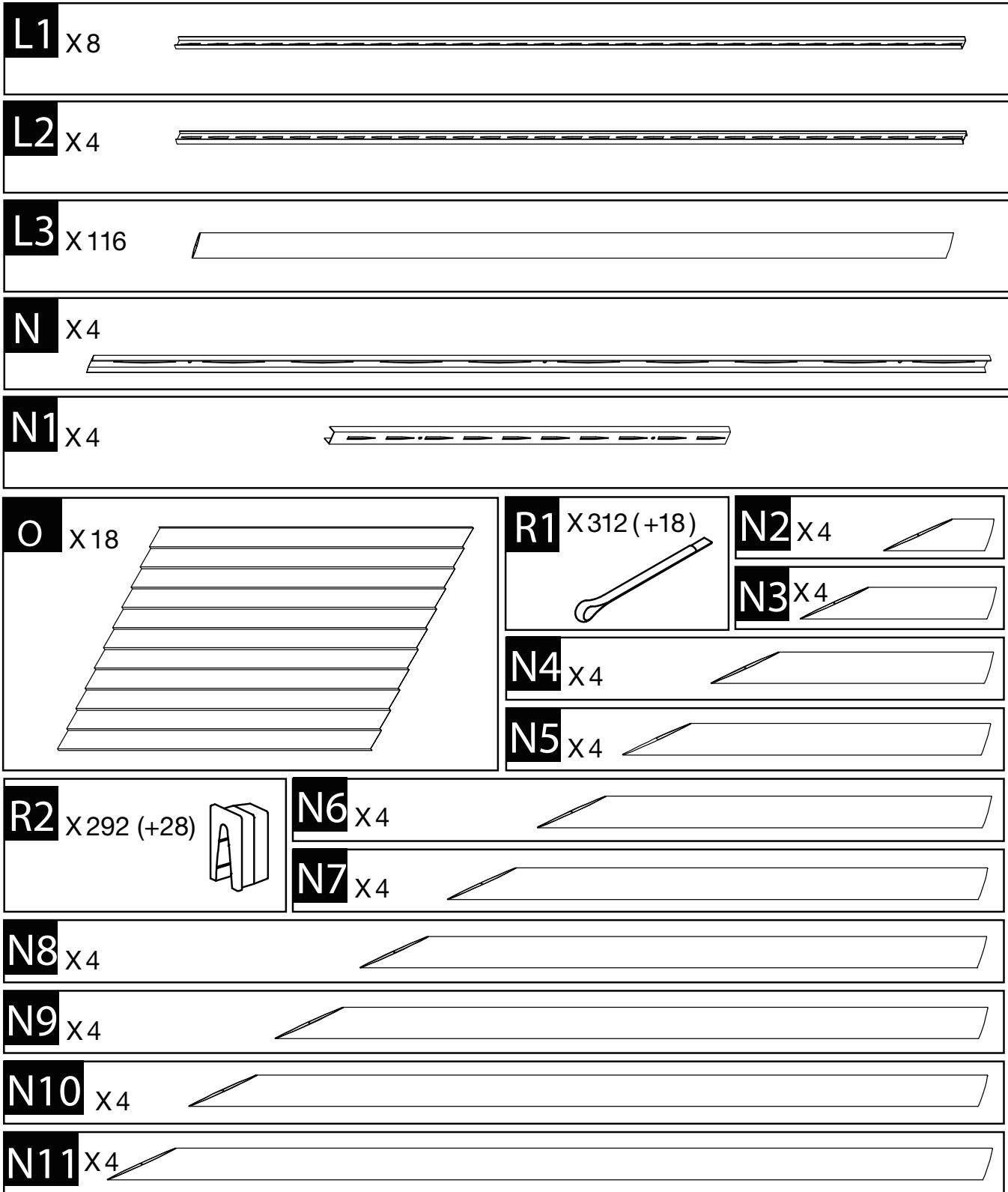


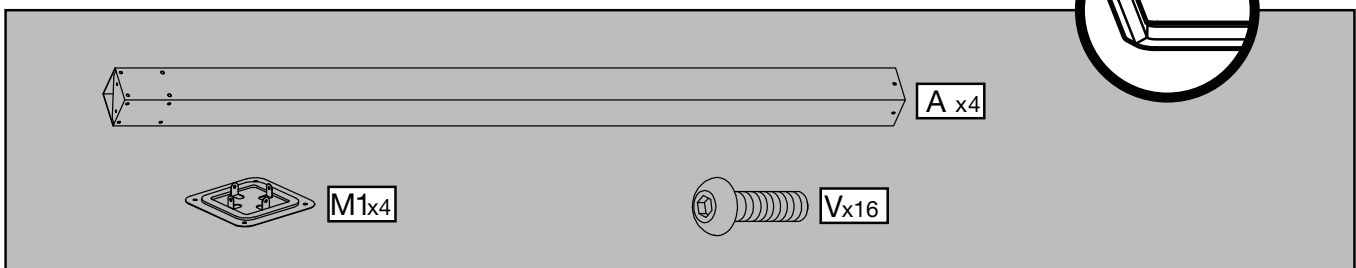
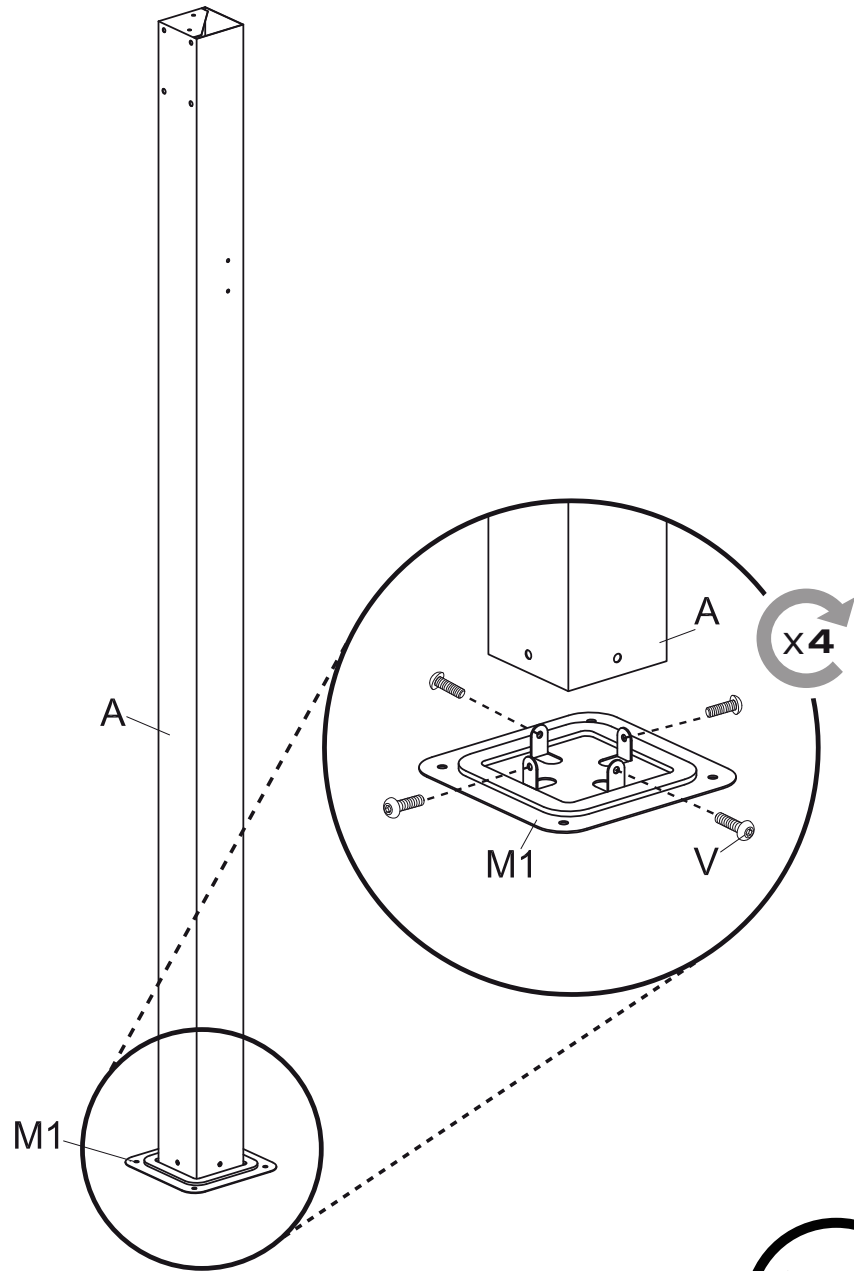
Optional step / Étape optionnelle / Paso opcional / 선택적 단계 / Optionaler Schritt

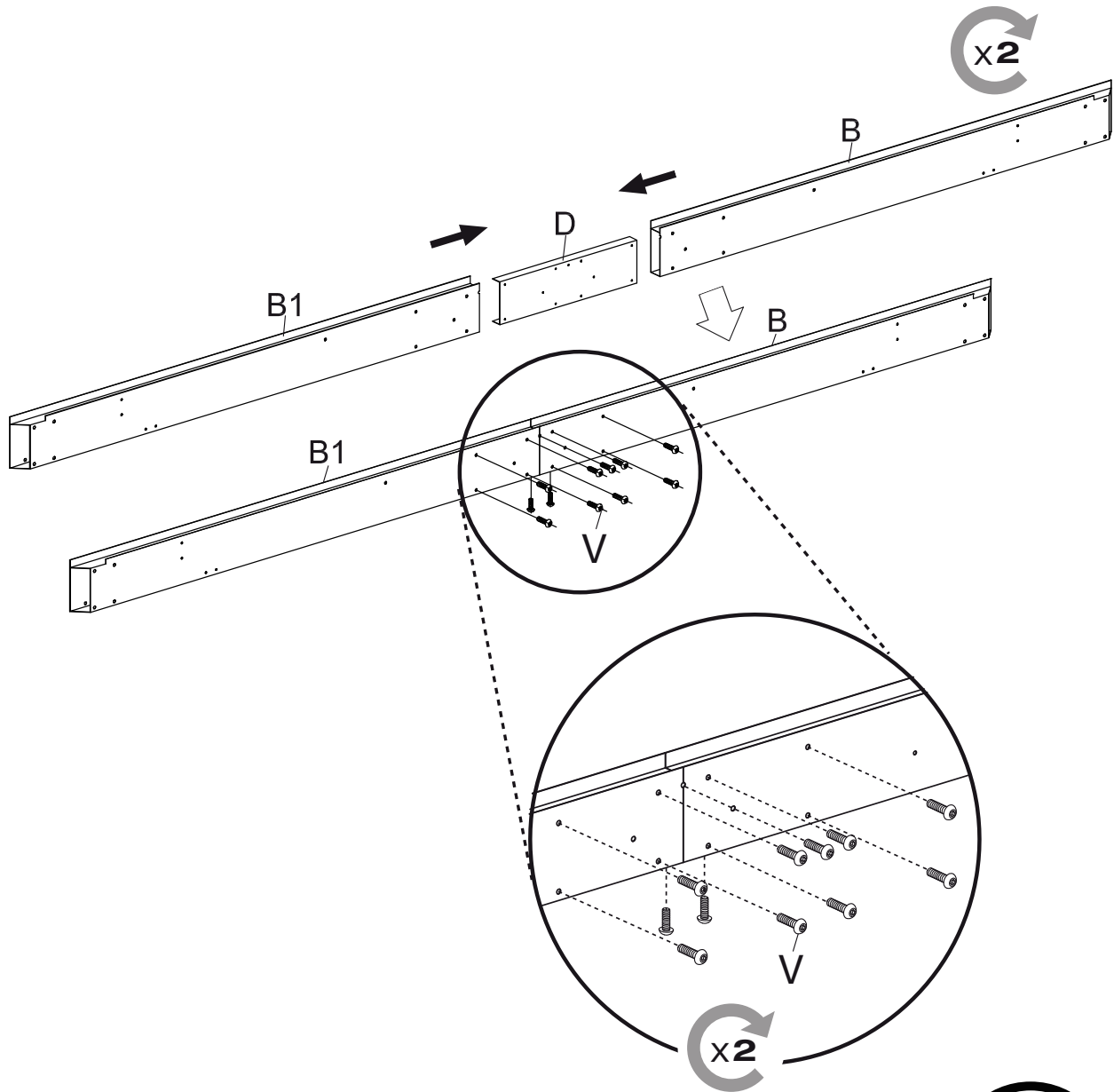
V X 210 (EXTRA 10 pcs) 	V1 X 4 (EXTRA 1 pcs) 
U X 32 (EXTRA 3 pcs) 	X X 32 (EXTRA 3 pcs) 
X1 X 24 (EXTRA 4 pcs) 	Y1 X 20 (EXTRA 4 pcs) 
Y X 20 (EXTRA 4 pcs) 	Y2 X 20 (EXTRA 4 pcs) 
Wa X 2 	Z X 1 



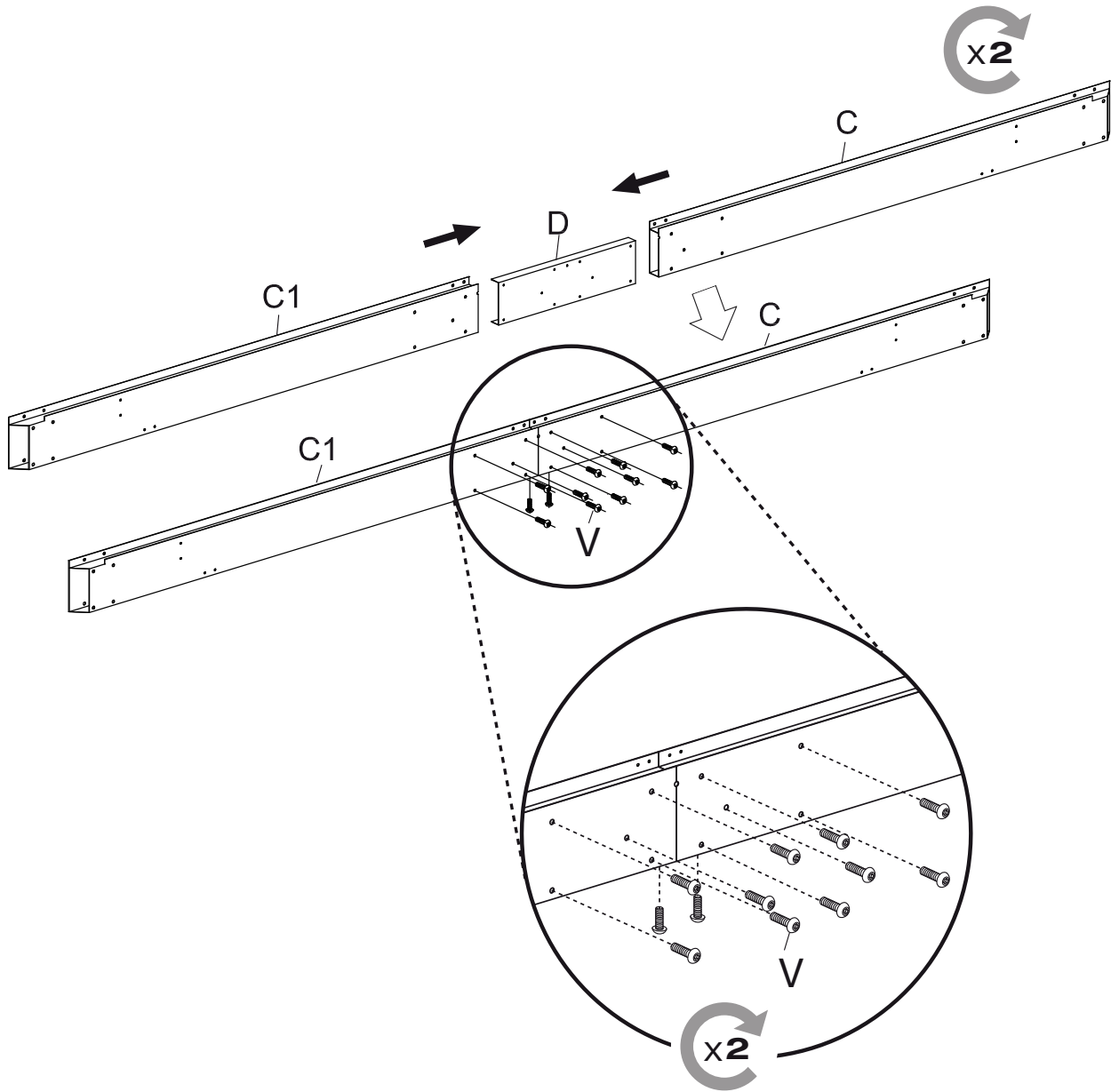






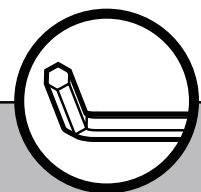
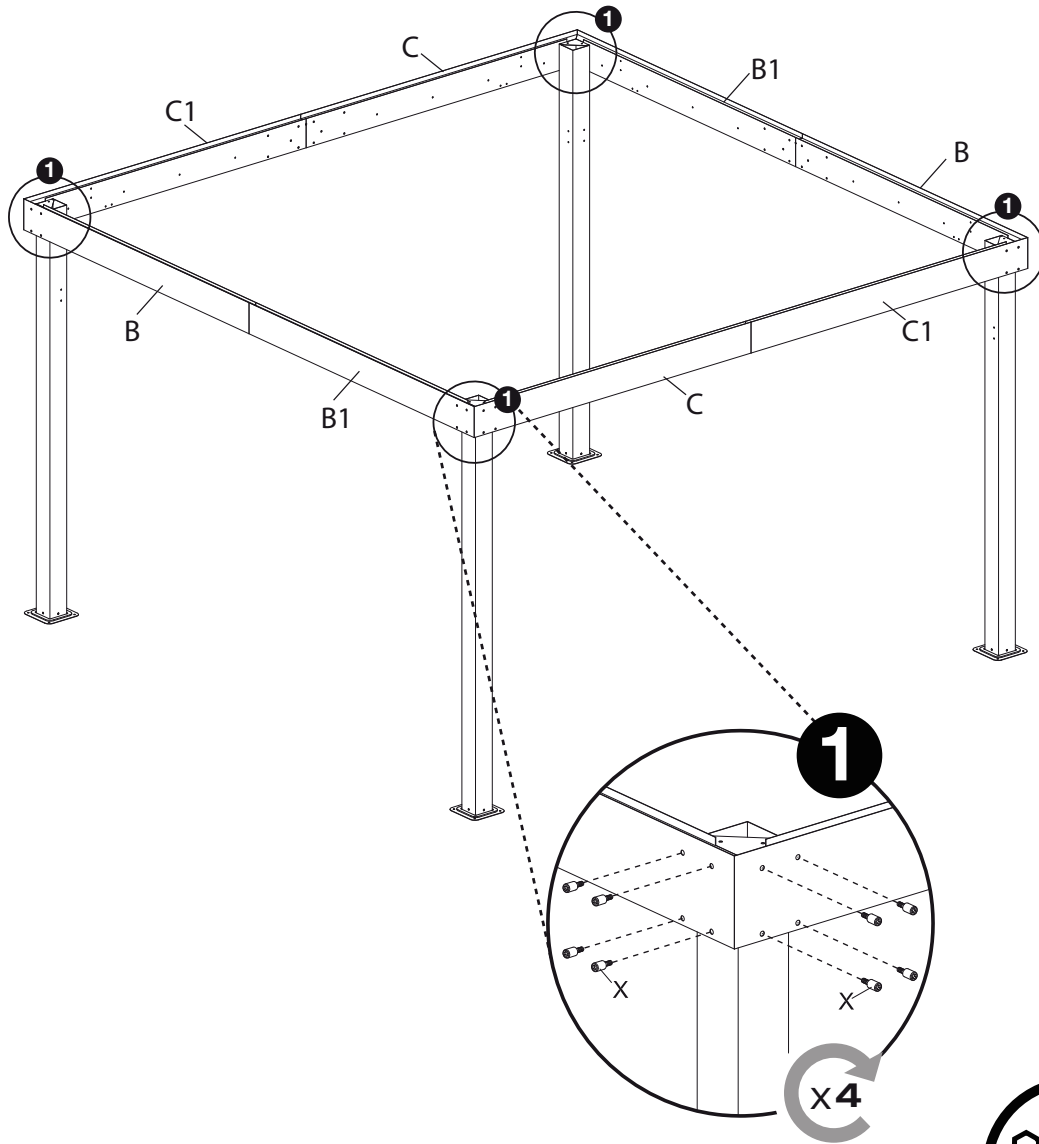


This section lists the components required for the assembly. It includes two long beams labeled Bx2, two shorter beams labeled B1x2, two intermediate beams labeled Dx2, and 22 screws labeled Vx22. A circular icon shows a corner bracket component.

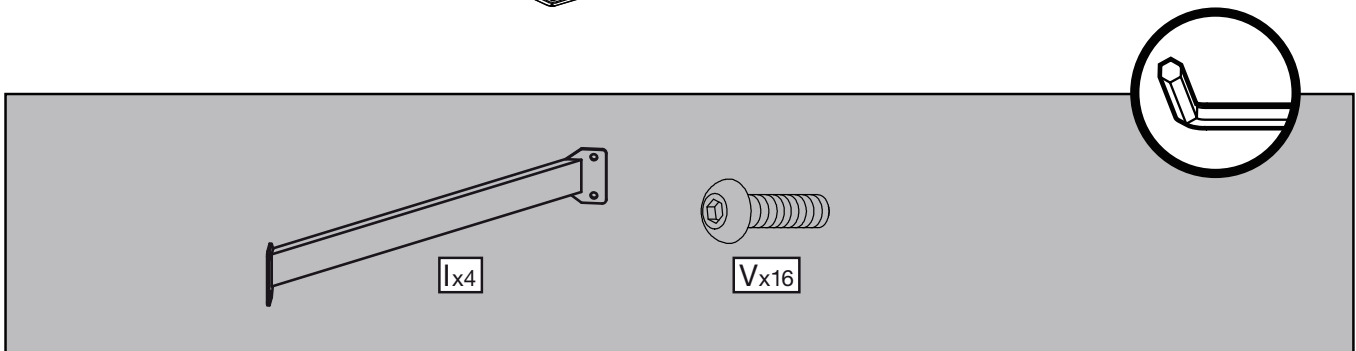
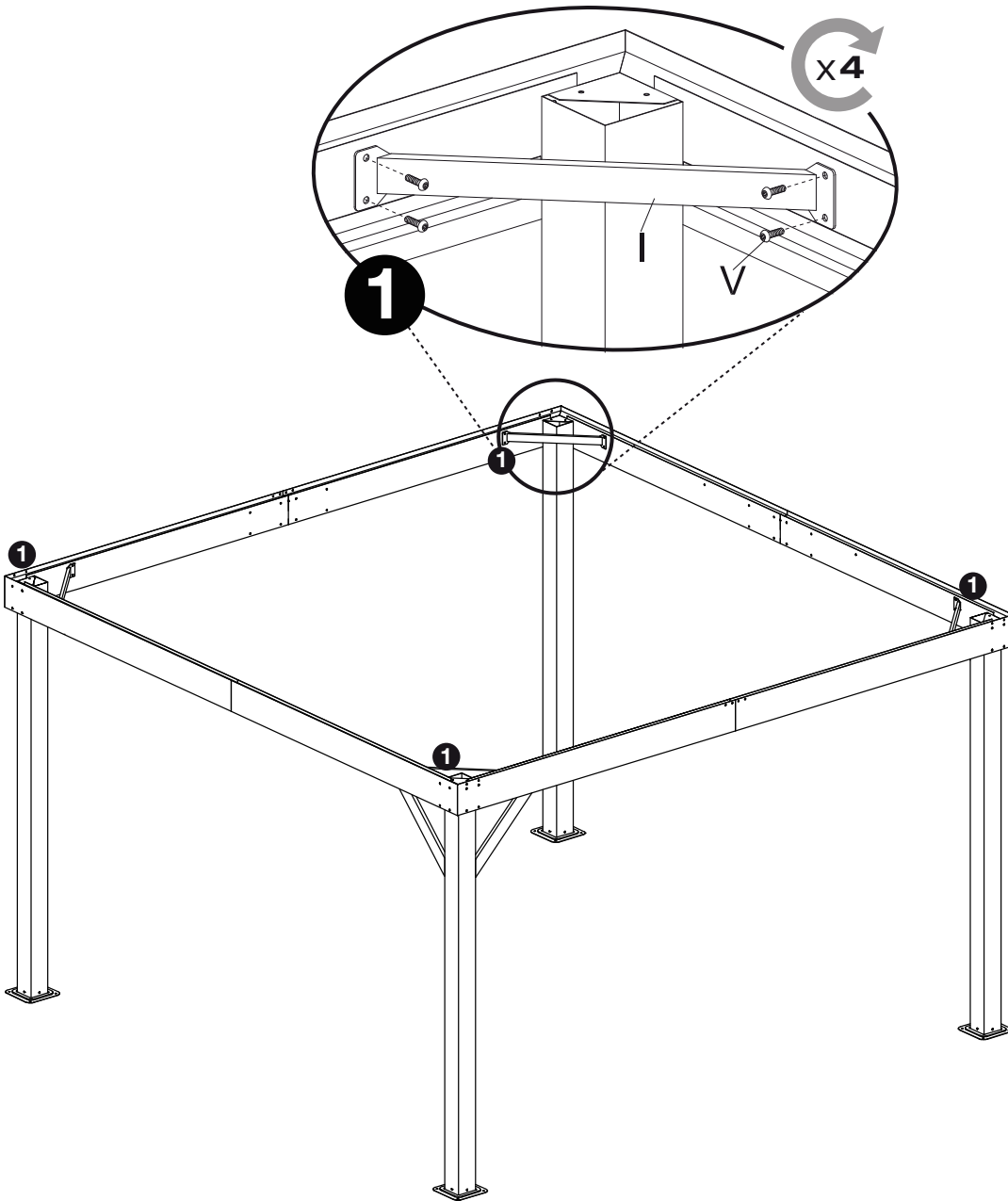


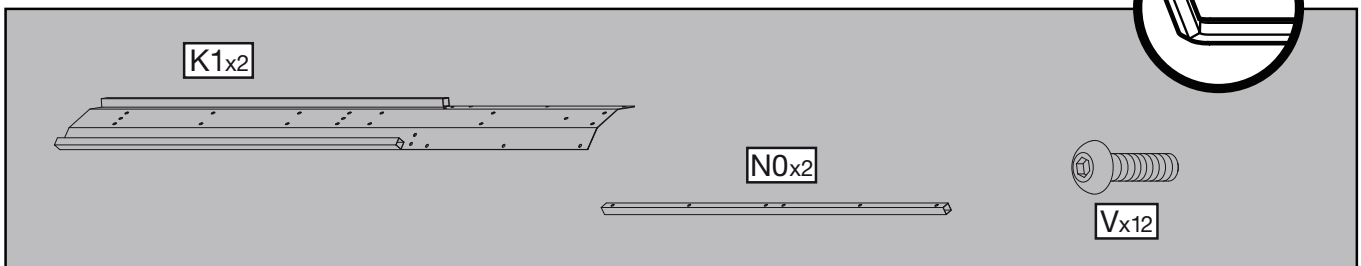
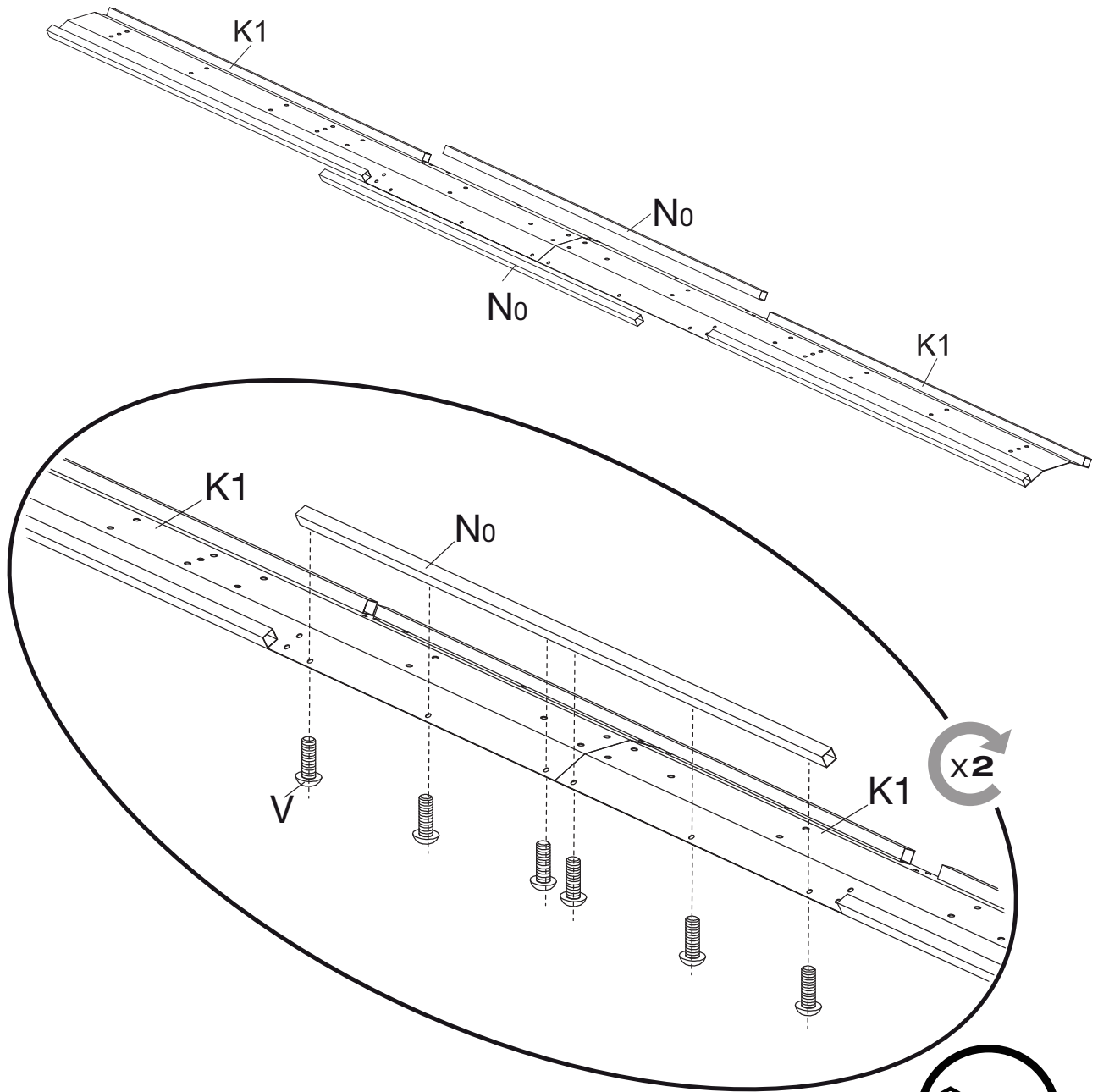
This section lists the parts required for the assembly. It includes two long rails labeled C and C1, a central support labeled D, and 24 fasteners labeled V. A circular callout shows a detail of the fastener V. The parts are arranged as follows:

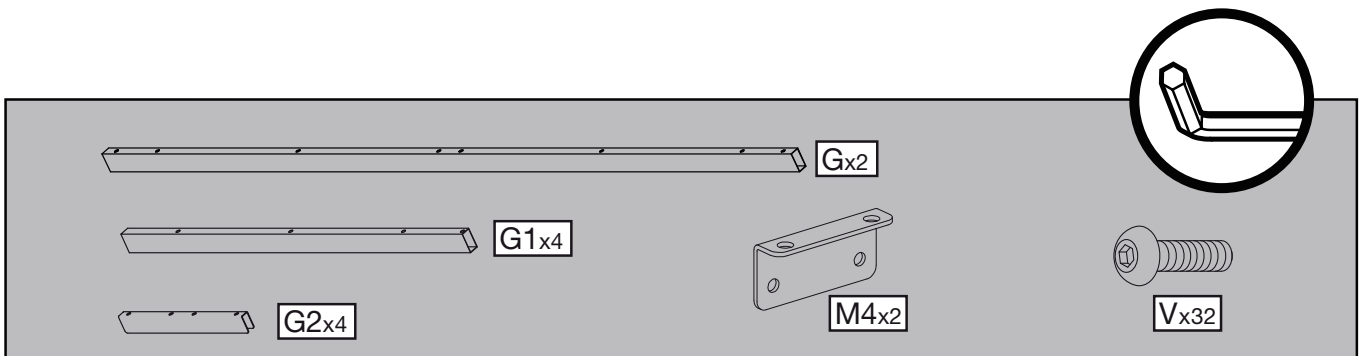
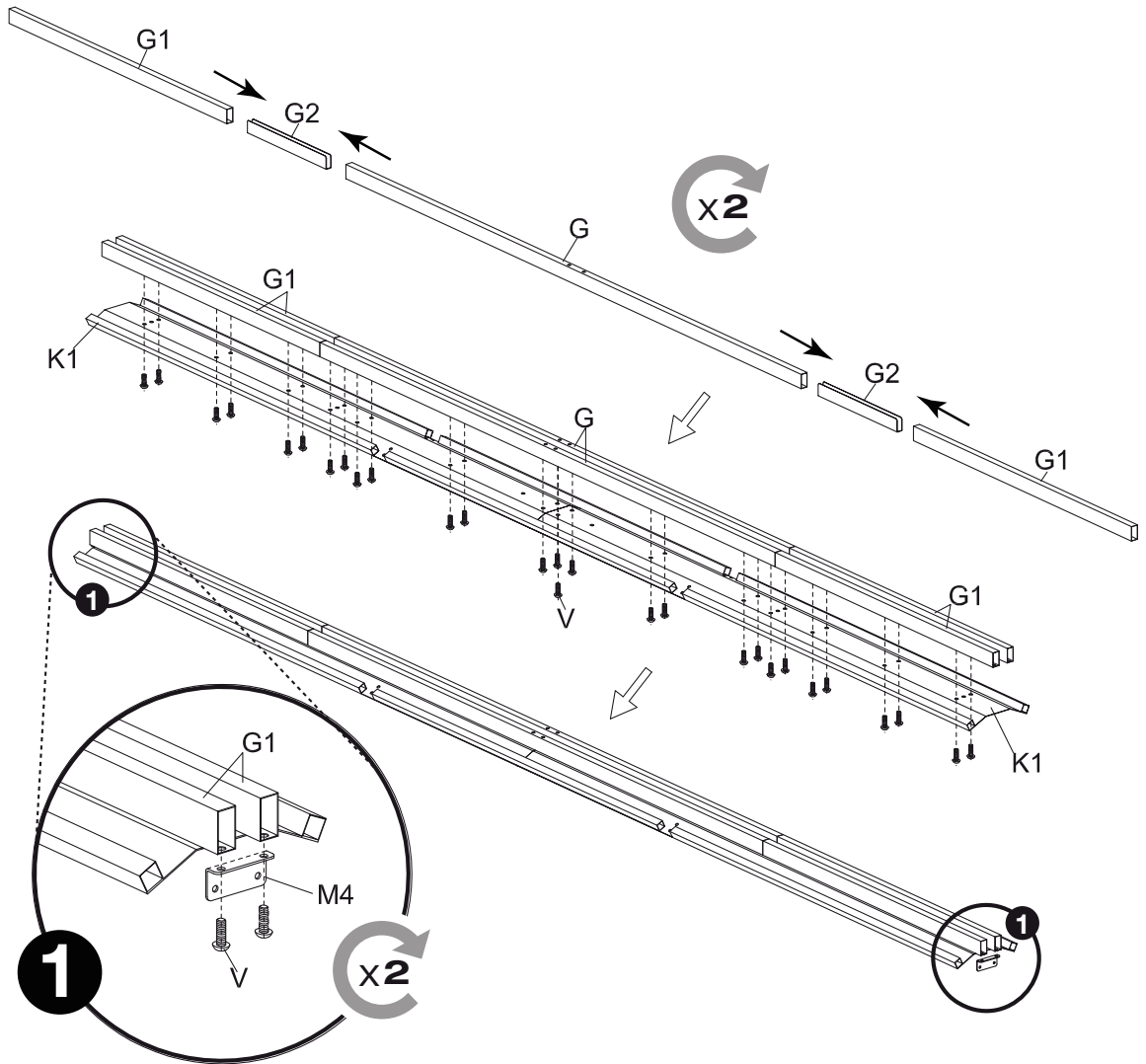
- Two long rails labeled C and C1.
- One central support labeled D.
- 24 fasteners labeled V.

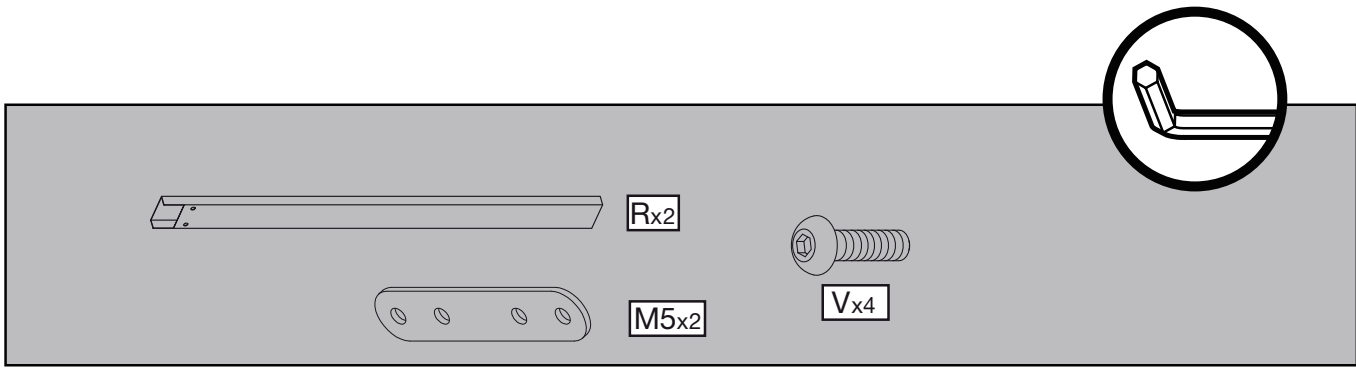
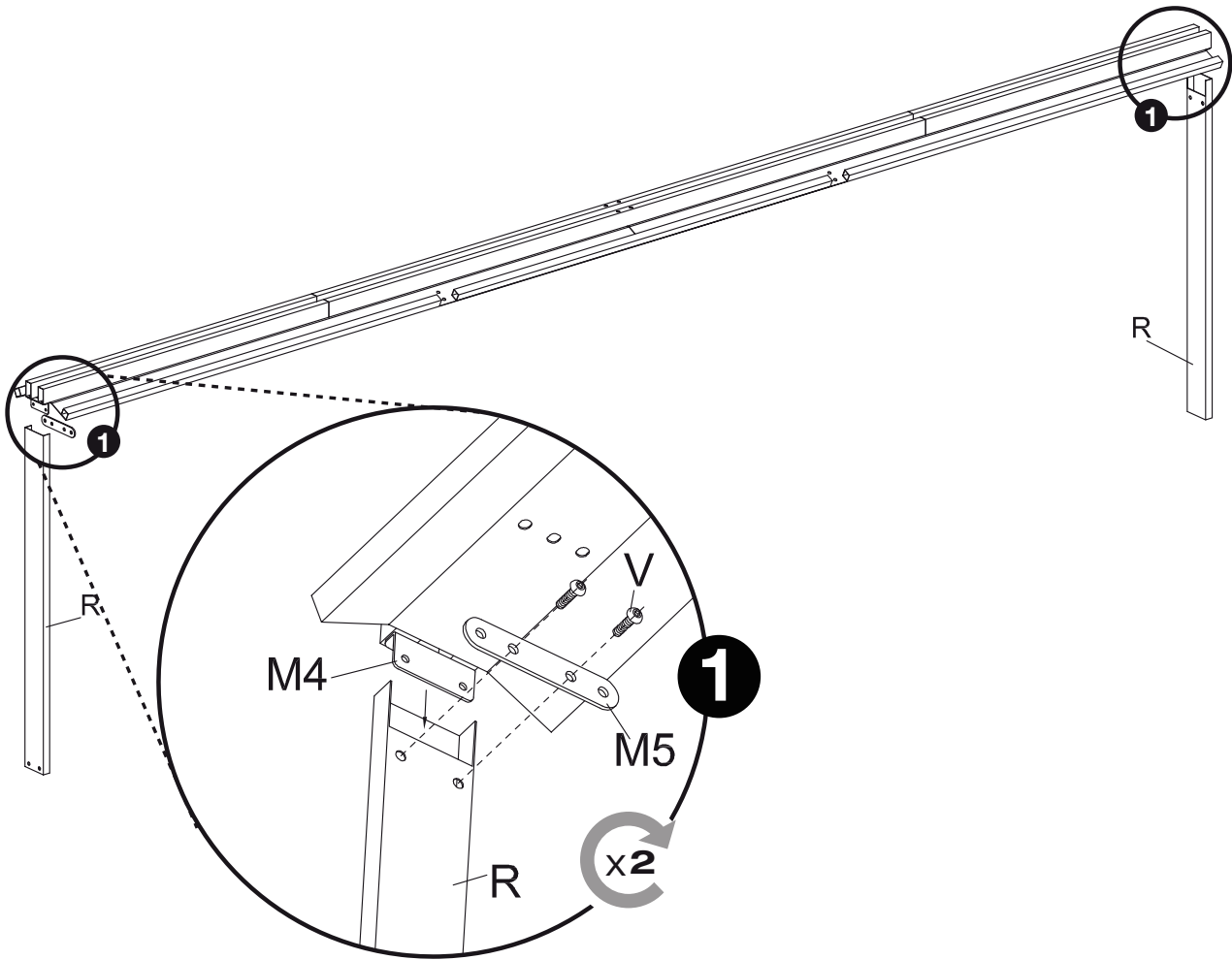


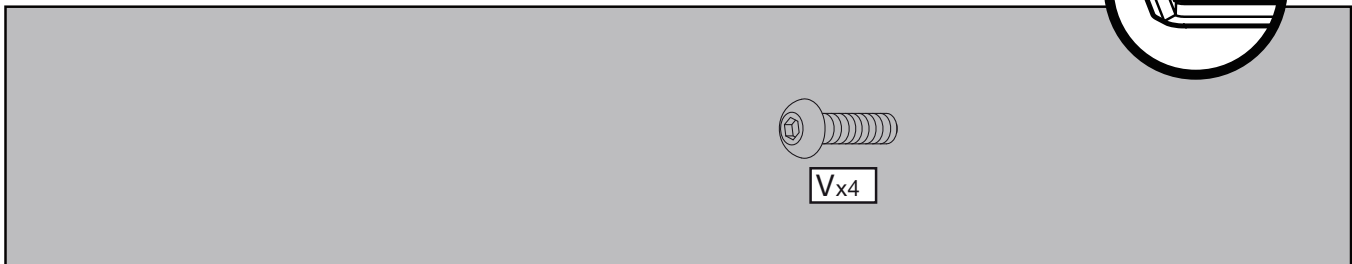
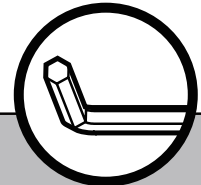
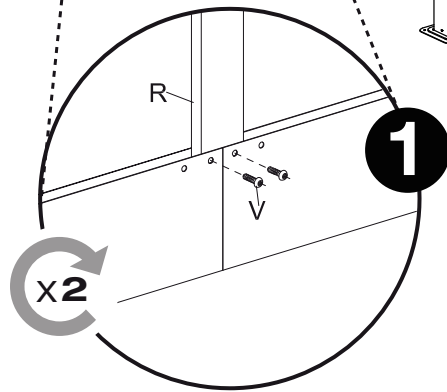
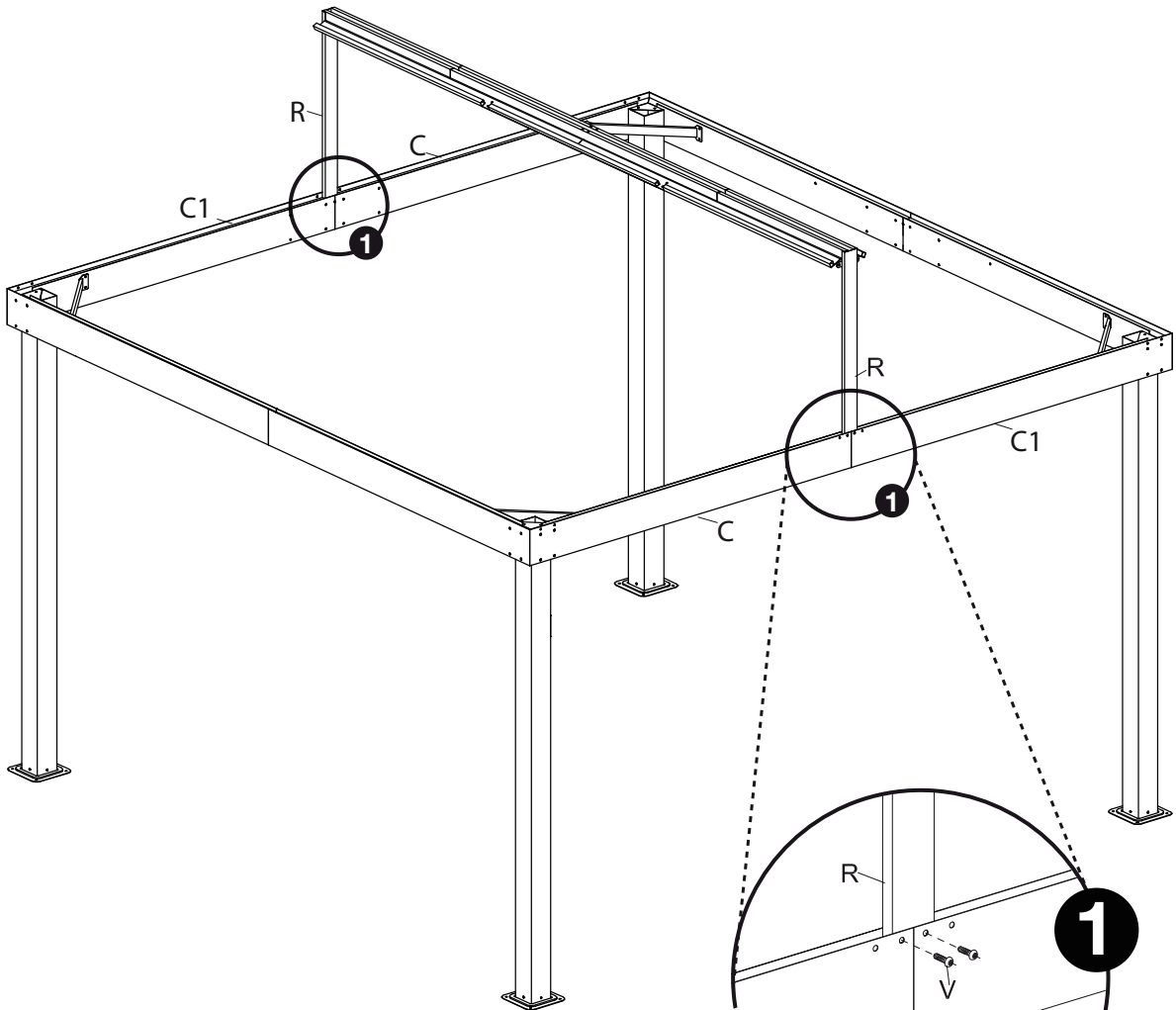
X x32

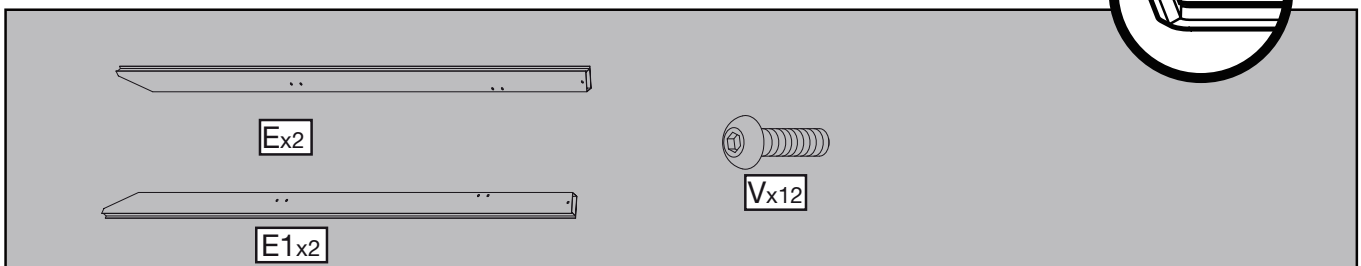
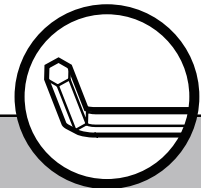
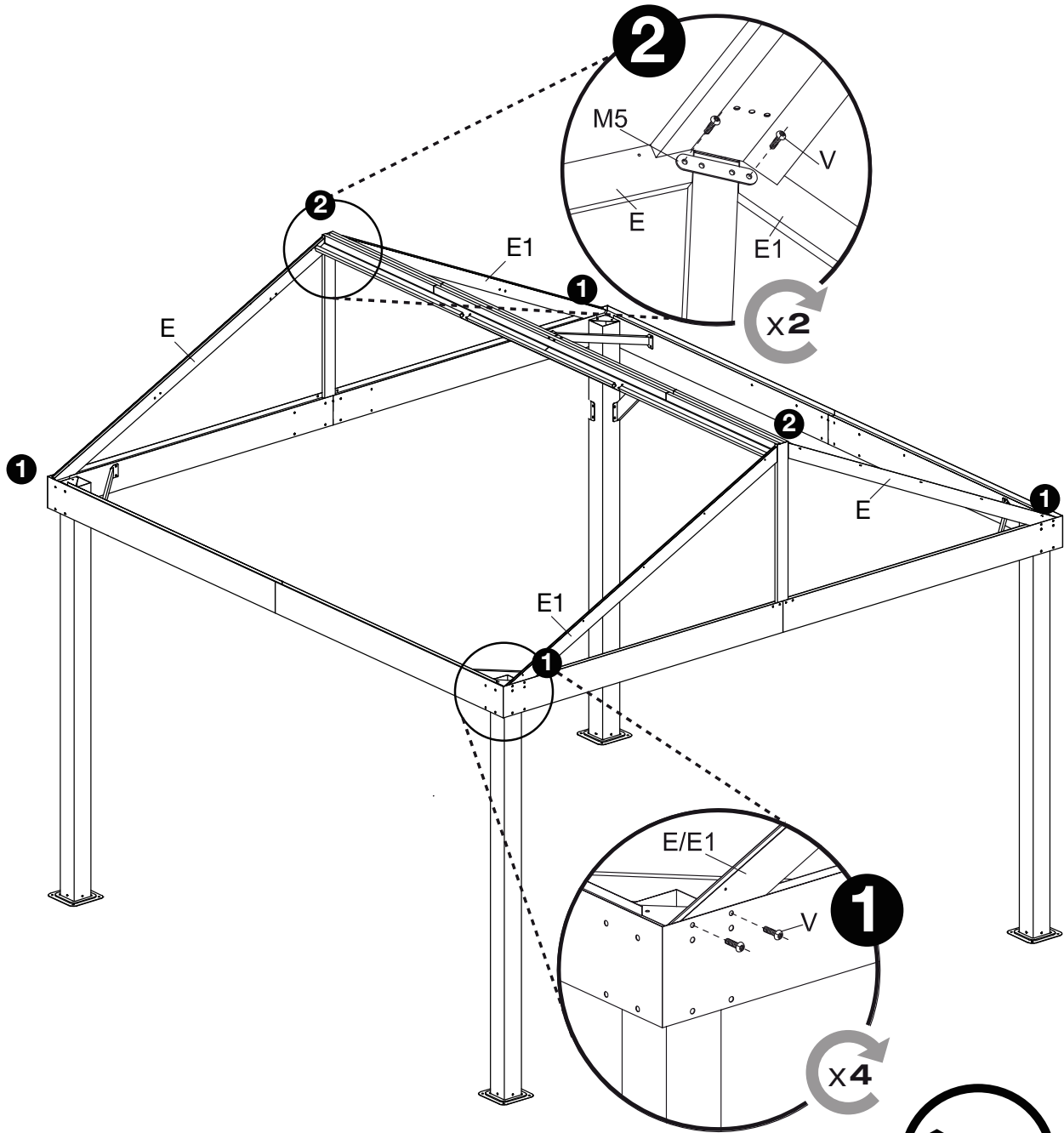


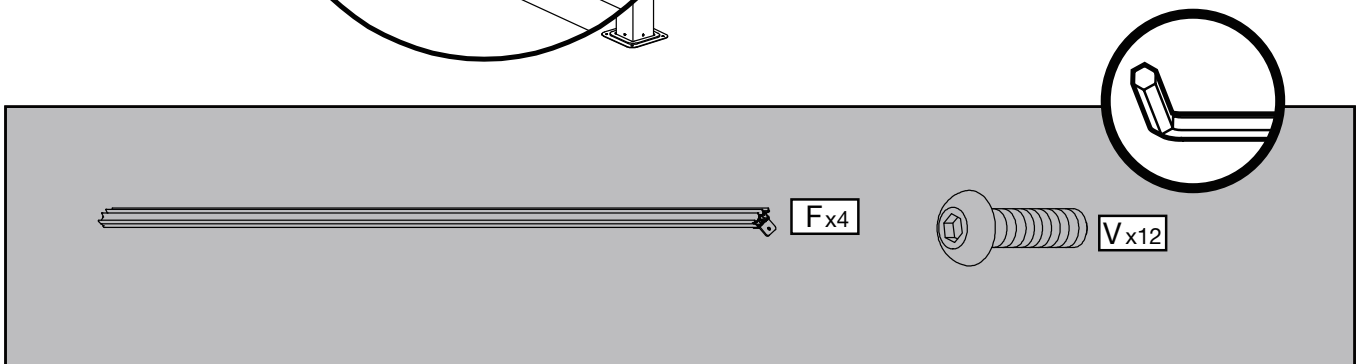
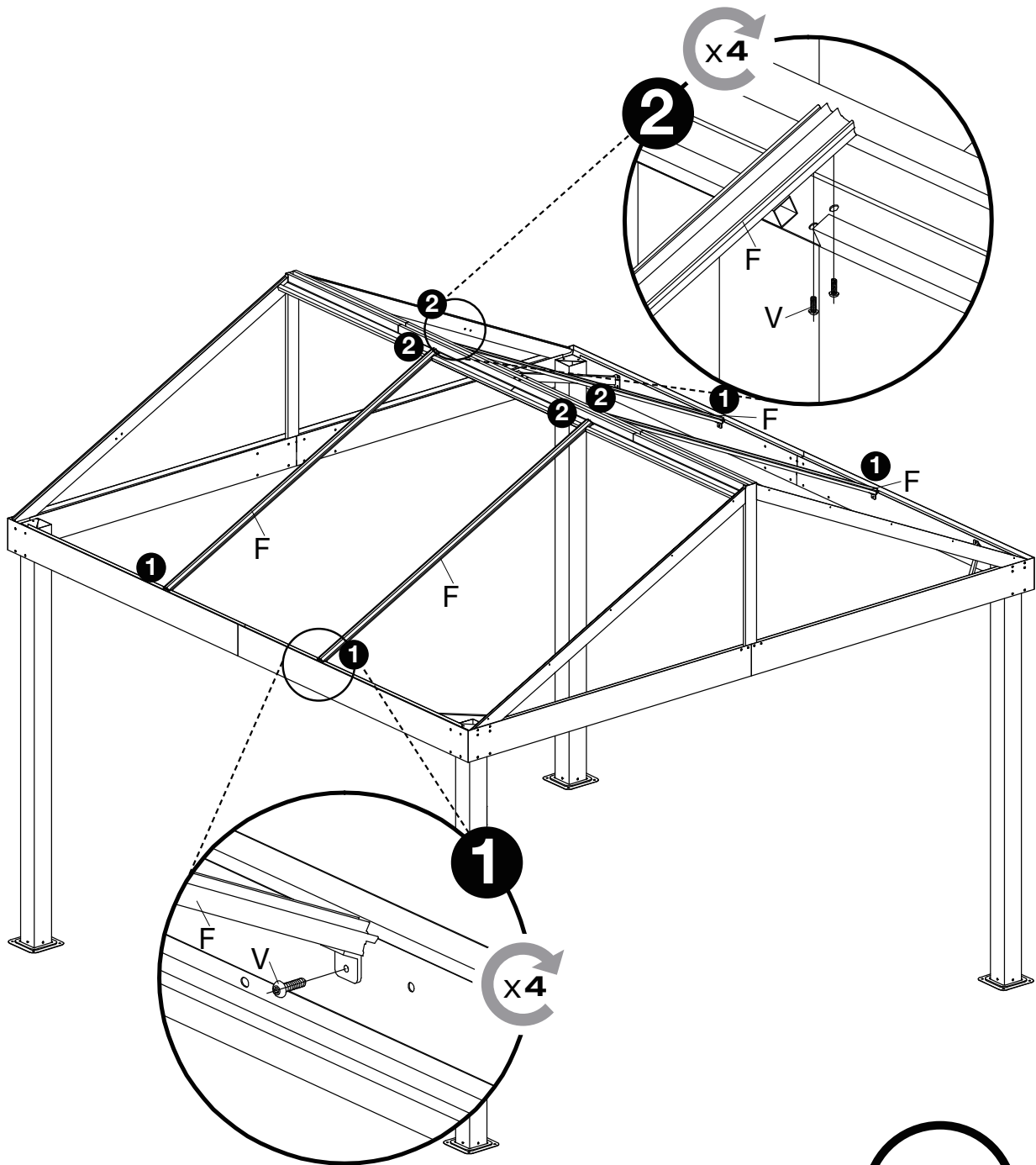


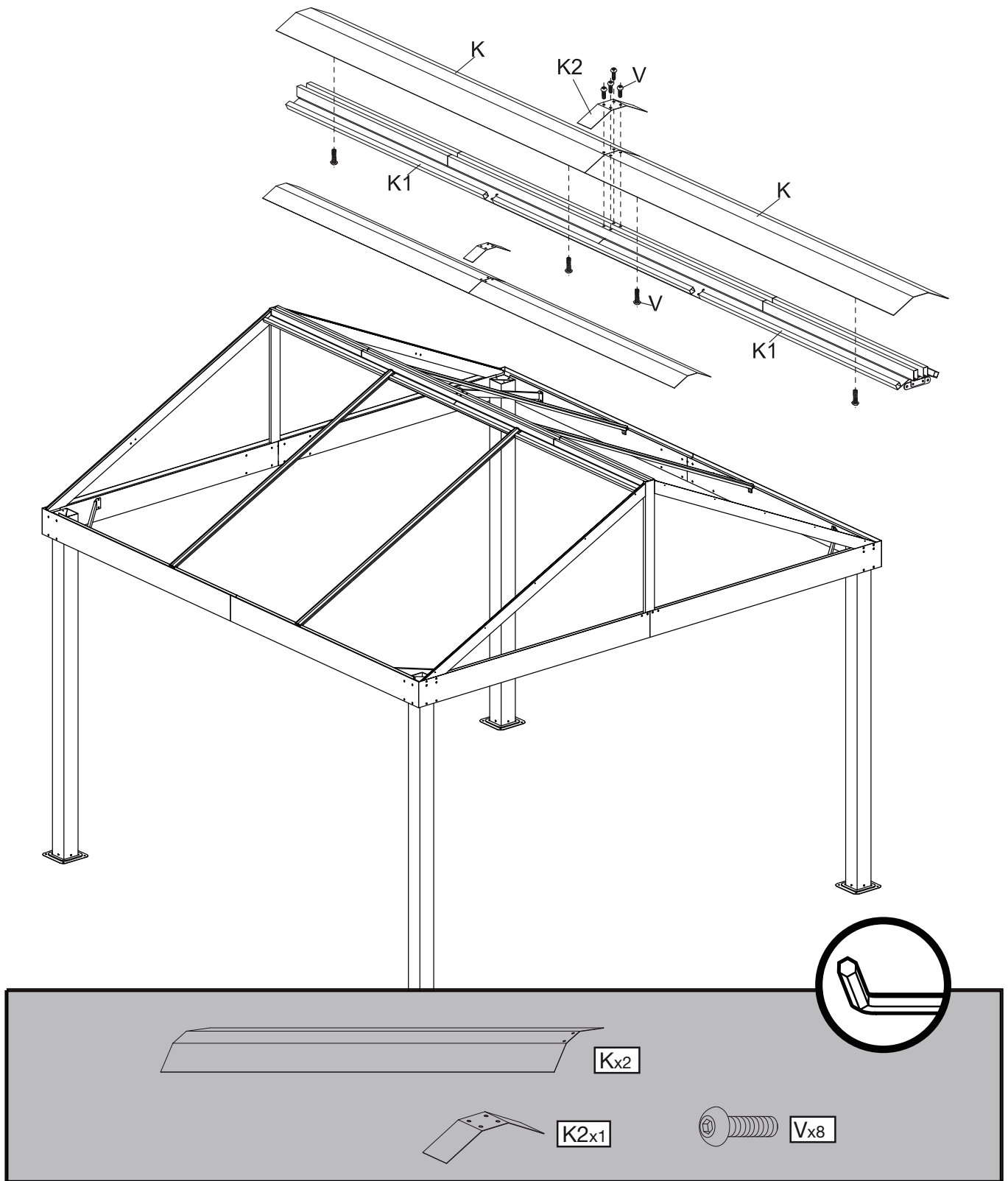


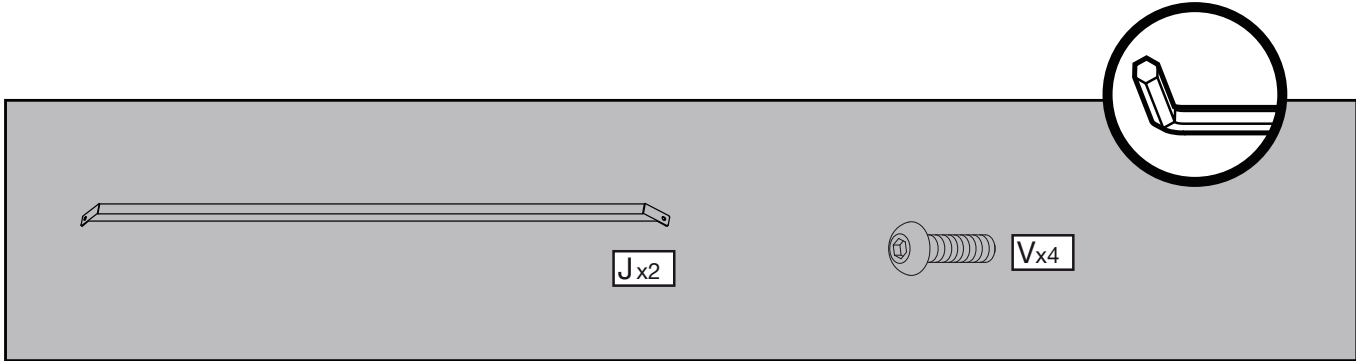
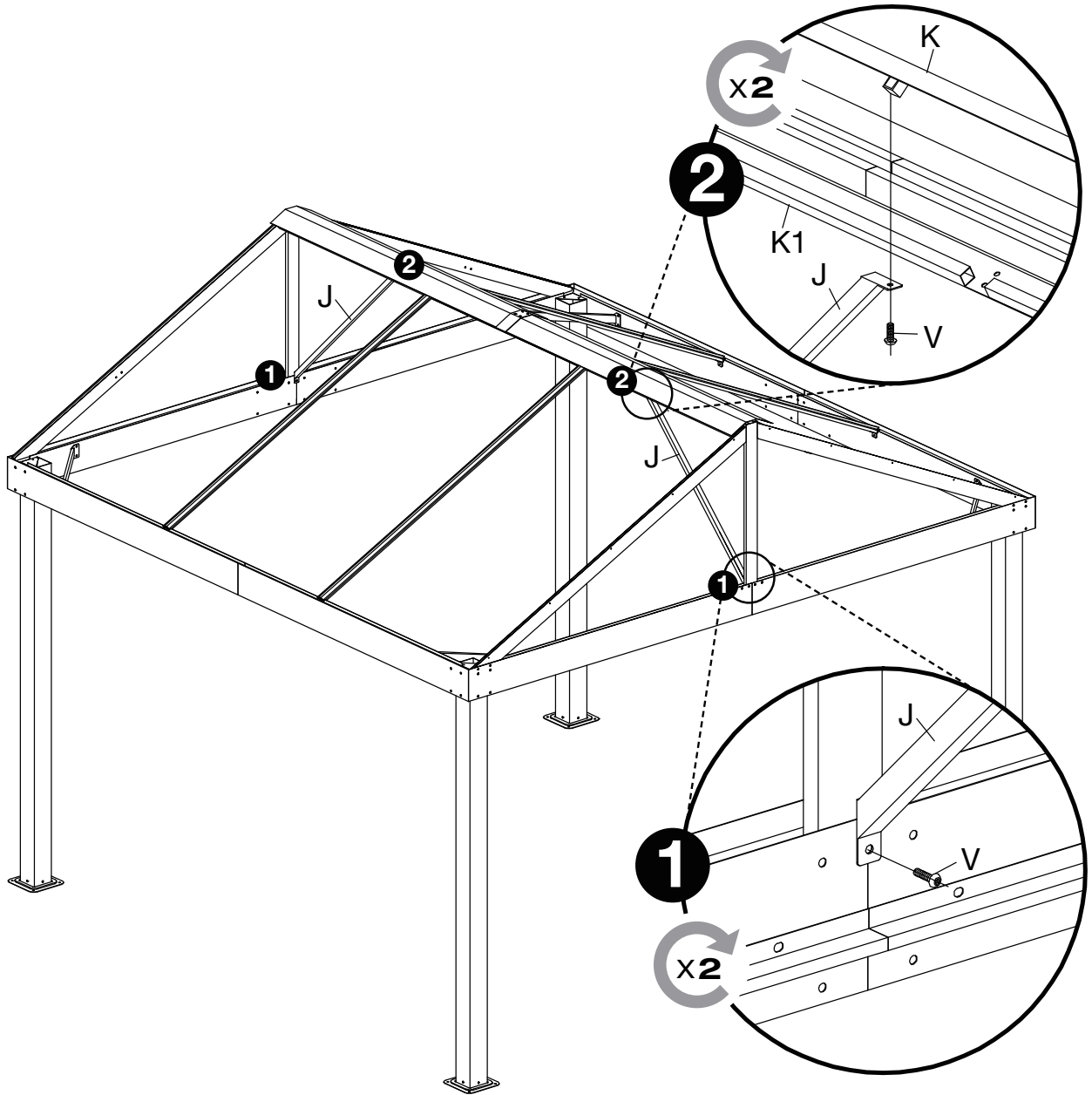


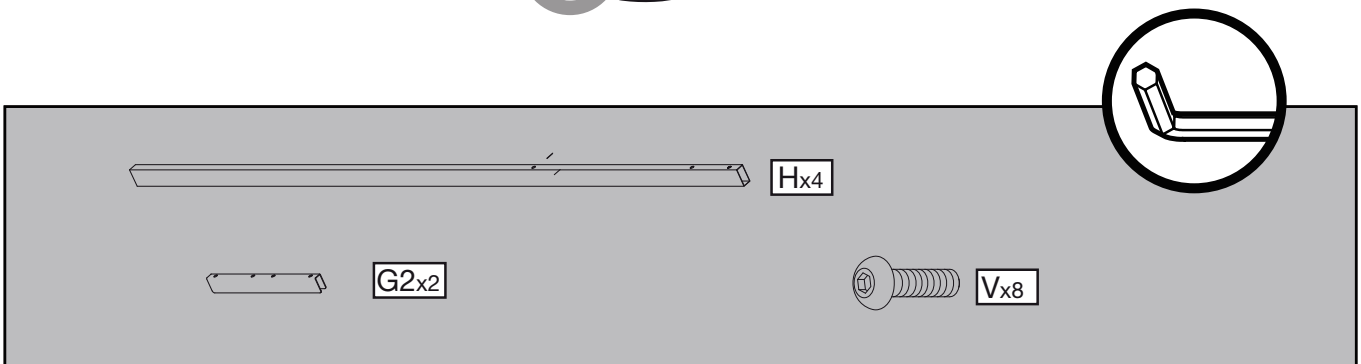
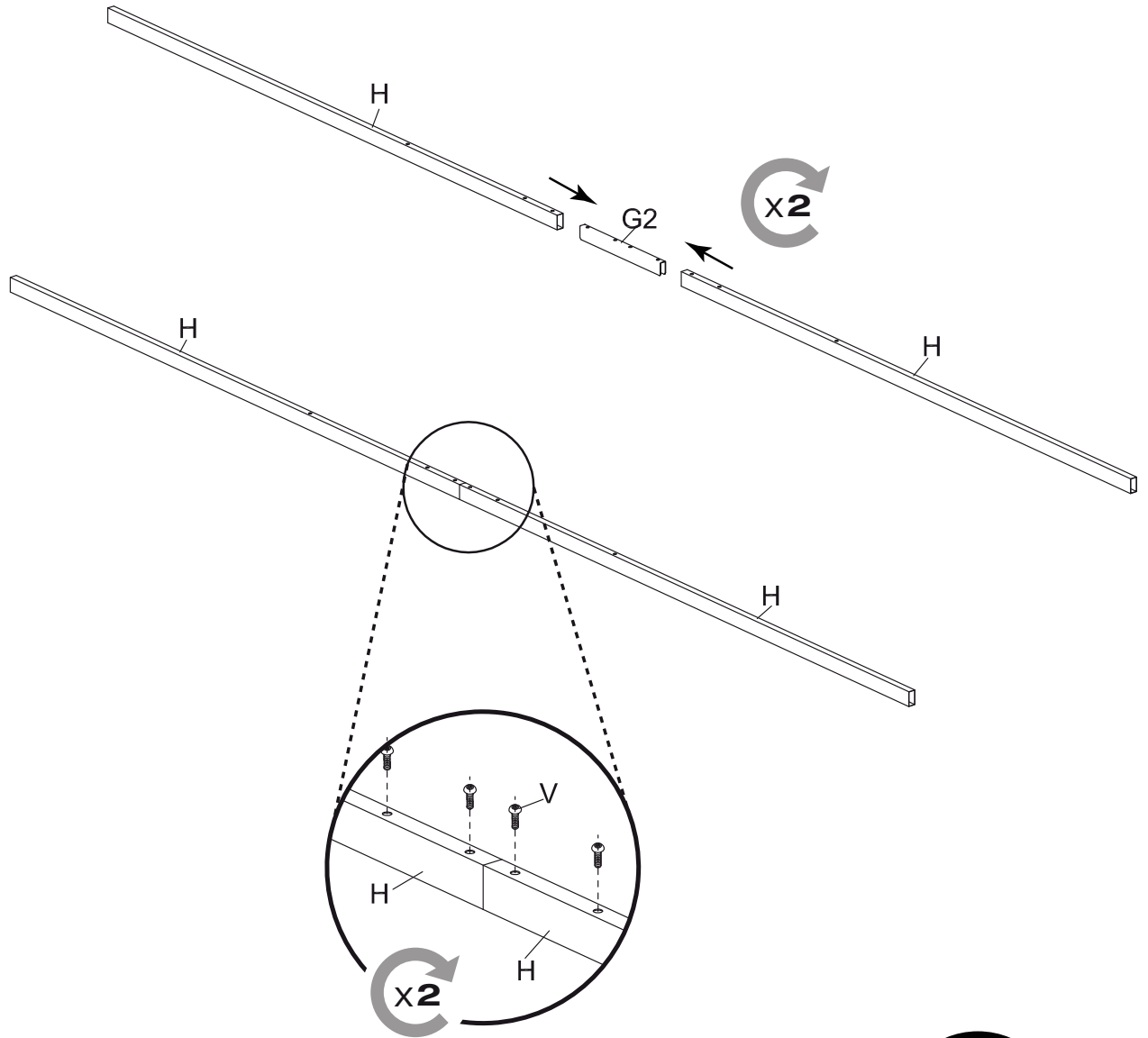


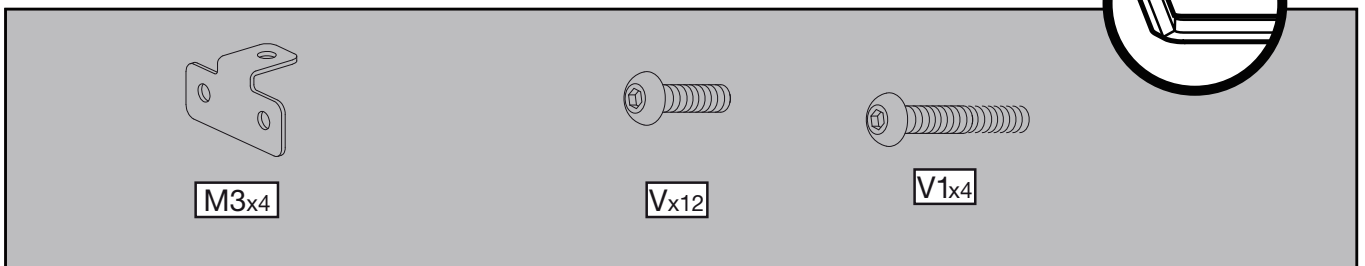
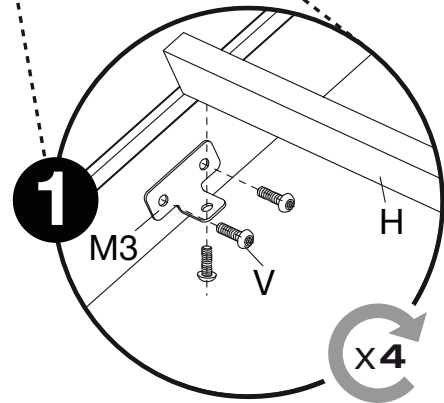
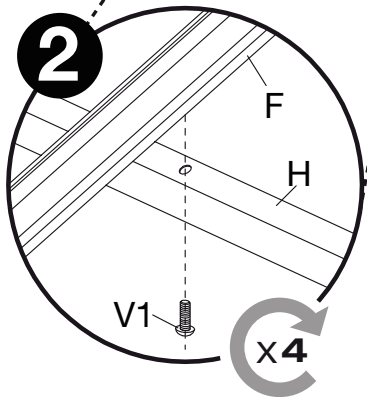
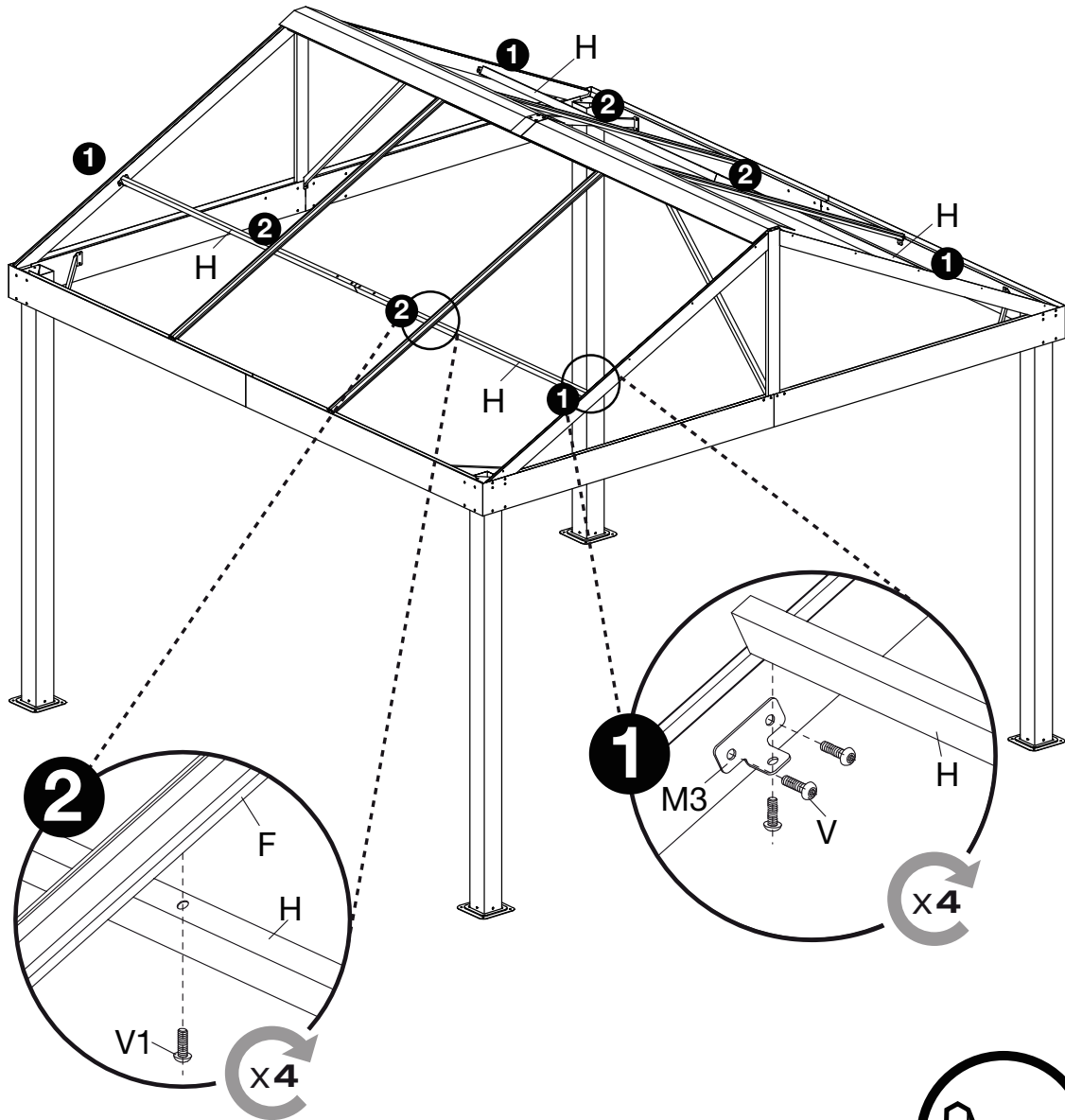


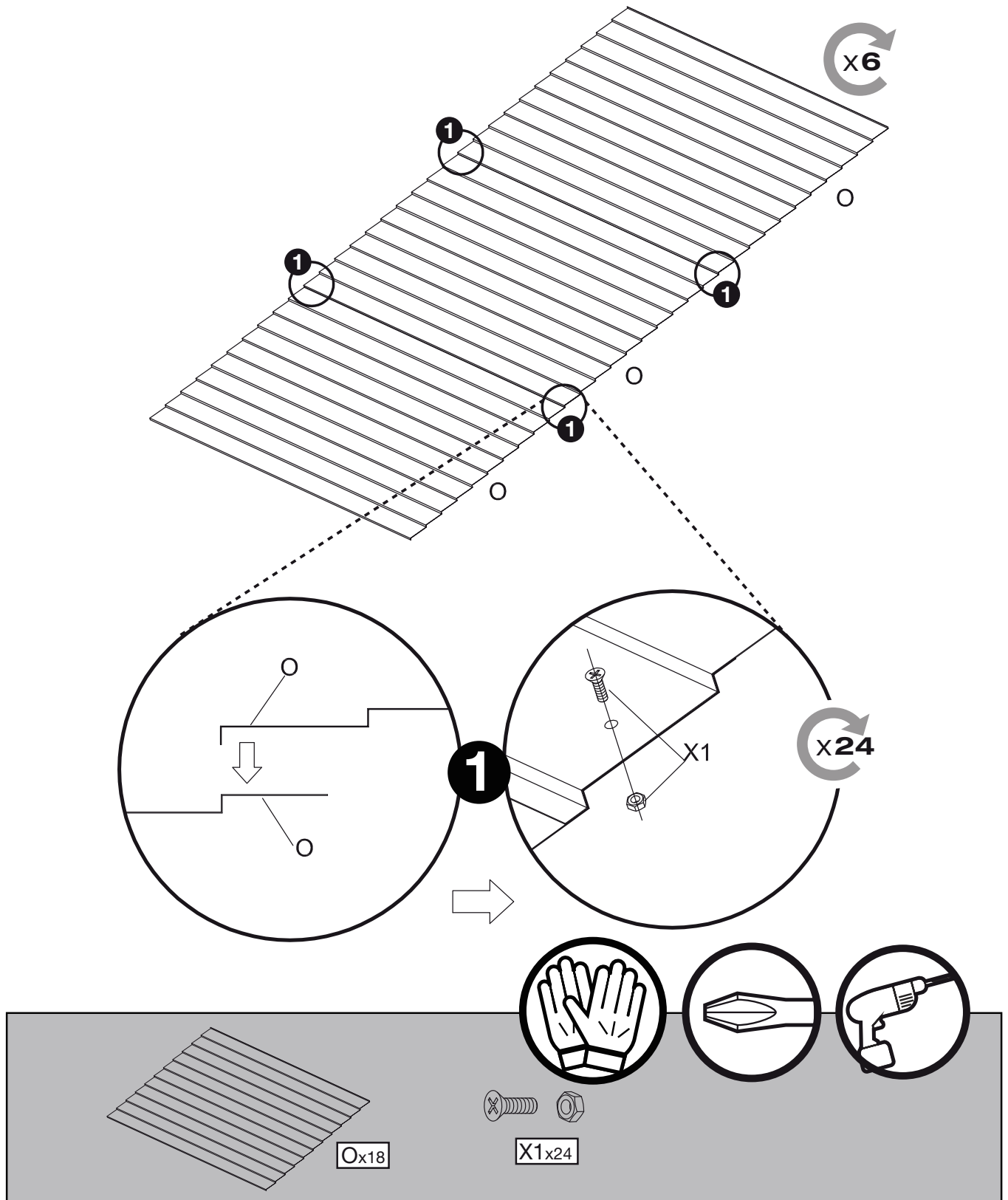


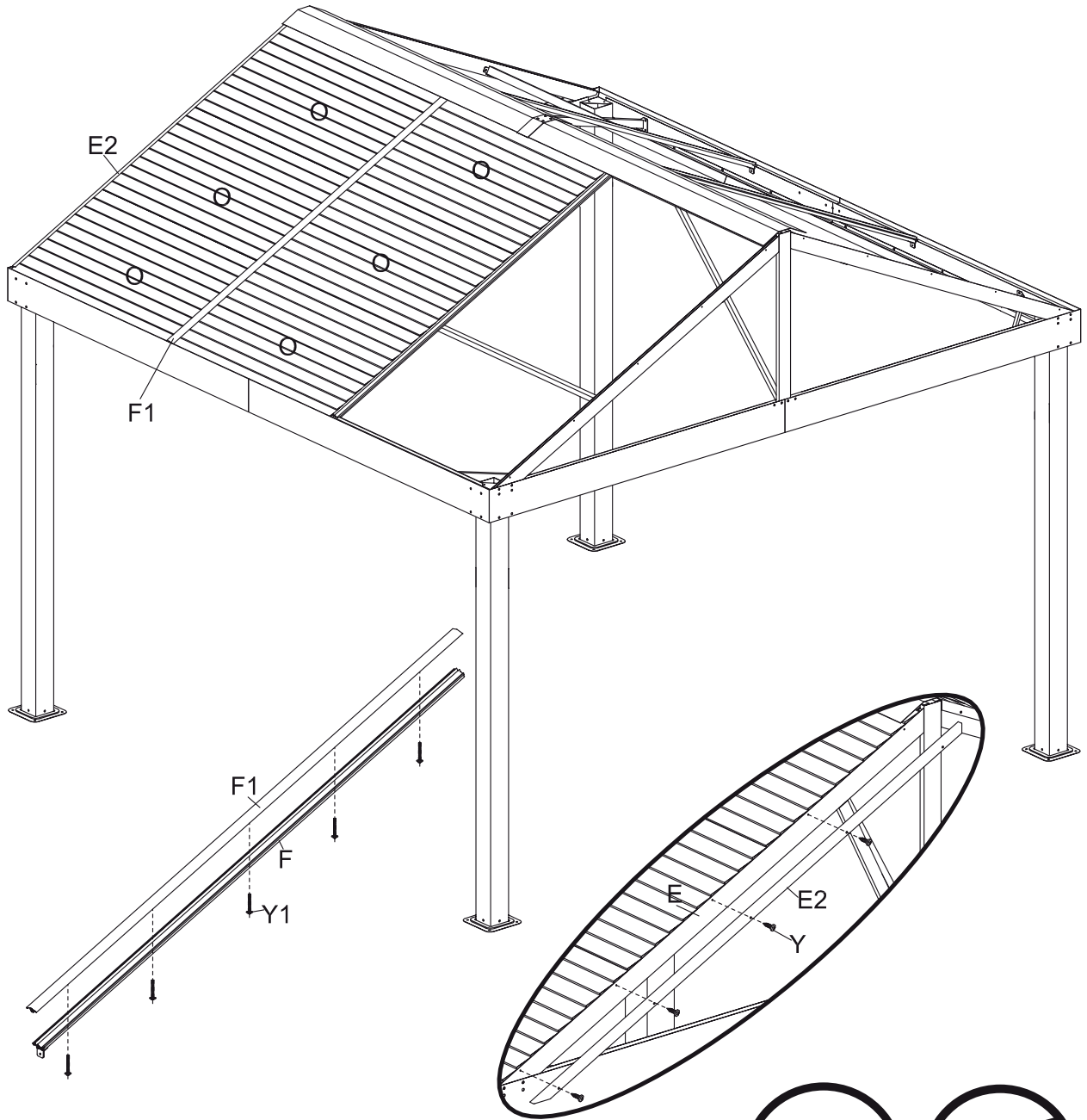






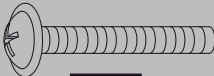



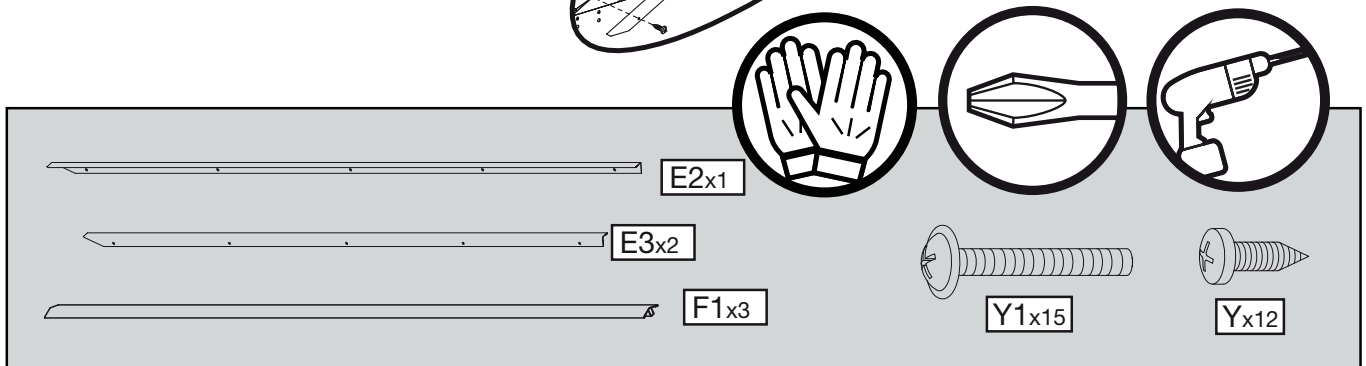
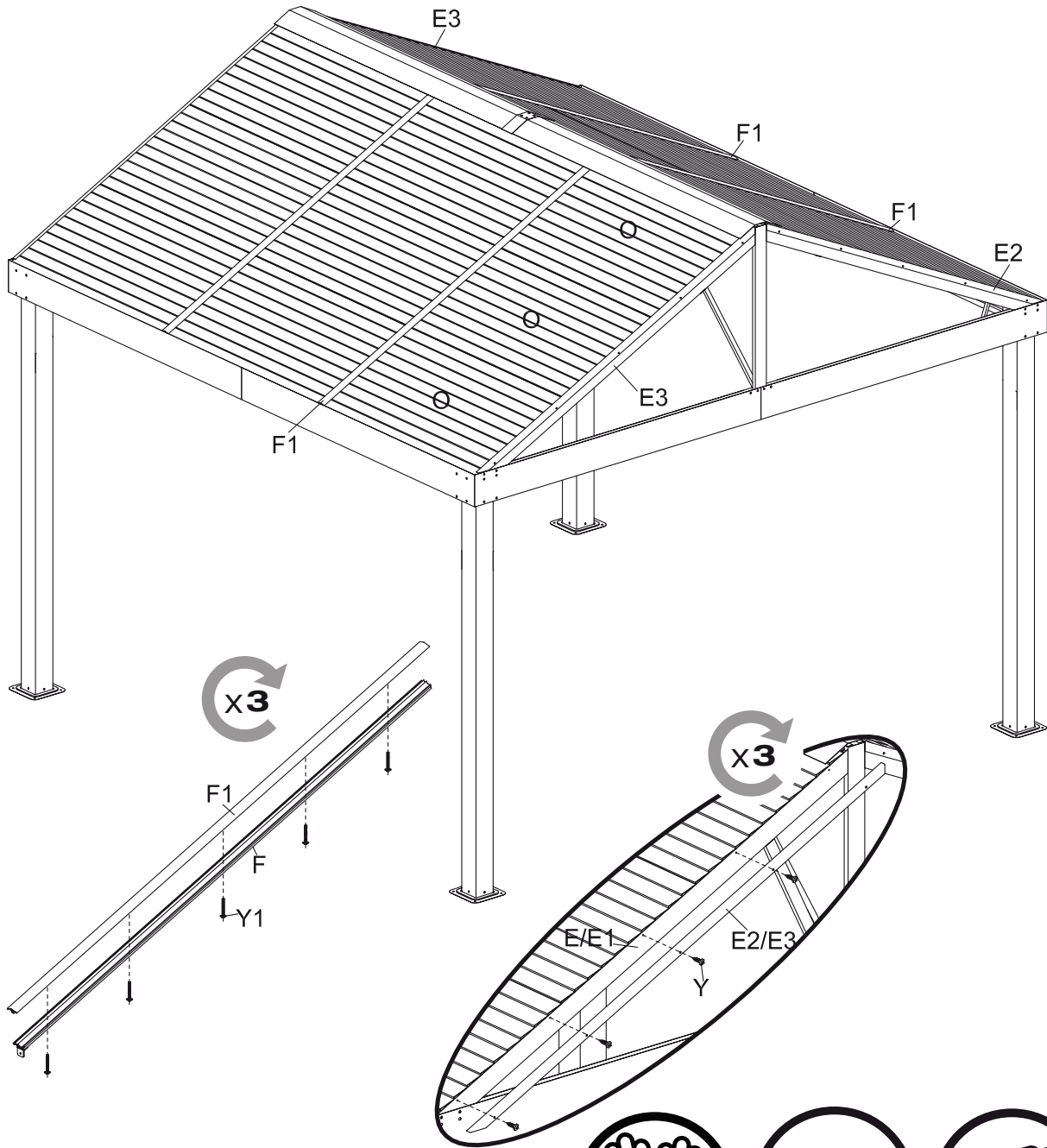


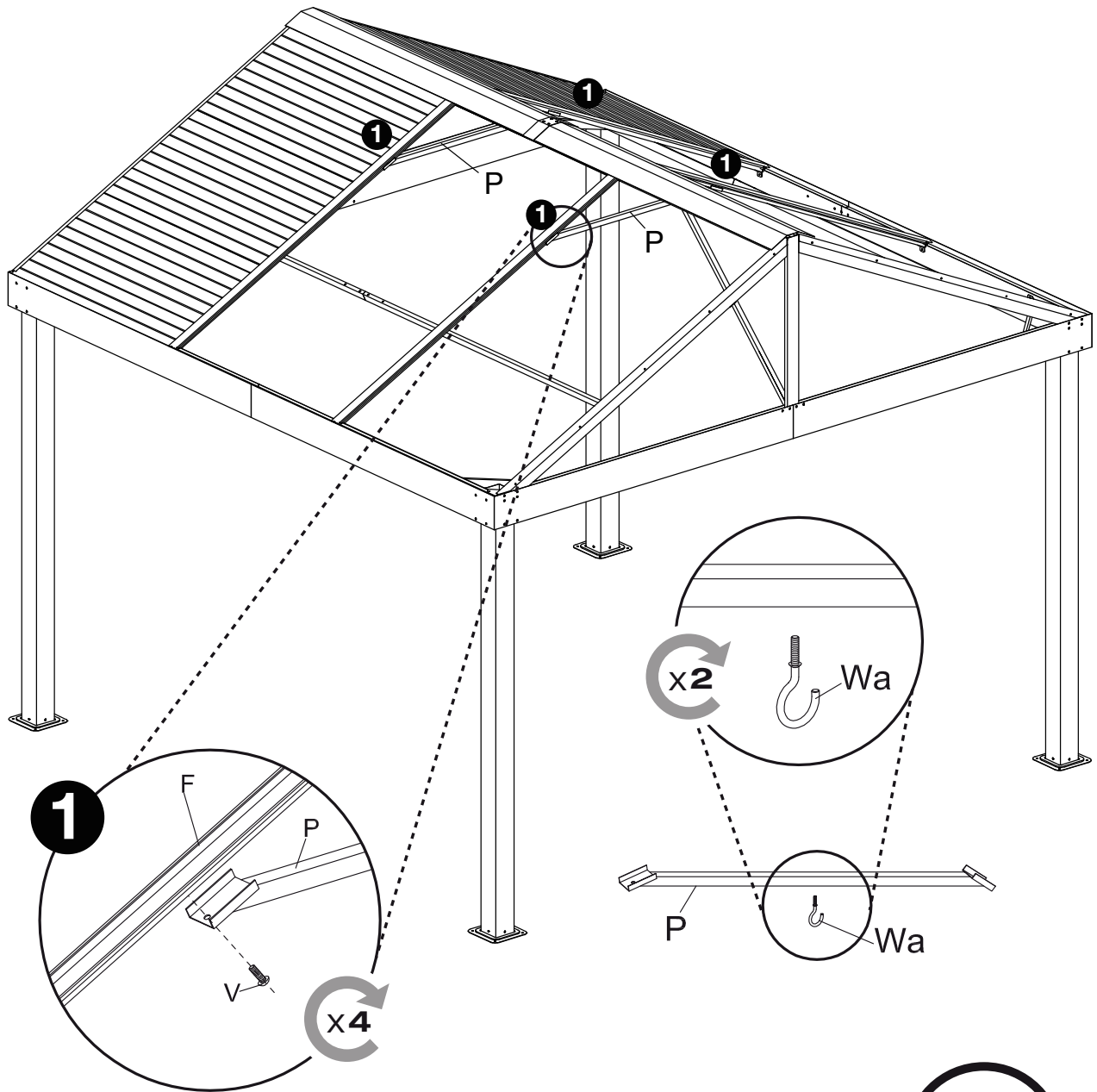






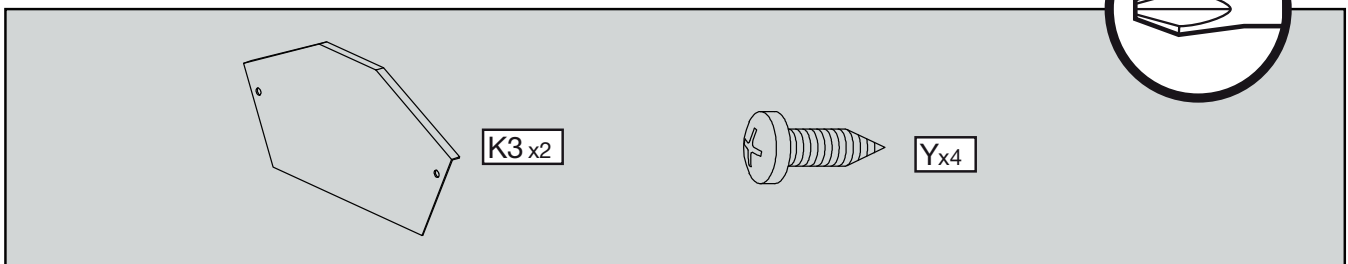
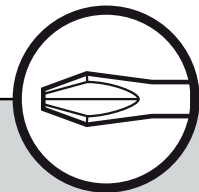
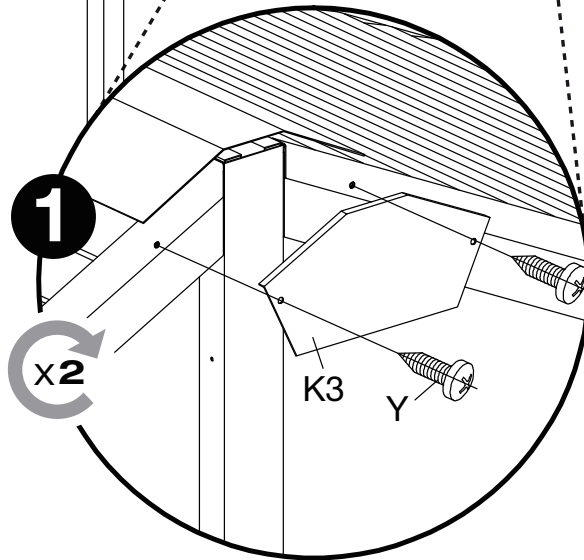
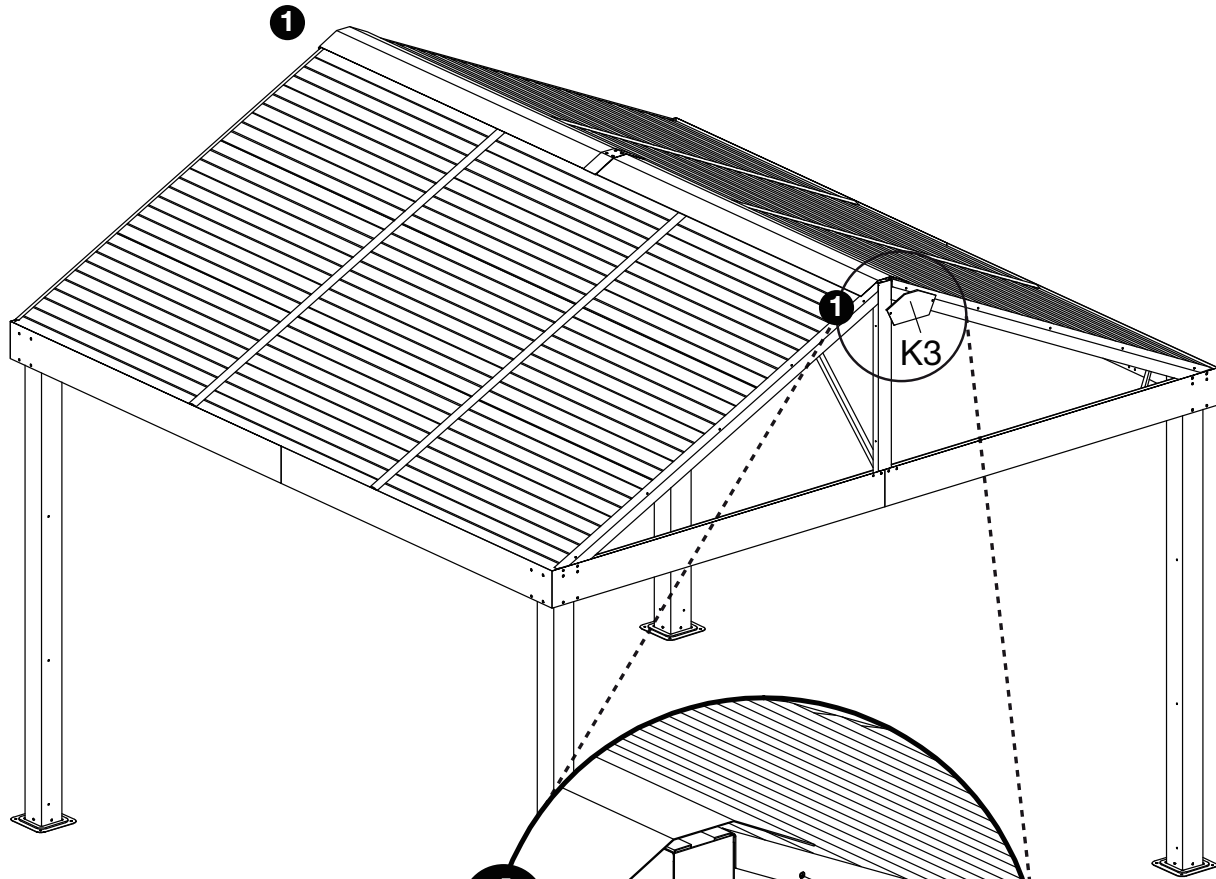
	E2x1		
	F1x1		

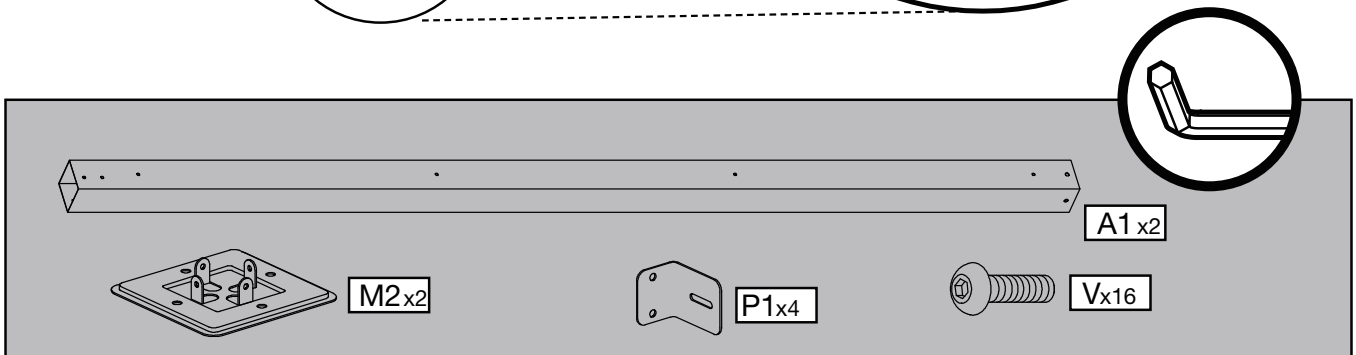
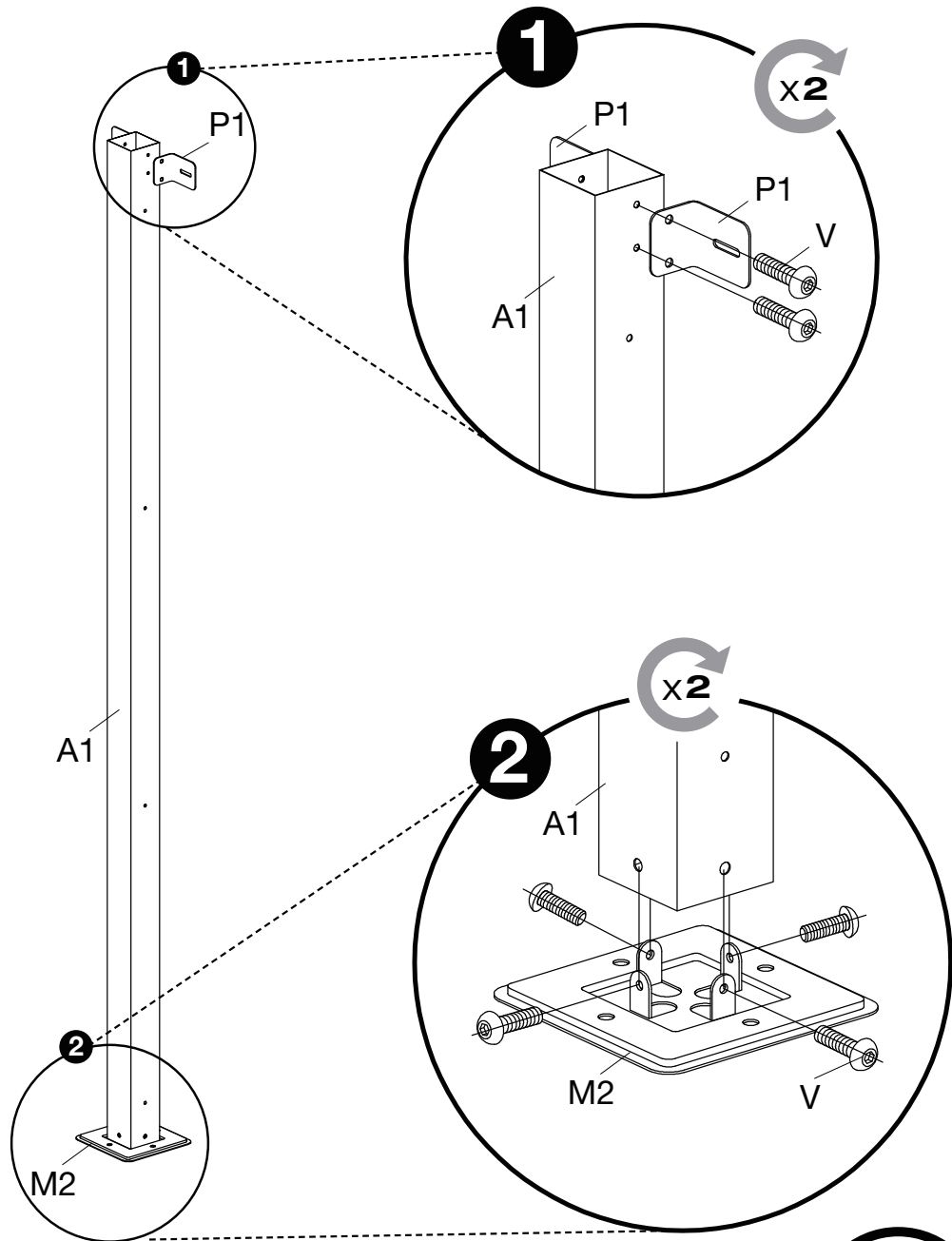


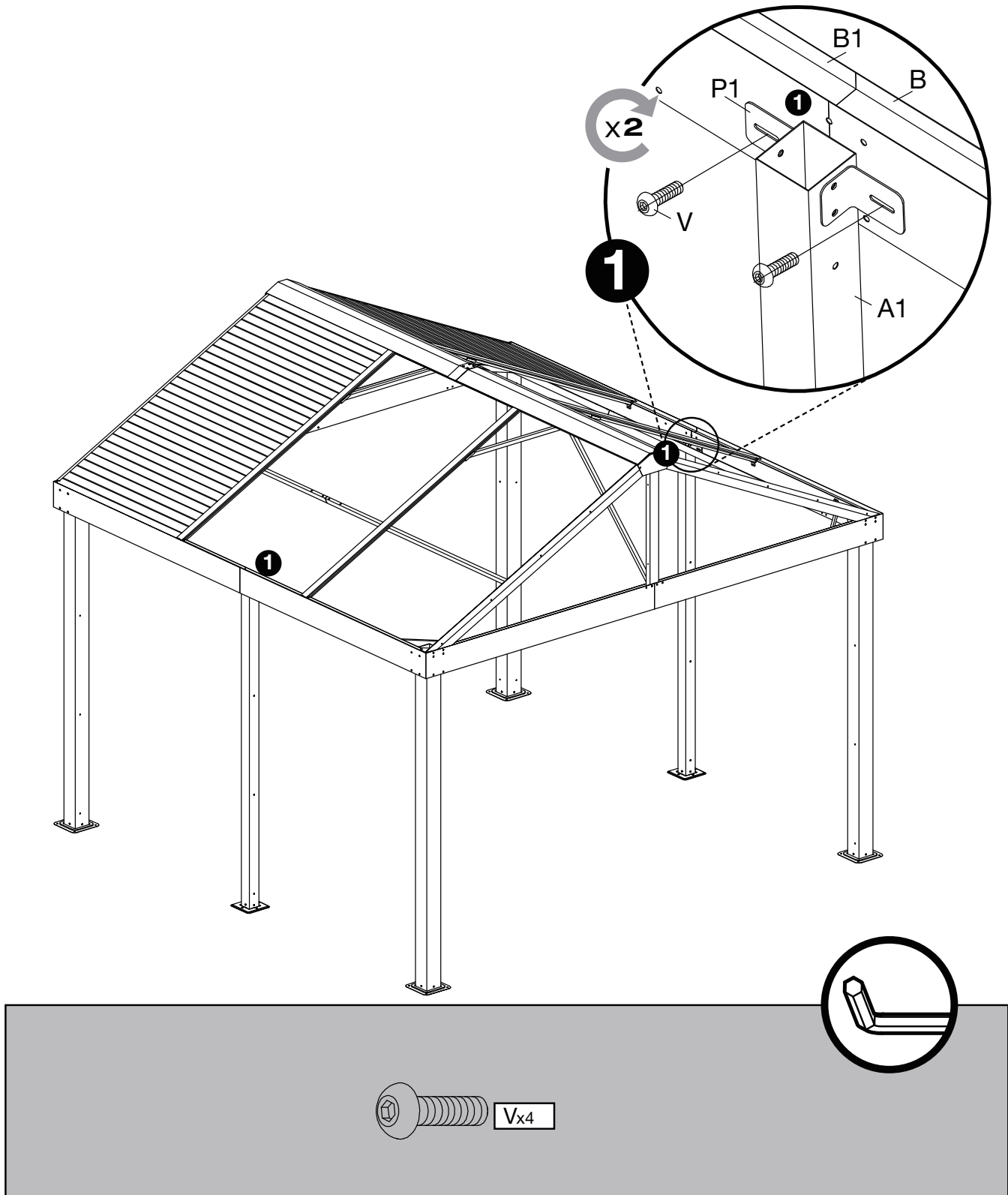


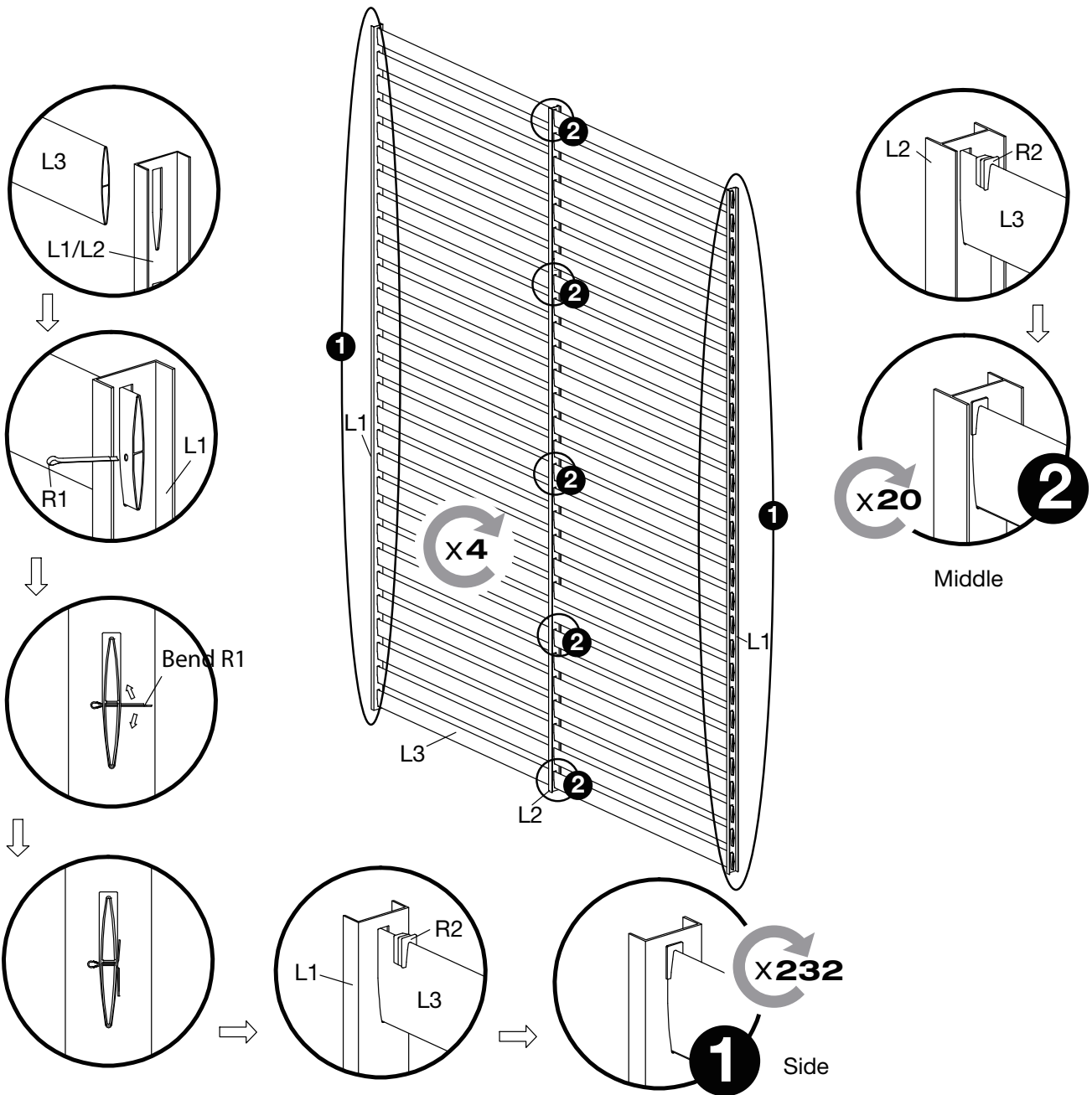
This section contains a parts list for the assembly. It features four items, each with a corresponding icon and a label in a box:

- An icon of a horizontal beam labeled **P x2**.
- An icon of a hook labeled **Wa x2**.
- An icon of a bolt labeled **Vx4**.
- An icon of a corner bracket.

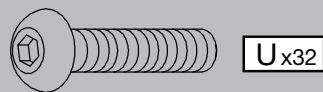
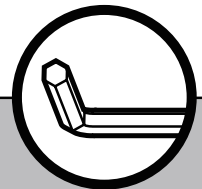
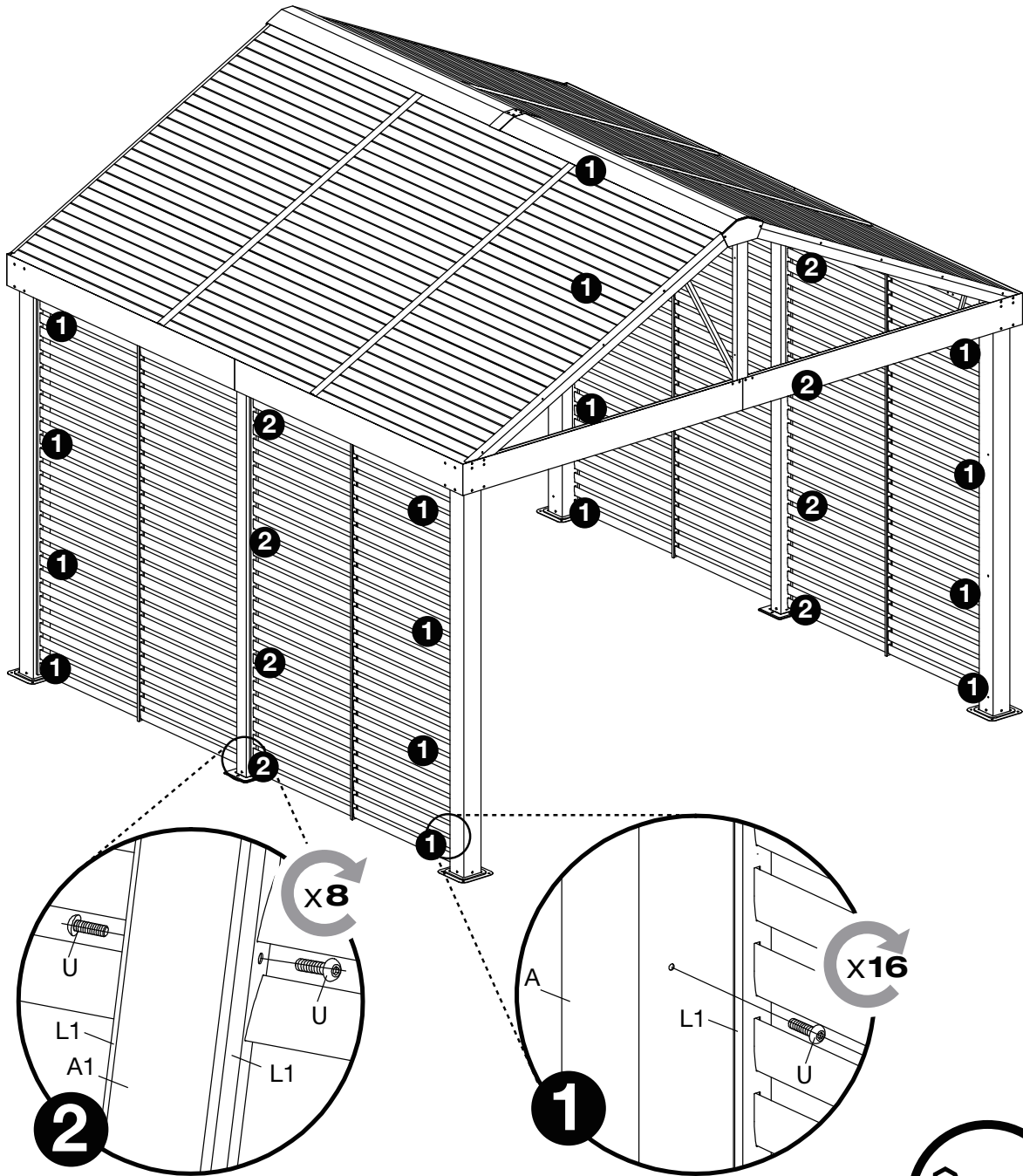


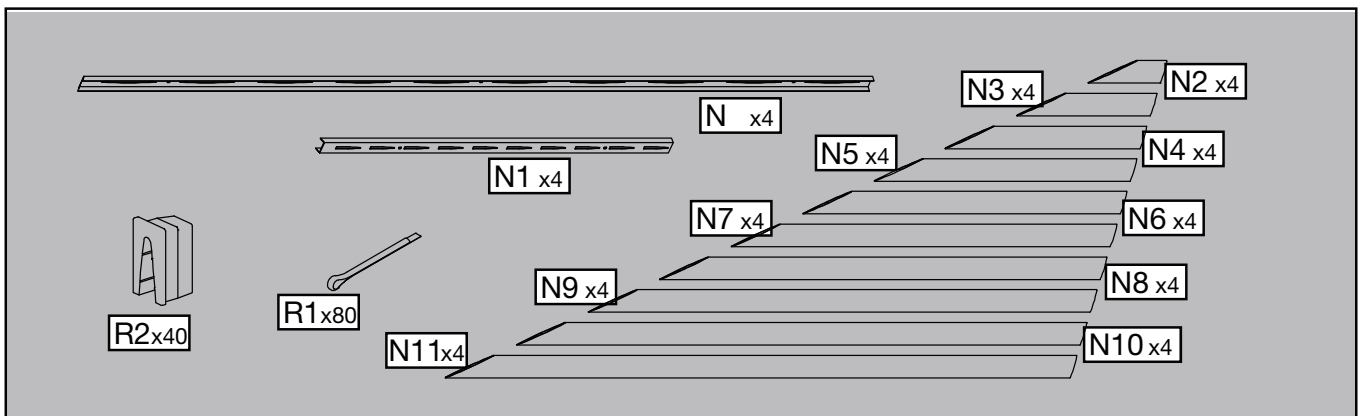
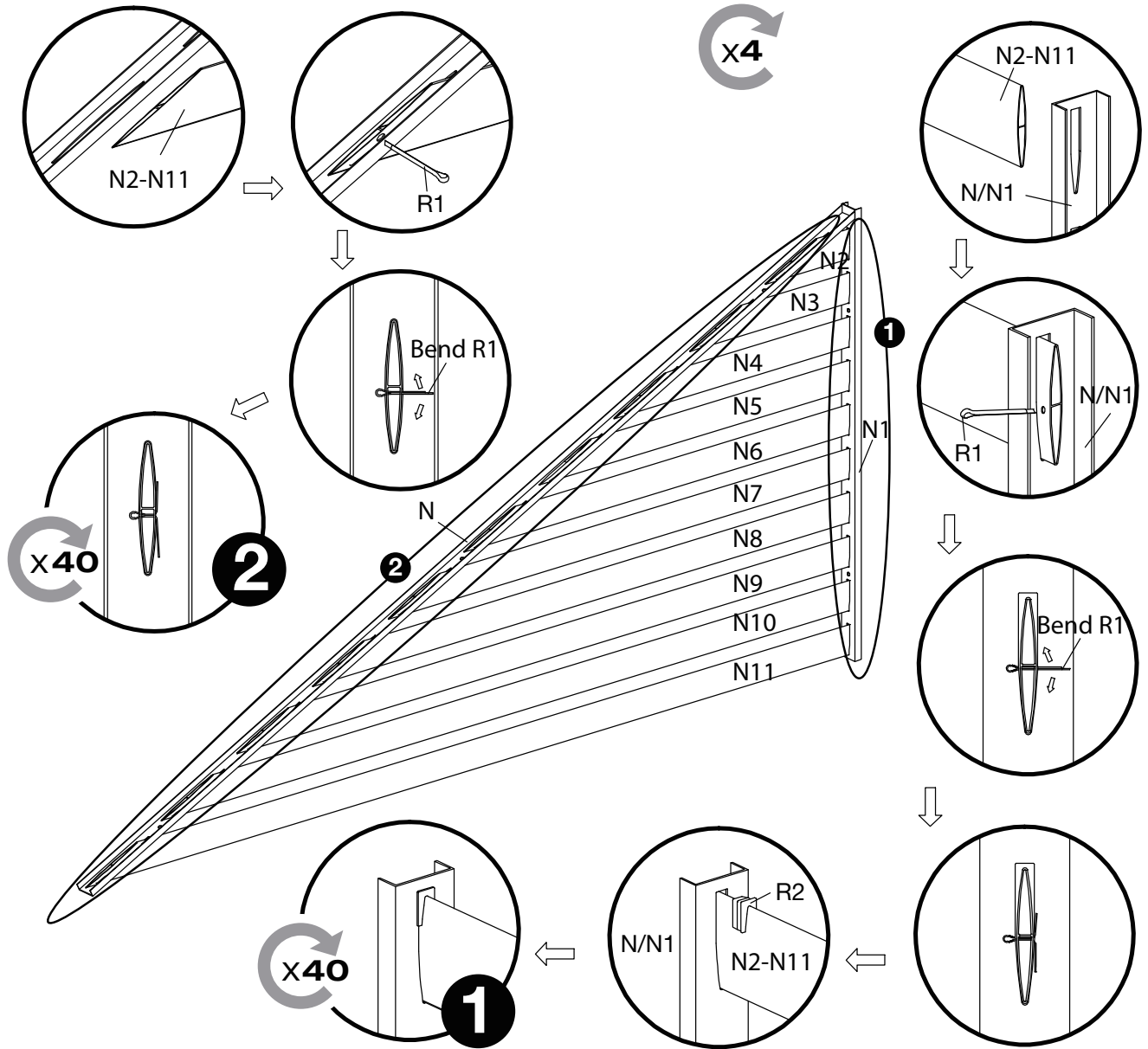


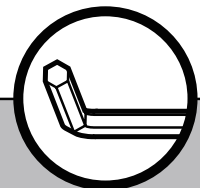
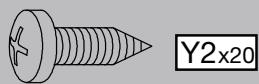
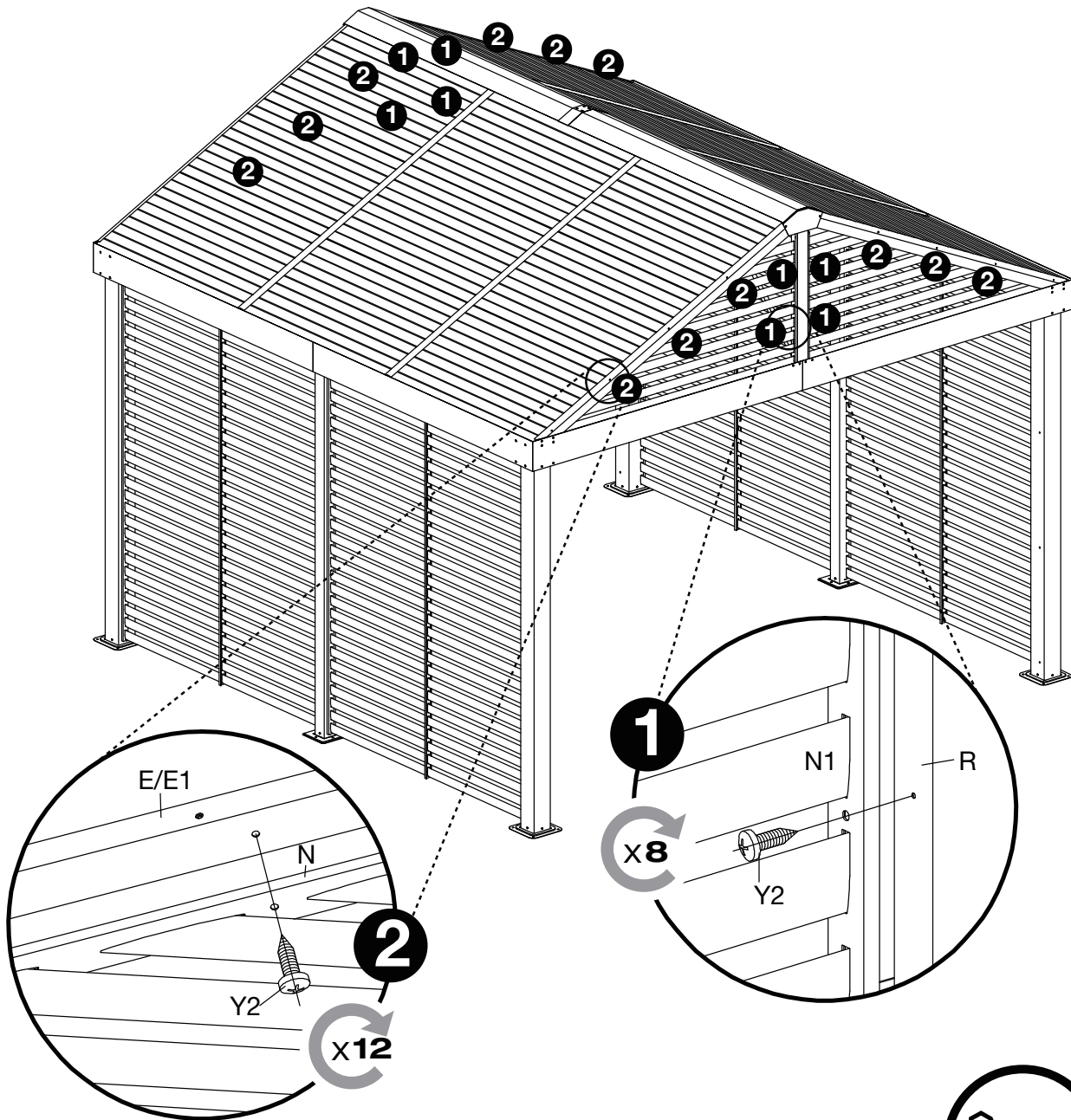




	L1x8		R1x232
	L2x4		R2x252
	L3x116		







Distributed by:
Costco Wholesale Corporation
P.O. Box 34535
Seattle, WA 98124-1535
USA
1-800-774-2678
www.costco.com

Costco Wholesale Canada Ltd.*
415 W. Hunt Club Road
Ottawa, Ontario
K2E 1C5, Canada
1-800-463-3783
www.costco.ca

* faisant affaire au Québec sous
le nom les Entrepôts Costco

Costco Wholesale UK Ltd /
Costco Online UK Ltd
Hartspring Lane
Watford, Herts
WD25 8JS
United Kingdom
01923 213113
www.costco.co.uk

Costco Wholesale Spain S.L.U.
Polígono Empresarial Los Gavilanes
C/ Agustín de Betancourt, 17
28906 Getafe (Madrid) España
NIF: B86509460
900 111 155
www.costco.es

Costco Wholesale Japan Ltd.
3-1-4 Ikegami-Shincho
Kawasaki-ku, Kawasaki-shi,
Kanagawa 210-0832 Japan
0570-032600
www.costco.co.jp

Costco Wholesale Korea, Ltd.
40, Iljik-ro
Gwangmyeong-si
Gyeonggi-do, 14347, Korea
1899-9900
www.costco.co.kr

Importado por:
Importadora Primex S.A. de C.V.
Blvd. Magnocentro No. 4
San Fernando La Herradura
Huixquilucan, Estado de México
C.P. 52765
RFC: IPR-930907-S70
(55)-5246-5500
www.costco.com.mx

Costco Wholesale Australia Pty Ltd
17-21 Parramatta Road
Lidcombe NSW 2141
Australia
www.costco.com.au

Costco Wholesale Iceland ehf.
Kauptún 3-7, 210 Gardabaer
Iceland
www.costco.is

Shanghai Minhang Costco Trading Co., Ltd
No.235 ZhuJian Road
Minhang District, Shanghai
China 201106
+86-21-6257-7065

Costco Wholesale New Zealand Limited
67 Maki Street
Massey, Auckland 0814
New Zealand

Costco France
1 avenue de Bréhat
91140 Villebon-sur-Yvette
France
01 80 45 01 10
www.costco.fr

MADE IN CHINA
FABRIQUÉ EN CHINE
HECHO EN CHINA



SOJAG ■ I
produits saisonniers • seasonal products