



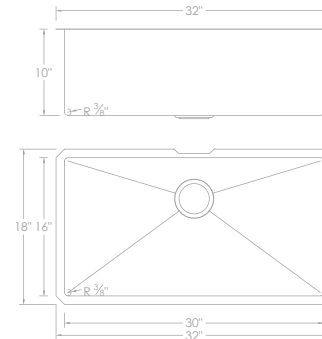
# RUBY S-323XG

STAINLESS STEEL  
HANDMADE SINGLE BOWL KITCHEN SINK

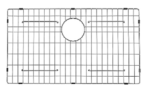


## DIMENSIONS

32" x 18" x 10"



## INCLUDED ACCESSORIES



G-323  
GRID



ST-03  
STRAINER



A-02  
COLANDER



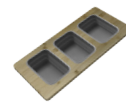
A-900DG  
DRYING RACK



A-904  
CUTTING BOARD



A-907  
LARGE CUTTING BOARD



A-910  
SERVING BOARD



A-913  
CUTTING BOARD



S-01S  
SOAP DISPENSER

## RECOMMENDED ACCESSORIES

### SURFACE FINISH

BRUSHED  
STAINLESS  
STEEL

### DRAIN HOLE SIZE



### CORNER PROFILE



RADIUS 10mm

### INSULATION

COATED +  
RUBBER PADS

### BOWL DEPTH



### INSTALLATION OPTIONS



UNDERMOUNT

## MATERIAL

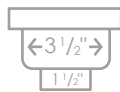
Premium 16 gauge stainless steel with 18/10 chrome-nickel content. The 18% of chrome content provides durability, maximum protection against rust and a beautiful satin finish. The 10% of nickel content provides excellent strength and hardness.



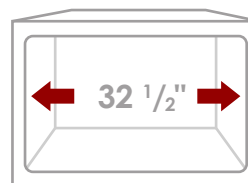
## PRODUCT DIMENSIONS

|                     |                 |
|---------------------|-----------------|
| Overall Dimensions  | 32" x 18" x 10" |
| Internal Dimensions | 30" x 16" x 10" |
| Left Basin          | -               |
| Right Basin         | -               |
| Drain Opening Size  | 3 1/2"          |

## LUXURY BASKET STRAINER



## CABINET SIZE



MINIMUM  
INTERNAL SIZE

## GARBAGE DISPOSAL

Stylish® sinks have on standard 3 1/2" drain opening that can fit any garbage disposal unit. The sink structure is well designed to withstand any heavy garbage disposal unit.



## WARRANTY

This product is covered by a limited lifetime warranty. Consult our website for complete details.

## PRODUCT CARE

Rinse and dry your sink with a clean soft cloth, working with, not a cross, the grain. We recommend the use of a mild solution of water and vinegar to remove any mineral deposits that may have built up on your sink.

Use mild non-abrasive liquid cream cleaners that do not contain chlorine, sodium hypochlorite or hydrochloric acid to help maintain the original appearance of your sink. Ensure that you thoroughly rinse your sink and wipe it dry. We recommend the use of a stainless steel grid that fits inside the bottom of the sink bowl and protect the sink from scratches.



## STANDARDS COMPLIANCE

cUPC certified  
ISO 9001 certified

Stylish International Inc.

[www.stylishkb.com](http://www.stylishkb.com)

[stylish.international.inc](https://www.instagram.com/stylish.international.inc)

[care@stylishkb.com](mailto:care@stylishkb.com)

+1-855-789-5352