

PRONTO PLUS 300CS

PORTABLE STEAM CLEANING SYSTEM WITH MOP

SYSTÈME DE NETTOYAGE À VAPEUR PORTABLE AVEC MOP

SISTEMA PORTÁTIL DE LIMPIEZA A VAPOR CON FREGONA

INSTRUCTION MANUAL

GUIDE D'UTILISATION

MANUAL DE INSTRUCCIONES

ENGLISH	04
FRANÇAIS	15
ESPAÑOL	27

PRONTO PLUS 300CS
HAND-HELD STEAM CLEANER
INSTRUCTION MANUAL
ENGLISH

RELIABLE. RIGHT THERE WITH YOU.

At Reliable, we do what we love, and take pride in doing it right. You want what's best for the people, places and things that matter in your life - from where you live to what you wear. So do we. From the start, we approach every product with a craftsman's attention to detail and passion for making it right. Quality, functionality, design and customer service play an equally important part in delivering what's right for you. The Reliable 300CS portable steam cleaner and mop loosens and removes tough dirt on surfaces and floors. Just add water to harness the power of steam. Plug it in, turn it on, and in seconds the 300CS will change the way you clean.

For your safety and to fully enjoy the advantages of this product, please take a few minutes to read all the important safeguards and care instructions. Keep this manual handy and review the product warranty for your reference.

IMPORTANT SAFETY REQUIREMENTS

When using an electric appliance, basic precautions should always be followed, including the following:

READ ALL INSTRUCTIONS BEFORE USING THIS STEAMER

WARNING: Danger of scalding

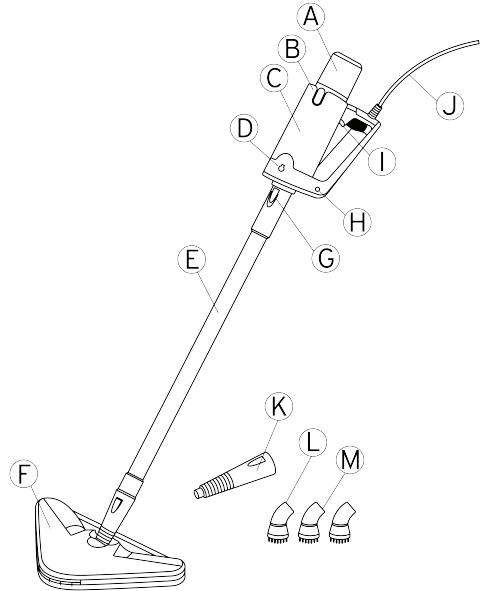
TO REDUCE THE RISK OF FIRE, ELECTRIC SHOCK, OR INJURY:

- This product is designed for domestic use only.
- Do not use outdoors.
- Do not leave the Pronto 300CS unattended while turned on. Unplug the electrical cord when not in use and before servicing.
- Do not allow to be used as a toy. Close attention is necessary when used near children, pets or plants.
- The Pronto 300CS is not intended for use by young children or infirm persons without supervision.
- Young children should be supervised to ensure that they do not play with the Pronto 300CS.
- Never direct steam towards people, animals or plants, or equipment containing electrical components.
- Do not immerse the Pronto 300CS into water or other liquids.
- Do not use with damaged cord or plug. If the Pronto 300CS is not working as it should, has been dropped, damaged, left outdoors, or immersed into water, contact the distributor before continuing use. If the power supply cord is damaged, it must be replaced by the manufacturer.
- Do not pull or carry by cord, use cord as a handle, close a door on the cord, or pull cord around sharp edges or corners. Keep cord away from heated surfaces.
- Do not use extension cords or outlets with inadequate current carrying capacity.
- Unplug after use. Do not unplug by pulling on cord. To unplug, grasp the plug, not the cord.
- Do not handle plug or any part of the Pronto 300CS with wet hands or operate without shoes.
- Do not insert any objects into openings. Do not use with any opening blocked.
- Do not use without microfiber pad in place.
- Do not use on stairs.
- Store your Pronto 300CS indoors in a cool, dry area.
- Keep your work area well lighted.
- Never put cleaning detergents into the Pronto 300CS. This will make the operation unsafe and damage the unit.
- Use only as described in this manual. Use only manufacturer's recommended accessories.

SAVE THESE INSTRUCTIONS IN A SAFE PLACE FOR FUTURE REFERENCE

PARTS

- A. Water Tank (250ml)
- B. Water Tank Release Button
- C. Main Body
- D. Power Indicator Light (Blue)
- E. Extension Rod
- F. Mop Head
- G. Attachment Release Button
- H. Steam Adjustment
- I. Steam Release Button
- J. Power Cord
- K. Steam Nozzle
- L. Brass Brush
- M. 2x Nylon Brush



THE FOLLOWING INFORMATION IS PROVIDED FOR SERVICE BY A QUALIFIED ELECTRICIAN ONLY:

Rated voltage: 100V, 60HZ, 1200W

This appliance must be grounded. Use only the proper type outlet when plugging in the appliance, do not attempt to override the ground wire feature.

ASSEMBLY

Remove all components from the packaging.

1. Insert the steam nozzle into the cleaner main body until it locks into position.
2. Select desired accessory brush when needed and click into nozzle.

USE

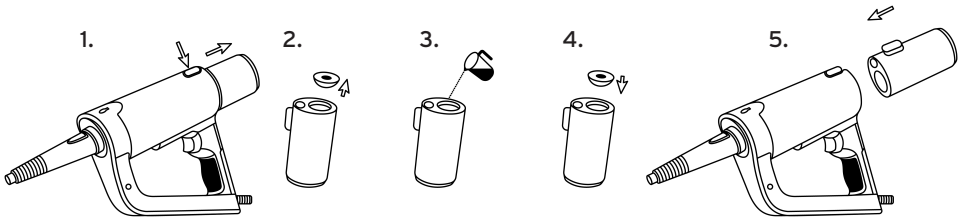
BEFORE YOU BEGIN CLEANING

1. Remove the clean water tank up and out from the steam cleaner's main body.
2. Press the water tank release button, then pull the tank backwards (Figure 1).

3. Push the tank cover up and remove the tank lid (Figure 2).
4. Fill the tank (Figure 3). Note: Do not exceed the max 250ml capacity.
5. Return the water tank cover to the water tank (Figure 4).
6. Return the water tank and click it into the original position (Figure 5).

IMPORTANT: Always unplug the cleaner when adding water or changing a textile pad.

NOTE: Wash the textile pad prior to use to remove any lint.



ACCESSORY INSTALLATION

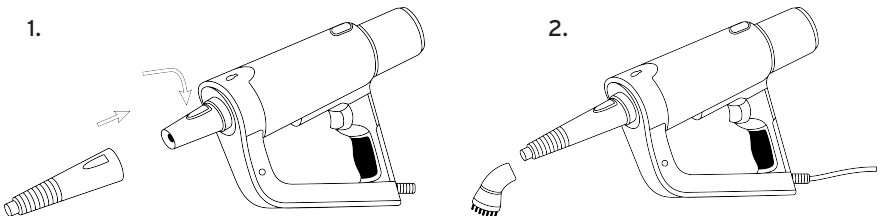
BEFORE YOU BEGIN CLEANING

1. Jet Nozzle Installation:

- Align the nozzle with the air outlet head at the front of the main unit, then rotate it until the nozzle is firmly attached in place (figure 1).

2. Accessory Brush Installation:

- Attach the brush accessory on the nozzle. Note that the direction of the elbow of the small brush is as shown in the figure, facing downward (figure 2).

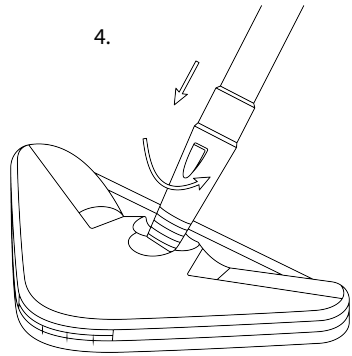
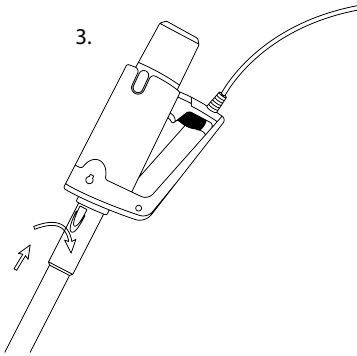


3. Extension Rod Installation:

- When it is necessary to clean high, hard to reach places or mopping the floor, install the extension rod.
- Align the extension rod with the head of the machine, push it into place and gently rotate the extension rod firmly on the unit until it clicks into place (figure 3).

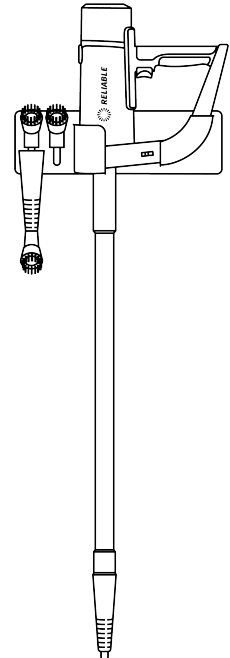
4. Mop Head Installation:

- In the same way, the mop head can be connected with the extension rod, and the extension rod can be connected with the nozzle. Gently twist and click into place (figure 4).



3. Wall Bracket Installation:

- Align the wall bracket where you would like it placed on your wall using a level. Mark placement using a pencil.
- Using a Phillips head screwdriver, screw the wall mount directly into drywall. If you have inserted an anchor, insert the screw through the wall mount and into the plastic anchors.
- Turn clockwise until there is a firm resistance.



NOTE: If you are screwing your bracket into a wall with studs, drill a hole in the drywall that is roughly the same diameter as the anchor. Insert the anchor into the hole until it is flush with the wall.

STEAM CLEANING

NOTE: When replacing any accessories, make sure the machine is powered off and no steam is ejected. The machine needs to cool for 15 minutes to prevent risk of burn.

IMPORTANT: Do not use the mop attachment without a microfiber pad attached to the floor head.

NOTE: Do not use the carpet glide when cleaning hard floors.

1. After confirming that the power supply is correct, plug in the power supply, the power indicator light is on, and the machine will begin to heat up.
2. After about 25 seconds, the machine is ready for use. Press the steam switch and the steam will be ejected immediately.
3. According to different cleaning requirements, you can adjust the steam with the "+" and "-" buttons on the control panel until you reach the desired steam amount.

NOTE: Do not aim steam at people, pets, plants or any other electrical appliances during use to avoid burns or damage to the machine.

4. Please pay attention to the amount of water in the tank when you use it. When there is no water in the tank or the water is too low to allow the pump to absorb water, please refer to the page on how to fill the machine.

NOTE: Do not operate the machine at any time without water in the tank.

STEAM CLEANING HARD FLOORS

NOTE: Always sweep or vacuum the floor prior to use to remove any loose dirt or debris.

IMPORTANT: Do not use the cleaner without a microfiber pad attached to the floor head.

NOTE: Do not use the carpet glide when cleaning hard floors.

1. Plug the steam cleaner into the main power. The blue ON light will illuminate.
2. After a few seconds the Pronto 300CS cleaner is ready for use.
3. Recline the cleaner by placing a foot on the floor head and lowering the main body towards the floor.
4. To produce steam press the Steam Trigger Button. - **It's best to use the steam intermittently so that the pad does not become over-saturated with water.**
5. Move the cleaner slowly backwards and forwards paying particular attention to high traffic areas.

REFRESHING CARPETS

NOTE: Always sweep or vacuum the floor prior to use to remove any loose dirt or debris.

IMPORTANT: Do not use the cleaner without a microfiber pad attached to the floor head.

1. Attach the carpet glide to the floor head.
2. Plug the steam cleaner into the main power. The blue ON light will illuminate
3. After a few seconds the Pronto 300CS cleaner is ready for use.
4. Recline the cleaner by placing a foot on the floor head and lowering the main body towards the floor.
5. To produce steam press the steam release button. - **It's best to use the steam intermittently so that the pad does not become over-saturated with water.**
6. Move the cleaner slowly backwards and forwards paying particular attention to high traffic areas.

MAINTENANCE

IMPORTANT: *always ensure the cleaner has fully cooled down before performing any maintenance tasks.*

EMPTY THE WATER TANK

1. Unplug the cleaner from the main power and ensure the unit has cooled.
2. Remove the clean water tank for the main body of the cleaner.
3. Press the release button and remove.
4. Empty any excess water from the tank. Replace the cap and return to the cleaner.

REMOVING AND CLEANING THE MICRO FIBER PAD

1. Unplug the cleaner from the main power and ensure the unit has cooled.
2. If necessary remove the carpet glider, then peel the textile pad from the floor base.
3. Wash the textile pad in a washing machine with a mild detergent at max temperature 40°C.

IMPORTANT: *Do not use bleach or fabric softener when washing the textile pad.*

CLEANING FAQs

When is steam ready?

In approximately 25 seconds.

Can I use steam on all floor surfaces?

On all hard floors like marble, ceramic, stone, linoleum, sealed hardwood floors and parquet. Always test on a small patch to be certain.

Does steam emit automatically?

No, to produce steam you should press the steam release button under the handle.

Can I use it vertically?

Yes, the Pronto Plus 300CS can be used vertically for surfaces and hard to reach areas.

Can I put detergents or other chemicals inside the tank?

No, it will damage the product.

What if where I live the water is very hard?

You can use distilled water.

Is the microfiber pad washable?

Yes, it can be washed by hand or in the washing machine with a mild detergent at max temperature 40°C. Do not use bleach or fabric softener.



Reliable Corporation (“Reliable”) warrants to original purchaser of its products that every product sold by Reliable (a “Reliable Product”) is free from defects in material and workmanship for a period of one year from the date of purchase if properly used and maintained. Subject to the conditions and limitations set forth below, Reliable will either repair or replace any part of a Reliable Product that proves defective by reason of improper workmanship or materials. If the defective Reliable Product is no longer available and cannot be repaired effectively or replaced with an identical model, Reliable shall replace the defective Reliable Product with a current Reliable Product of equal or greater value. Repaired parts or replacement products will be provided by Reliable on an exchange basis, and will be either new or refurbished to be functionally equivalent to new. If Reliable is unable to repair or replace a Reliable Product, it will refund the current value of that Reliable Product at the time the warranty claim is made.

This limited warranty does not cover any damage to a Reliable Product that results from improper installation, accident, abuse, misuse, natural disaster, insufficient or excessive electrical supply, abnormal mechanical or environmental conditions, wear and tear resulting from normal use of the product, or any unauthorized disassembly, repair, or modification. This limited warranty does not extend to any indirect, consequential or incidental damages that may be suffered by a user or from the use of a Reliable Product, including without limitation, any liability for third party claims for damage, and is limited to the amount paid by the original purchaser Reliable Product with respect to which this limited warranty protection applies. This limited warranty does not apply with respect to products that have been altered or which are missing serial numbers or for products not purchased directly from Reliable or a dealer authorized by us to sell Reliable Products.

This limited warranty is the only warranty that applies to any Reliable Product, supersedes any and all terms that may be contained in any other document or purchase order and may not be altered or amended except expressly in writing by Reliable.

To obtain a repair or replacement under the terms of this warranty, please contact our customer service group at 1-800-268-1649 or at support@reliablecorporation.com. You will be required to submit an original receipt via fax or e-mail. The receipt must reflect that you are the original purchaser, the product was bought directly from us or from an authorized Reliable dealer and that the warranty claim is being made within the warranty period. You will be issued a return authorization number (RA#) and asked to ship the defective product together with proof of purchase and RA#, prepaid insured to the following address:

Reliable Corporation, 5-100 Wingold Avenue, Toronto, ON M6B 4K7. Freight collect shipments will be refused. The risk of loss or damage in transit will be borne by the customer. Once Reliable receives the defective product, it will initiate the repair or replacement process.

If you have any questions regarding this warranty, you may write to:

Reliable Corporation
100 Wingold Avenue, Unit 5
Toronto, Ontario
Canada M6B 4K7
www.reliablecorporation.com

DID YOU KNOW?

**Reliable's steam reaches
245°F and can kill up to
99.9% of bacteria and all
stages of bed bugs.**



RELIABLE

1 800 268 1649

www.reliablecorporation.com