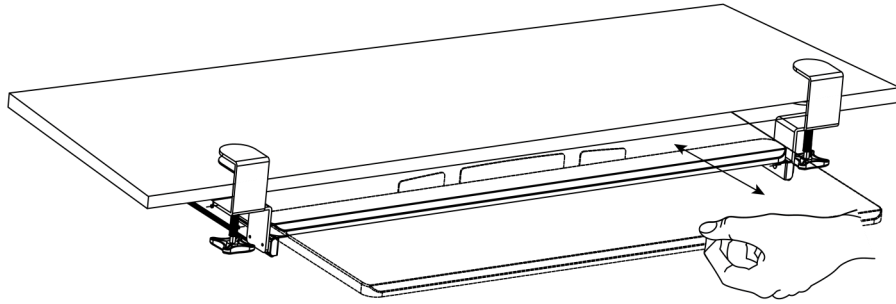


Use Instructions

Simply slide the keyboard tray in and out as desired. Route keyboard and mouse wires through the guides on the rear of the tray.



airLIFT®
by seville classics®

airLIFT® 360 Clamp-On Adjustable Sliding Keyboard Tray

FAQS

Q. How much space do I need to install the tray?

A. Your desktop must be at least 32" wide and 12" deep to install.

Q. How big is the actual tray?

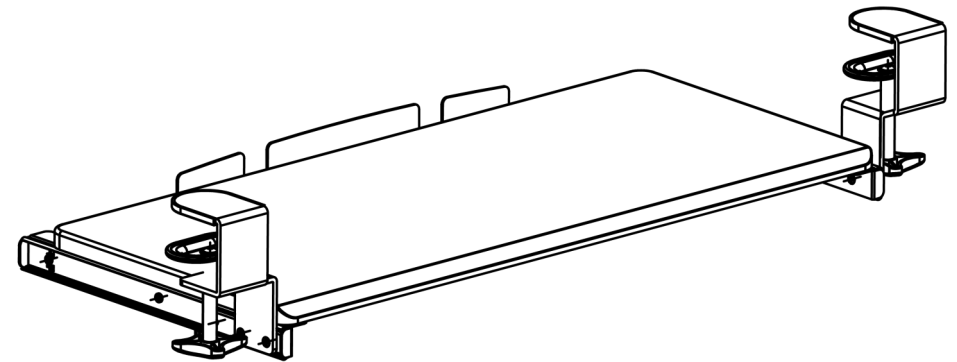
A. The keyboard tray is 31.5" wide and 11" deep and .6" thick.

Q. How much weight can it hold?

A. Tray can support up to 11 lbs. evenly distributed across the top.

Q. Does it work with AIRLIFT® standing desks?

A. Yes! This tray is designed for compatibility with AIRLIFT® S3/S2 Electric Height Adjustable Standing Desks.



Customer Service Information

Telephone: (800) 323-5565

Fax: (310) 533-3899

Hours: 8:30 AM – 4:30 PM (PST)

Email: Support@SevilleClassics.com

Homepage: www.SevilleClassics.com

Model: OFF65920

Please contact Seville Classics for help with assembly and to report any damaged or missing components.

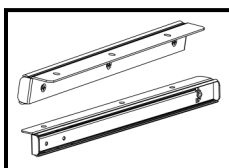
Phone: 1 (800) 323-5565

Email: Support@SevilleClassics.com

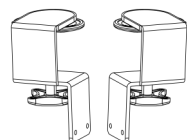
Homepage: www.SevilleClassics.com

Parts List

A. Brackets (2)



B. Clamps (2)



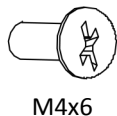
C. Tray (1)



D. Pad (2)



E. Bracket screws (6)
(2 pcs extra)



M4x6

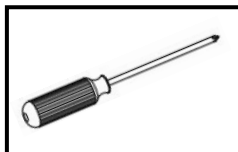
F. Tray screws (8)
(2 pcs extra)



M5x12

Required Tools (not included)

Screwdriver

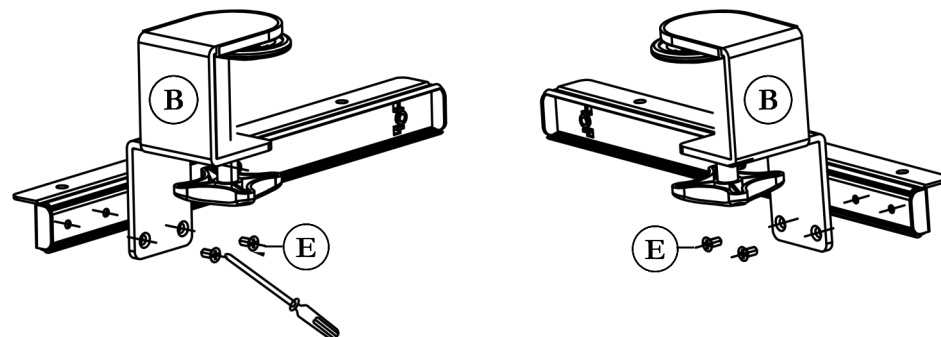


Please make sure you have all the parts on this list.

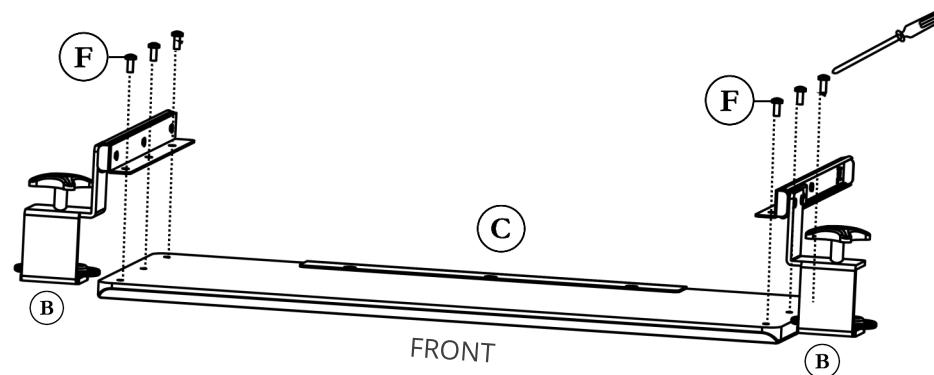
If you're missing parts, contact us for replacements at (800) 323-5565 or send an email to Support@SevilleClassics.com

Assembly Instructions

STEP 1. Attach **CLAMPS (B)** to **BRACKETS (A)** with **BRACKET SCREWS (E)**.



STEP 2. Attach brackets to bottom of **TRAY (C)** with **TRAY SCREWS (F)**.
Make sure **CLAMPS (B)** are installed towards the front of the tray.



STEP 3. Open **CLAMPS (B)** fully and stick **PADS (D)** inside the top.
Fit clamps over desktop and twist counterclockwise until snug.

