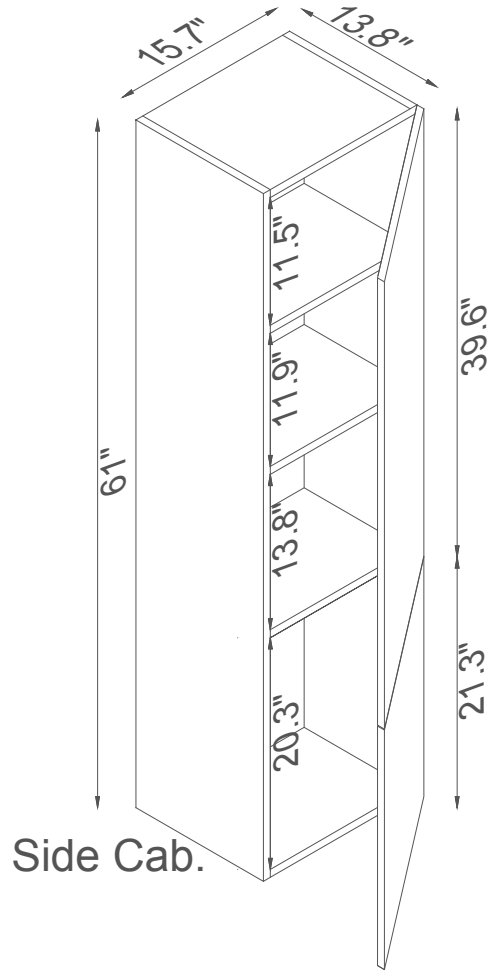
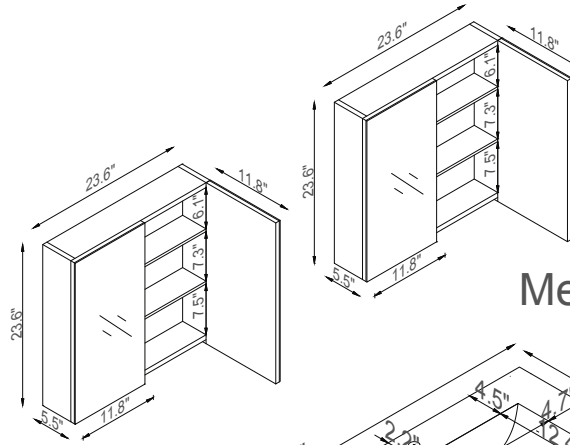




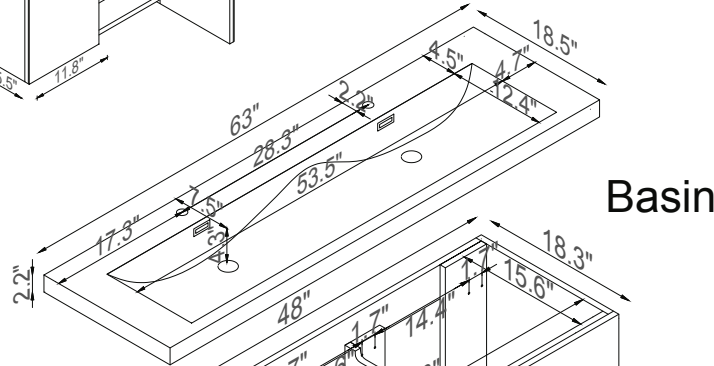
Streamline



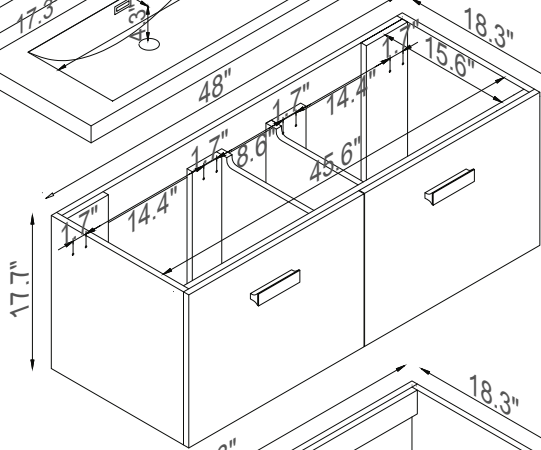
Side Cab.



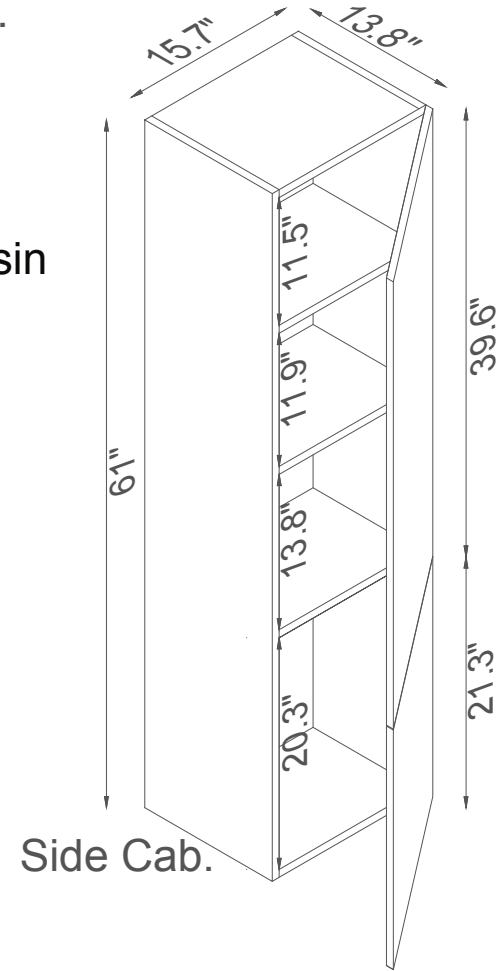
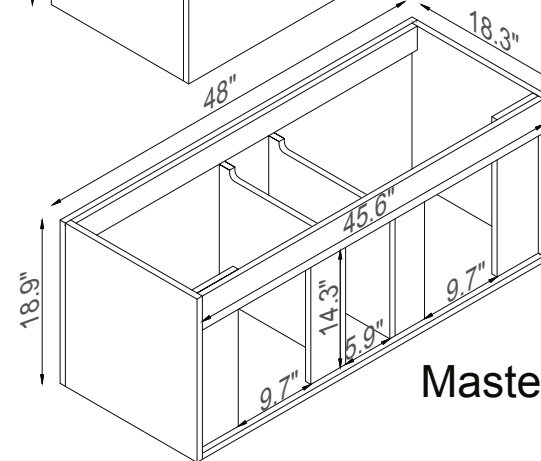
Med. Cab.



Basin



Master Cabinet



Side Cab.

K1801-098-63-55MR2S