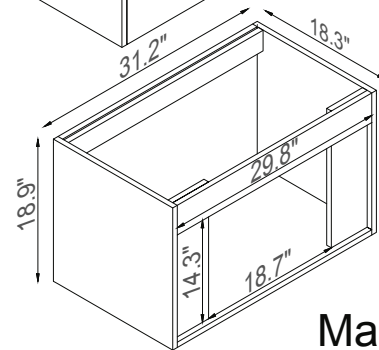
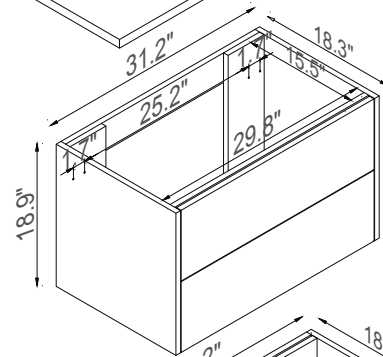
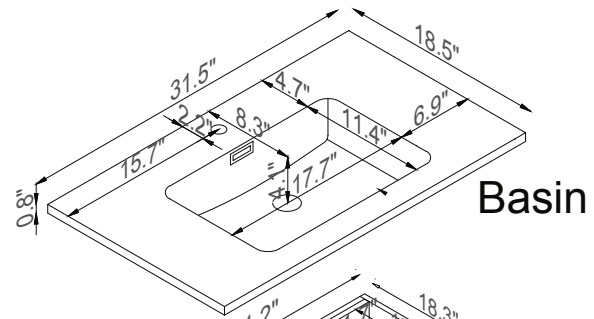




Streamline



K1500-161-32-55