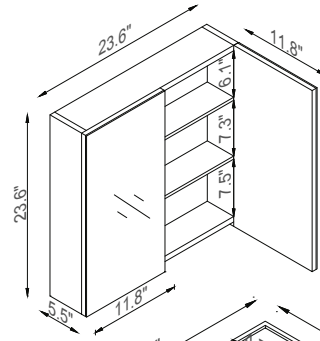
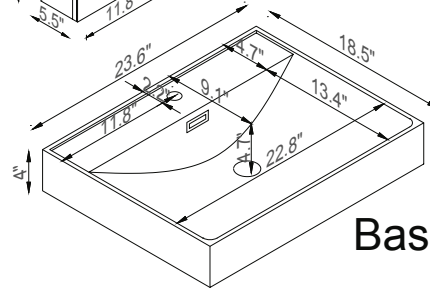




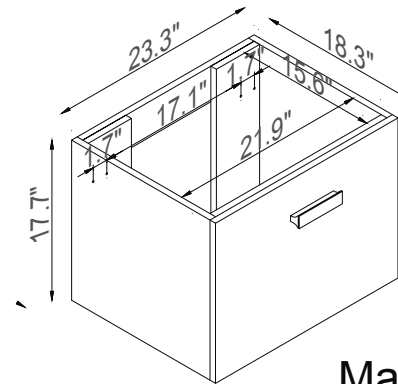
Streamline



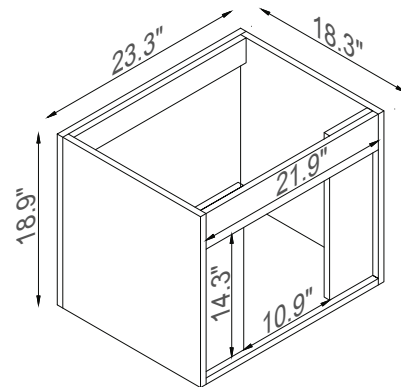
Med. Cab.



Basin



Master Cabinet



K1801-170-24-55MR