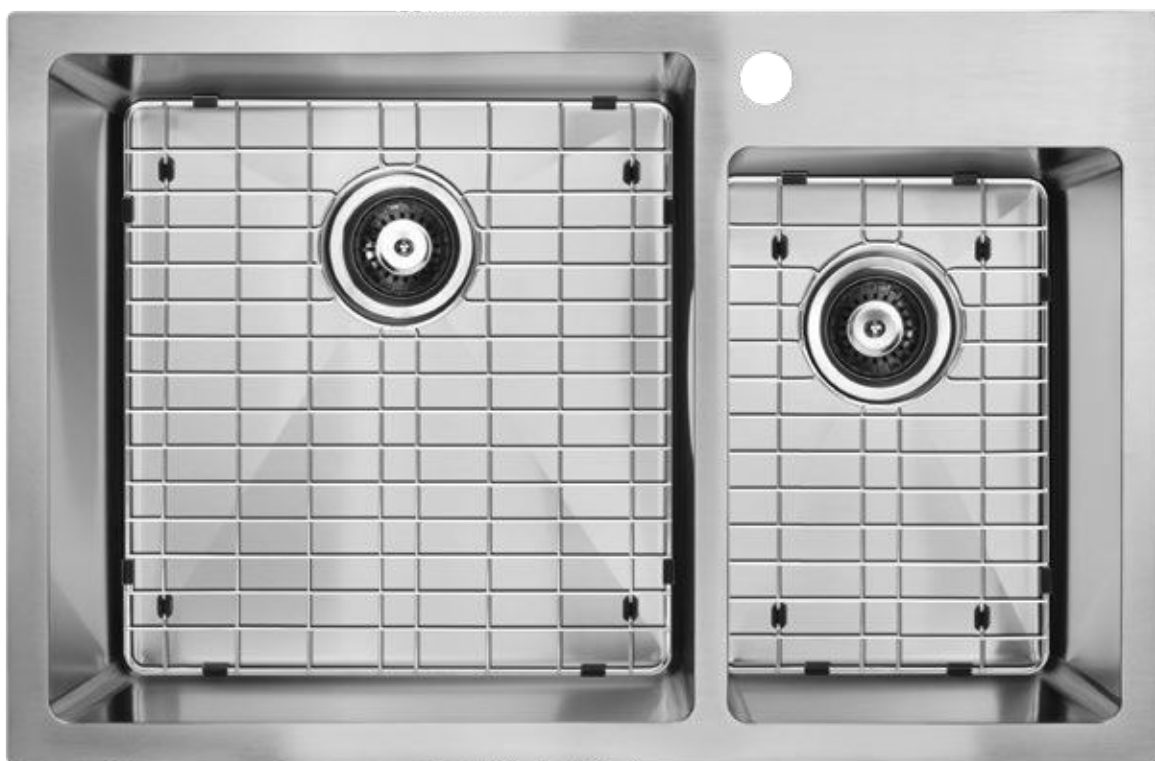


OFFSET DOUBLE BOWL DUALMOUNT SINK WITH MICRORADIUS CORNERS

ÉVIER À CUVE DOUBLE, À COINS ARRONDIS ET À DIVISION DÉCENTRÉE OFFRANT DEUX OPTIONS D'INSTALLATION

FREGADERO DE DOBLE MONTAJE CON TAZÓN DOBLE DE DIVISIÓN DESCENTRADA Y ESQUINAS DE MICRORADIO



OWNER'S MANUAL
MANUEL DE L'UTILISATEUR
MANUAL DEL USUARIO

QK33R

REV. 20210119

Table of Contents

Safety Information	2	Installation	
Warranty		Undermount.	6
One-Year Limited Warranty	3	Topmount.	9
Warranty Claim Procedure	3	Installing the Strainer	11
Pre-Installation		Installing the Bottom Grids	12
Planning Installation	4	Care and Cleaning	12
Tools/Materials Required	4	Service Parts	13
Parts Required	4		
Package Contents	5	MANUEL DE L'UTILISATEUR	14
		MANUAL DEL USARIO	26

Safety Information

READ AND SAVE THESE INSTRUCTIONS

1. Unpack and inspect this product for chips, scratches, cracks, dents, and scuff marks. Do not install this product if any damages or defects are identified.
2. Use this unit only in the manner intended by the manufacturer. If you have any questions, contact the manufacturer.
3. Installation work and plumbing must be done by qualified person(s) in accordance with all applicable codes and standards.
4. Protect the entire surface during installation.



CAUTION: Always wear safety goggles and gloves during installation to prevent personal injury.

ONE-YEAR LIMITED WARRANTY

A thorough inspection must be made before installation and any damage must be promptly reported. We will not be liable for failures or damage that could have been discovered or avoided by proper inspection and testing prior to installation.

Conglom Kitchen & Bath warrants this product to be free from defects in materials or workmanship for one (1) year from the date of purchase. Proof of purchase (original sales receipt) from the original consumer purchaser must be made available to Conglom Kitchen & Bath for all warranty claims.

This warranty is non-transferable and shall be voided if the unit is removed from its initial installation or if it is not installed following the manufacturer's instructions. It does not apply in the event of product damage due to the use of other than genuine Conglom Kitchen & Bath replacement parts, (Replacement parts may be obtained by e-mail at cs@conglomkb.com or by calling 1-877-333-0098 between 8:30 am - 5:00 pm EST) installation error, abuse, misuse or improper care and maintenance (whether performed by a plumber, contractor, service provider or member of the purchaser's household). The warranty excludes damage due to aggressive air or water conditions, harsh or abrasive cleaners and/or materials.

Under no circumstance shall we be held liable for personal injury or property damage resulting from improper installation or use of this product. We will not be held liable for inconvenience caused by loss of use of this product, costs incurred for labour or materials, removal and installation of replacement units, or any other incidental or consequential damages. Costs relating to obtaining access for repair or replacement are the responsibility of the user.

Our obligation shall be limited to the repair or replacement of a unit (at our discretion) that may prove, by our sole examination, to be defective under normal use and service during the warranty period.

Any failure of this product that is not traceable to a defect in material or workmanship is not covered by this warranty. These non-warrantable items include, but are not limited to:

- Improper installation not in accordance with manufacturer's instructions.
- Dents and/or scratches incurred during shipping, handling, or installation.
- Change in colour or finish due to chemical usage.
- Damage caused by failure to follow care and cleaning guidelines, including damage caused by the use of abrasive cleaners.
- Alterations made to the unit by the purchaser or installer.
- Damage caused by accidental impact, fire, flood, freezing, and normal wear.
- Bends and warping caused by forced connections, over-tightened fittings, and inadequate support during installation.
- Damage caused by use of chlorine-based cleaners.

This warranty does not extend to commercial and institutional installation or use.

WARRANTY CLAIM PROCEDURE

If a claimable defect occurs or replacement parts are needed, please contact our customer service team at cs@conglomkb.com or 1-877-333-0098 (service available in English and French, Monday - Friday from 8:30 am - 5 pm EST).

Before you make your call, please ensure that you have:

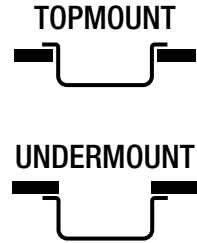
- Model number or description.
- Proof of sale.
- Details regarding the defect and/or part number.
- Name(s) and address(es) of the owner and/or installer.

Pre-Installation

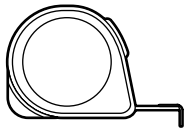
PLANNING INSTALLATION

You may choose to install this sink either below the counter (undermount) or above the counter (topmount). You must install this sink in a counter at least 36 in. (914 mm) wide with a solid surface that has a minimum thickness of 3/4 in. (19 mm).

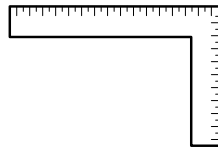
Protect the entire surface of the product during installation to prevent damage.



TOOLS/MATERIALS REQUIRED



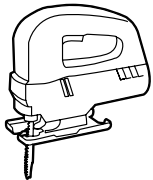
Measuring tape



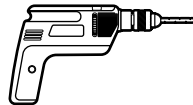
Carpenter's square



Wrenches (2)



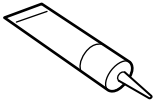
Saber-saw or Jig-saw



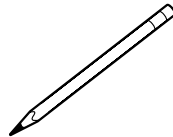
Electric drill



Pipe wrench



Silicone sealant



Pencil



Thread Seal



Flathead screwdriver



Hacksaw



Safety goggles



Safety gloves

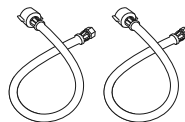
PARTS REQUIRED (NOT INLCUDED)

NOTE:

Parts not shown to actual size.



Tail pipe (2)



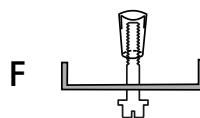
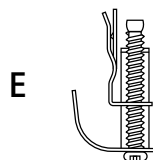
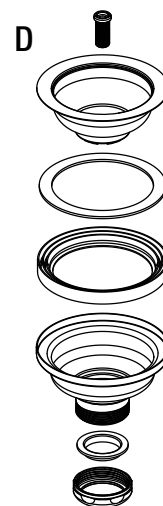
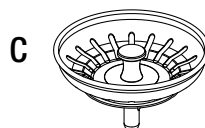
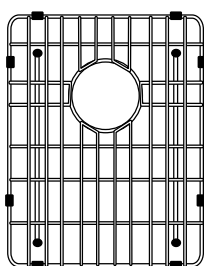
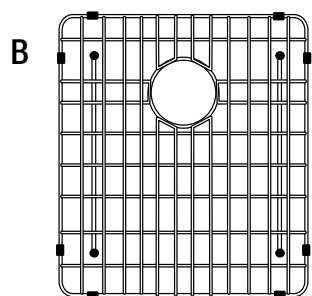
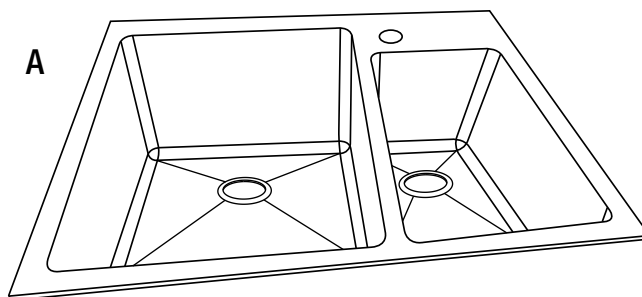
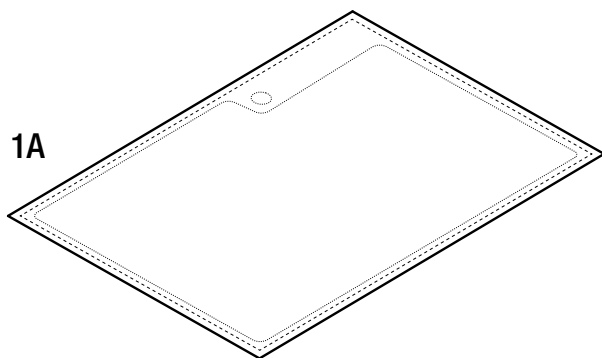
Supply lines (2)

Pre-Installation (continued)

PACKAGE CONTENTS

Carefully check the the package contents for damage and/or missing parts prior to installation. If there is any damage or if you are missing parts, do not proceed with the installation. Report damage and/or missing parts immediately to our customer service team at cs@conglomkb.com or 1-877-333-0098 (Service available in English and French, Monday - Friday from 8:30am - 5pm EST). Please do not dispose of packaging before you are satisfied with your new sink.

ENGLISH



Part	Description	Quantity
1A	Sink Template	1
A	Stainless steel sink	1
B	Bottom grids	2
C	Strainer basket	2
D	Drain assembly	2
E	Topmount clips	12
F	Undermount clips	10

UNDERMOUNT INSTALLATION

PREPARING THE AREA



NOTE:

Undermount sinks are mounted from below the counter. If you are installing a topmount or “drop-in” sink, please see “Topmount Installation”.

It is highly recommended that undermounting be performed by a professional installer. Improper installation will void the warranty. Sink template (1A) shows cut-lines for both undermount and topmount installations. Review it carefully and follow the undermount cut-lines only to install the sink under your counter.

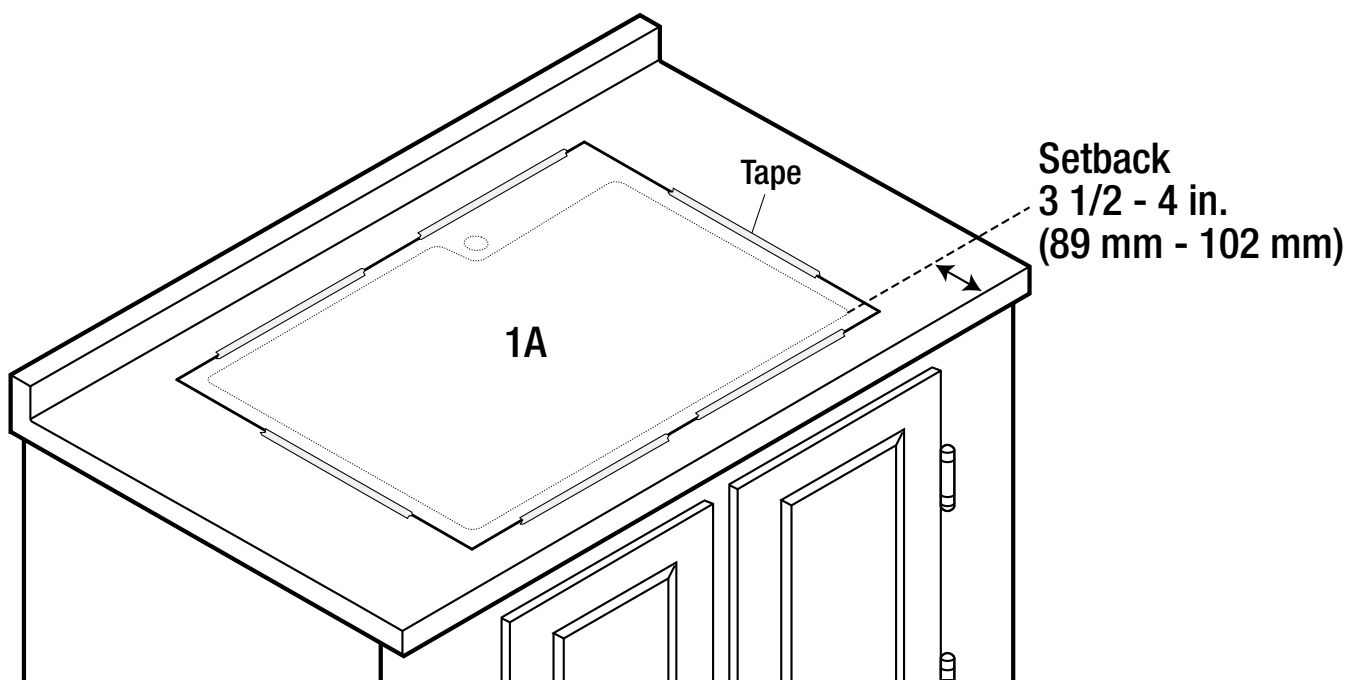
- Place the template (1A) on the desired counter space surface. Keep in mind that the typical setback is 3 1/2 - 4 in. (89 mm - 102 mm) from the front of the counter to the sink bowl (depending on the cabinet structure, the counter overhang, the type of sink bowl, and the deck size).
- Make sure the template (1A) is parallel to the front of the counter.

CUTTING THE COUNTER



CAUTION: Always wear safety goggles and gloves when using power tools to prevent personal injury.

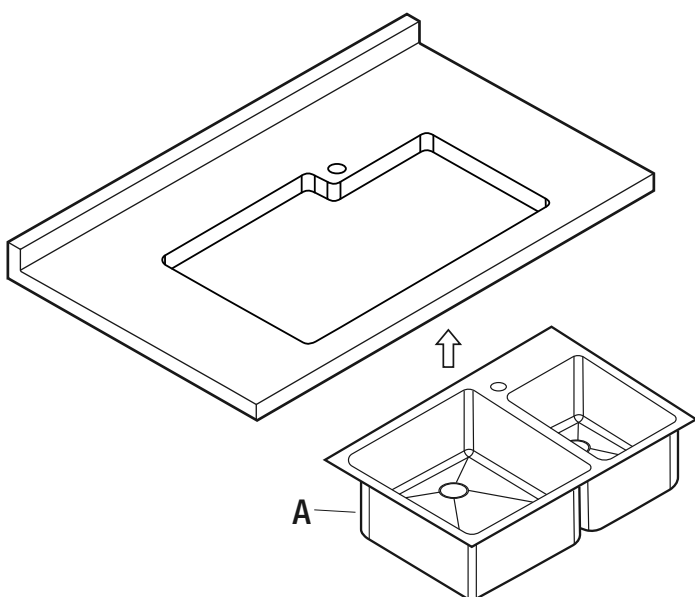
- Ensure that the template (1A) is placed so that the sink will clear all objects and the mounting hardware can be installed. Secure the template to the counter top using masking tape.
- Place a support underneath the cut-out portion of the counter to prevent it from falling during cutting. Use an appropriate saw to cut along the undermount cutline.
- Drill a 1-3/8 in. (35mm) mounting hole for your faucet.



Undermount installation

TESTING THE FIT OF THE SINK

- Place the sink (A) underneath the cut-out in the counter to test its fit. Ensure that the reveal is equal on all four sides when viewed from above. Make adjustments to the cut-out if necessary.
- When you are satisfied with the location of the sink (A), mark the location of the edge of the counter cut-out on top of the sink and all around the sink flange underneath the counter.
- Set the sink aside and proceed with the rest of the installation.

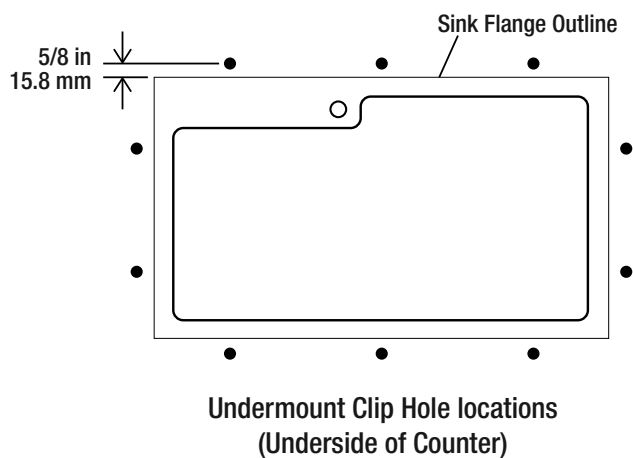


DRILLING THE HOLES FOR THE UNDERMOUNT CLIPS



CAUTION: Always wear safety goggles and gloves when using power tools to prevent personal injury.

- On the underside of the counter, mark the location of the ten holes for the undermount clips (F). These holes should be equally spaced around the sink flange outline as shown below. They should be set back from the sink flange outline by 5/8 in (15.8mm).
- Using an electric drill with a 7/16 in. (11 mm) drill bit, drill each hole so that it is 5/8 in. (15.8 mm) deep. Use a drill bit depth stop to ensure you do not drill through the counter top.



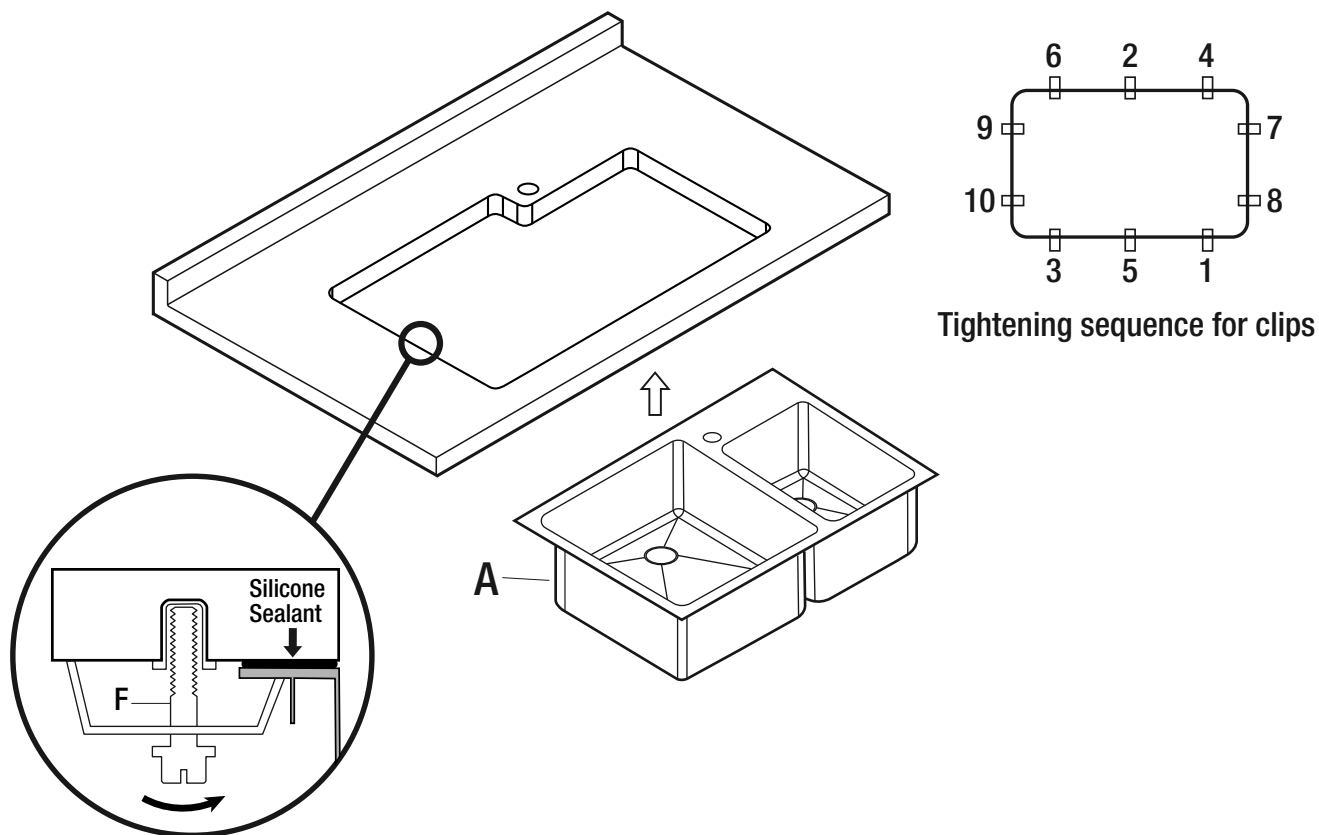
Installation (continued)

INSTALLING THE SINK

NOTE:

Install the strainers according to "Installing the Strainer" instructions before completing this step.

- Press fit the threaded anchor inserts (F) into the holes drilled into the underside of the countertop. Use a bolt to make this process easier if required.
- Loosely thread the undermount bolts and clips into the threaded anchor inserts and align them parallel to the sink flange outline so they do not interfere with the placement of the sink.
- Place a small bead of silicone sealant (not included) around the outer top perimeter of the sink flange as shown below.
- Carefully place the sink (A) into its location under the counter, lining up the sink with the sink flange outline.
- Carefully rotate the clamps of the undermount clips (F) over the sink flange and gently tighten the bolts (see tightening sequence) to fasten the sink. Recheck the alignment visually from above and make final adjustments if necessary, then tighten all the bolts.
- Wipe away any excess silicone and, for best results, allow the bond to rest undisturbed for 8 hours or overnight.
- Install the counter, faucet, and all other plumbing as per manufacturer's instructions.



Tightening sequence for clips

SUPPLY LINES (NOT INCLUDED)

The supply lines, which connect the faucet to the household water system, are not supplied with this unit. They need to be purchased separately. Follow the supply line manufacturer's instructions for proper installation.

TOPMOUNT INSTALLATION

PREPARING THE AREA



NOTE:

Topmount sinks are dropped into the counter from above. If you are installing an undermount sink, please see "Undermount Installation". Sink template (1A) shows cut-lines for both undermount and topmount installations. Review it carefully and follow the outer topmount cut-lines only to install the sink over your counter.

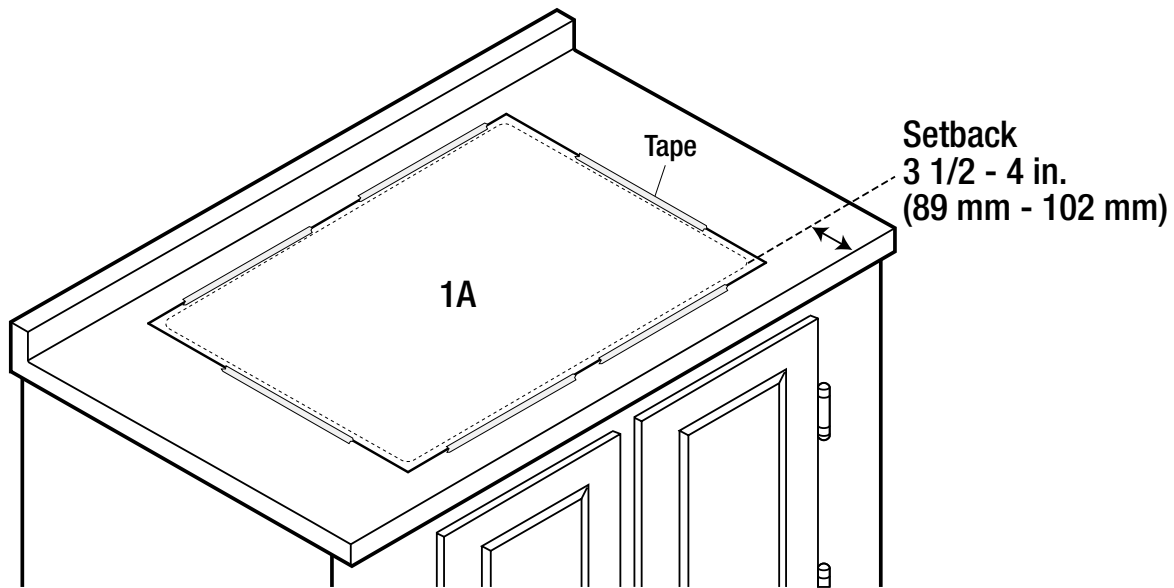
- Center the template (1A) on the counter so that it is parallel to the front of the counter (ensuring that it will not interfere with the inside structure of the cabinet or the counter). It must clear the overhang of the counter and the front inside face of the cabinet.
- Keep in mind that the typical setback is 3 1/2 - 4 in. (89 mm - 102 mm) from the front of the counter to the sink bowl (depending on the cabinet structure, the counter overhang, the type of sink bowl, and the deck size).
- Ensure there is adequate clearance to install the mounting hardware underneath the counter.

CUTTING THE COUNTER



CAUTION: Always wear safety goggles and gloves when using power tools to prevent personal injury.

- Secure the sink template (1A) to the counter top using masking tape.
- Place a support underneath the cut-out portion of the counter to prevent it from falling during cutting. Use an appropriate saw to cut along the topmount cutline.
- Insert the sink (A) into the cut-out in the counter to test the fit. Make adjustments to the cut-out, if necessary.



Topmount installation

Installation (continued)

ENGLISH

INSTALLING THE SINK

NOTE:

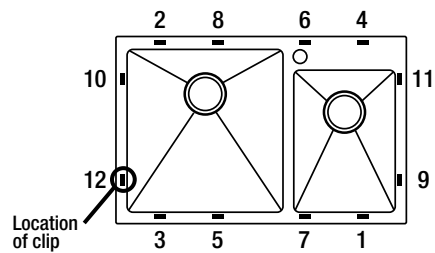
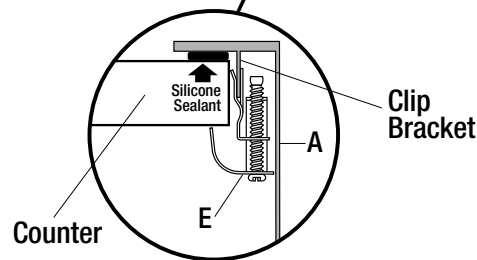
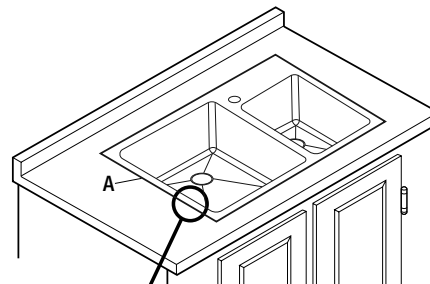
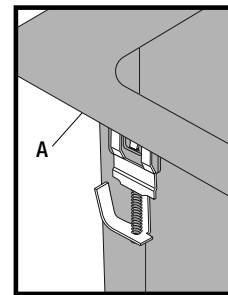
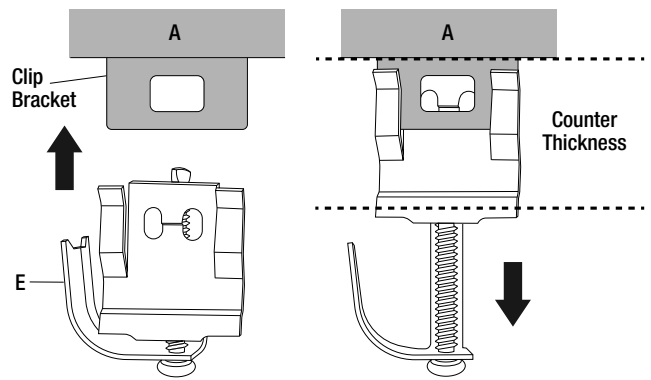
Install the faucet according to the manufacturer's instructions before completing this step. Install the strainers accordingly to the "Installing the Strainer" instructions before completing this step.

- Attach the topmount clips (E) to the clip brackets until they snap in place.
- Using a screw driver, extend the clips such that they clear the counter when installed.
- Rotate the clips so that they are parallel with the sink bowl on all sides.
- Apply silicone sealant (not included) around the underside of the flange of the sink (A) on all four sides or all around the top edge of the cutout in the countertop.
- Carefully lower the sink (A) into the counter, ensuring it is centered and parallel with the front of the counter.
- Rotate the clips into position and tighten them down to the counter progressively (see tightening sequence) until the sink flange is flush with the counter. Do not over-tighten the clips as that can damage the brackets. Check the alignment as you tighten so that the sink (A) is centered and parallel.

NOTE:

If the flange is not flush with the counter, use a heavy weight or clamp from above to press the flange down until the sealant sets.

- When finished, wipe away any excess sealant and allow it to set before proceeding with the rest of the installation.



Tightening sequence for clips

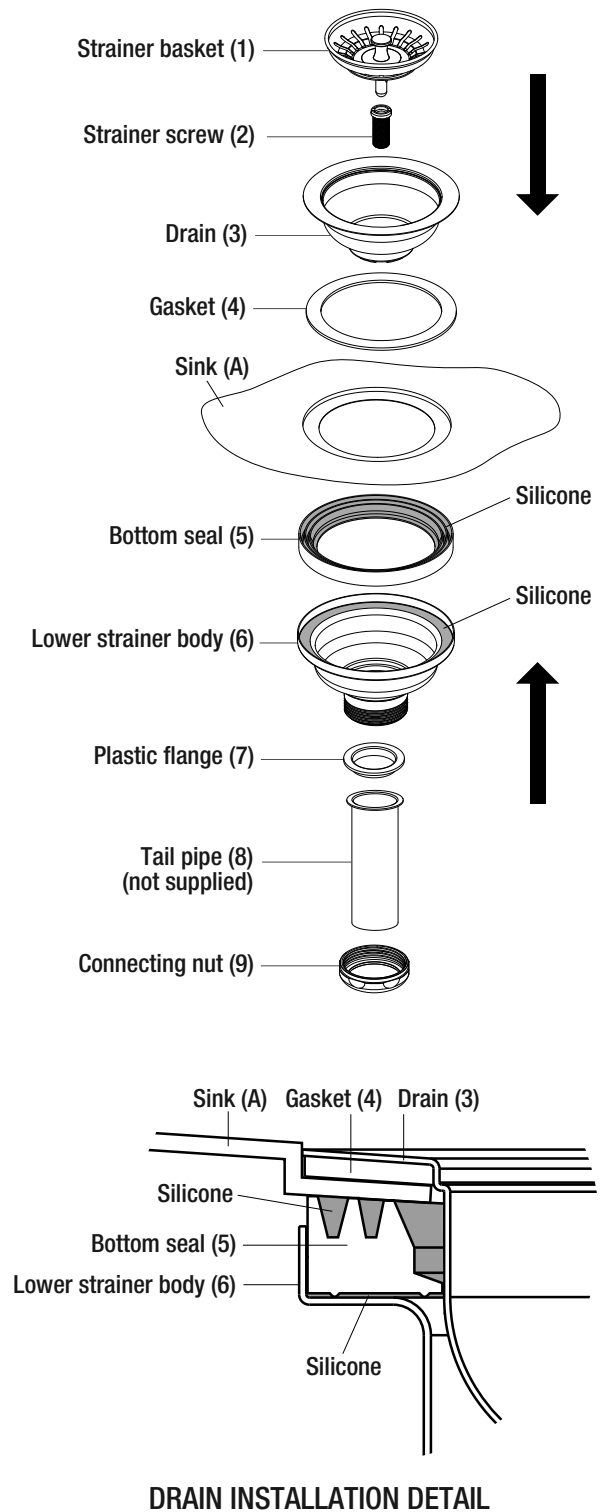
Installation (continued)

INSTALLING THE STRAINER

NOTE:

If you are installing a garbage disposer (not supplied), do not install the strainer.

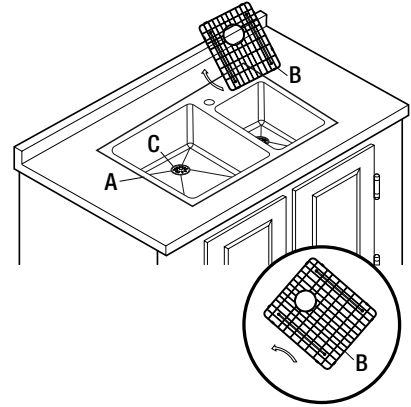
- Position the drain (3) and the gasket (4) into the drain opening of the sink. Silicone or plumbing putty may be used instead of the gasket (4).
- Remove any major surface irregularities from around the bottom of the drain opening.
- Fill both grooves of the bottom seal (5) with silicone sealant (not supplied).
- Push the bottom seal (5) with the grooves against the bottom of the sink such that it is evenly seated.
- Put a small bead of silicone around the flange of the lower strainer body (6).
- Press the lower strainer (6) body into the bottom seal (5) and secure components with the strainer screw (2).
- Tighten the strainer screw (2) until all gaps are eliminated and all the components are tightly seated flat against each other.
- Wipe off excess sealant and allow it to cure as suggested by the sealant manufacturer before connecting your plumbing.
- Insert the plastic flange (7) into the tail pipe (8), and secure them to the lower strainer body (6) using the connecting nut (9) as indicated by the manufacturer.
- Repeat these instructions for second strainer.



Installation (continued)

INSTALLING THE BOTTOM GRIDS

- Ensure that the strainer baskets (C) are already in the sinks (A) before placing the bottom grids (B).
- The bottom grids (B) must be positioned with the rubber supports down. Tilt the grids up so it is at a slight angle, slide them into the sink (A), and place them so that they are sitting flat on the bottom of the sink.



Care and Cleaning

Your sink is manufactured with the highest grade stainless steel and will provide you many years of enjoyment with the proper care.

Do

- After use, always rinse your sink with tap water to dilute and remove deposits.
- Towel dry the sink after use whenever possible to prevent water spots. Should water spots occur, clean with a mild solution of vinegar and water followed by a thorough rinse.
- Use liquid soap, a general household cleaner, or a weak solution of vinegar and water for regular cleaning.
- Only use plastic scouring pads recommended for use in stainless steel sinks, and only use them in the bowl of the sink. Scrub in the direction of the grain (original polish lines).

Do Not

- Do not allow any food, detergent, soap or grease to dry or sit for extended periods of time on the surface of the sink.
- Never use abrasive cleaning products, as they will dull and scratch the finish.
- Do not use scouring pads on the deck, as they will dull the mirror finish.
- Never use steel wool pads or leave steel/cast iron pans in your sink for extended periods of time, as they will leave iron particles on the sink, which can cause corrosion.
- Never use chlorine-based cleaners in your new sink, they could lead to rust spots and discolouration. If you must use them, rinse sink thoroughly with fresh water immediately after use. If any chemicals or glue make contact with the sink during installation, wipe clean and rinse thoroughly with fresh water.

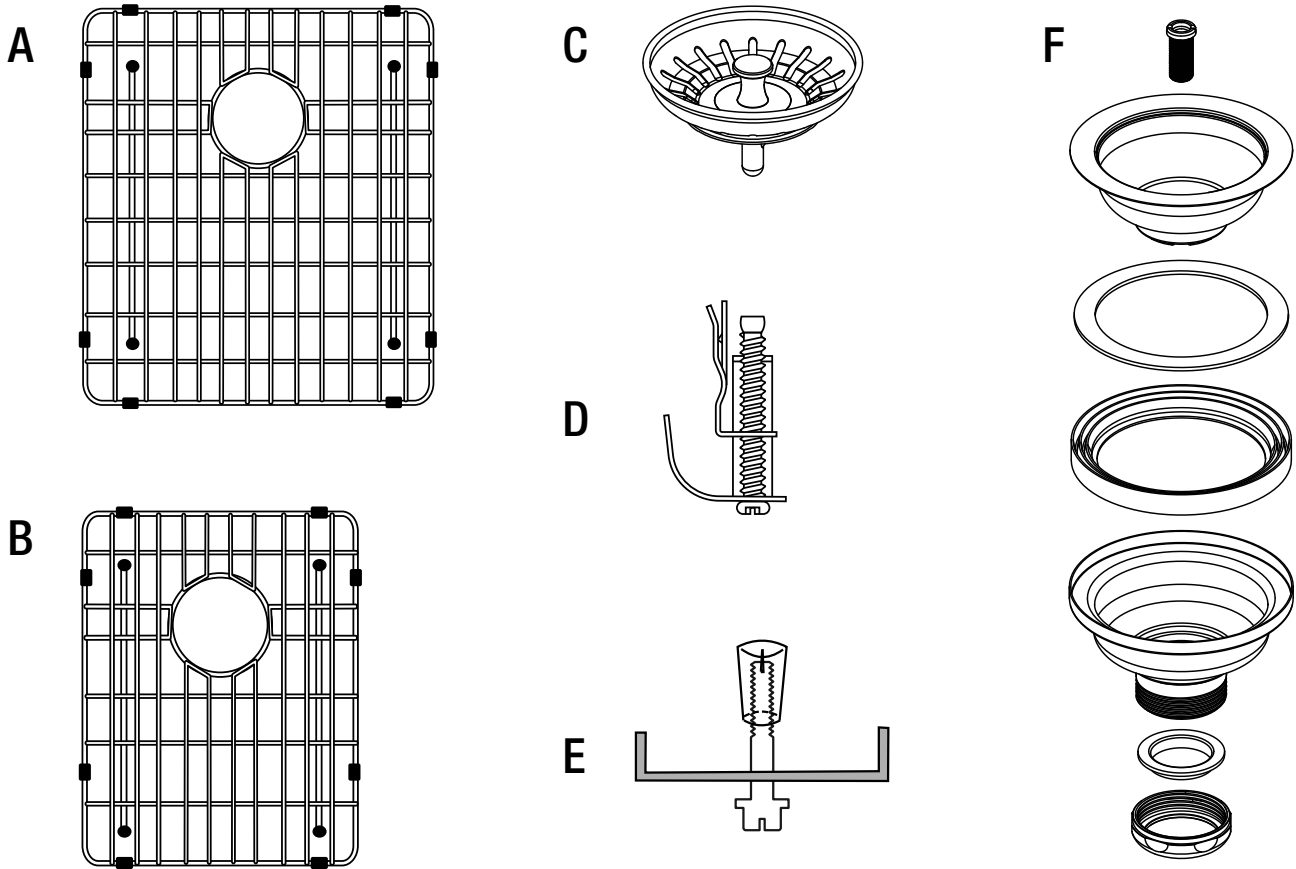
SCRATCH, SPOT, AND BLEMISH REMOVAL AND SURFACE RESTORATION:

Little rust spots and blemishes that periodically appear in the sink are typically the result of the steel interacting with the chemicals found in the vast spectrum of substances that sinks are commonly exposed to. They may also get transferred from other objects placed or left in the sink. Scratches are the result of regular wear and tear.

To remove scratches, spots, and blemishes from the sink, rub them with a non-metallic scouring pad (e.g. Scotch-Brite®) combined with a mild abrasive cleaner (e.g. Vim® or Barkeeper's Friend®). Always rub the surfaces in the direction of the grain of the steel. When finished, rinse the sink with water and dry it with a towel to allow the sink to form a protective outer layer. This procedure can also be used to renew all of the surfaces of the sink.

Service Parts

If you are missing parts or if you require replacement parts, please call our customer service team at cs@conglomkb.com or 1-877-333-0098, 8:30 am - 5 pm, EST Monday - Friday. Identify the required part(s) and have the part number(s) ready.



Part	Description	Code	Quantity
A	Left bottom grid	QHS253	1
B	Right bottom grid	QHS254	1
C	Strainer basket	QHS249	2
D	Topmount clip	QHS248	12
E	Undermount clip	QHS247	10
F	Strainer assembly	QHS250	2

Table des matières

OWNER'S MANUAL	2	Installation	
Consignes de sécurité	14	Installation sous le comptoir	18
Garantie		Installation sur le comptoir	21
Garantie limitée d'un an.	15	Installation de la crépine	23
Procédure de réclamation pour la garantie	15	Installation des grilles métalliques	24
Préinstallation		Soin et Nettoyage	24
Planification de l'installation	16	Pièces de rechange	25
Outils/Matériaux requis	16	MANUAL DEL USARIO	26
Pièces requises	16		
Contenu de l'emballage	17		

Consignes de sécurité

LIRE ET CONSERVER CES INSTRUCTIONS

1. Vérifier soigneusement l'unité avant l'installation pour vous assurer qu'elle ne comporte aucun dommage. Si des dommages sont notés, ne pas installer.
2. Cet appareil ne peut pas être utilisé autrement que pour l'usage prévu par le fabricant. Consulter le fabricant pour toutes questions concernant l'appareil.
3. Votre installation doit être conforme à tous les codes de bâtiment locaux pour la plomberie. Faites en sorte qu'un ouvrier qualifié effectue ou approuve votre installation de plomberie.
4. Protéger la surface lors de l'installation.



AVERTISSEMENT : Toujours porter des lunettes et des gants de sécurité pendant l'installation afin d'éviter les blessures.

GARANTIE LIMITÉE D'UN AN

Inspecter minutieusement le produit avant l'installation et signaler tout dommage sans délai. Nous ne serons pas responsables des défaillances ou des dommages qui auraient dû être découverts ou évités par une inspection adéquate et des essais avant l'installation.

Conglom Kitchen and Bath garantit ce produit contre tout défaut dans les matériaux ou la fabrication, pour une période d'un (1) an à compter de la date de l'achat. Une preuve d'achat (facture d'achat originale) du consommateur/acheteur original devra accompagner toute réclamation faite à Conglom Kitchen & Bath.

Cette garantie est non transférable et sera nulle si l'unité est enlevée de son installation initiale ou si elle n'est pas installée suivant les spécifications du fabricant. Elle ne s'applique pas dans l'éventualité de dommages causés au produit suite à l'utilisation de pièce(s) de rechange autre que les pièces originales Conglom Kitchen and Bath, (les pièces de rechange peuvent être obtenues en nous écrivant un courriel à cs@conglomkb.com ou en appelant au 1-877-333-0098 entre 8 h 30 et 17 h, H.N.E.) une erreur d'installation, l'abus, l'utilisation ou l'entretien incorrecte et le service incorrect (qu'ils soient effectués par un plombier, un entrepreneur, une entreprise de service ou un membre de la famille de l'acheteur). La garantie exclut les dommages causés par des conditions agressives d'air ou d'eau, des nettoyeurs ou des matériaux rudes et/ou abrasifs.

Nous ne pouvons en aucun cas être tenus responsables pour toute blessure corporelle ou tout dommage matériel résultant d'une mauvaise installation ou utilisation de ce produit. Nous ne serons pas tenus responsables de l'incapacité d'utiliser cette unité, des inconvénients, des coûts encourus pour la main-d'oeuvre, des matériaux, de l'enlèvement et de l'installation des unités de remplacement ou d'aucun autre dommage causé par un incident ou accessoire. Les coûts encourus pour obtenir l'accès pour la réparation ou le remplacement sont la responsabilité de l'utilisateur.

Nos obligations se limitent à la réparation ou au remplacement de l'unité (selon notre discrétion) qui peut s'avérer, selon notre examen unique, être défectueuse sous l'utilisation et le service normaux pendant la période de garantie. Nous pouvons émettre un crédit au montant de la valeur de la facture du produit défectueux (ou d'un pourcentage de ce montant selon l'usure) tenant lieu de la réparation ou du remplacement.

Toute défectuosité de l'unité qui ne peut être liée à un défaut de matériel ou de fabrication n'est pas couverte par cette garantie. Ces conditions non garanties incluent, mais ne se limitent pas aux suivantes :

- Une mauvaise installation non conforme aux instructions du fabricant;
- Les bosselures, bosses et rayures causées pendant l'expédition, la manutention ou l'installation;
- Le changement de la couleur ou du fini en raison de l'usage d'un produit chimique;
- Les dommages causés par le non-respect des instructions de soin et de nettoyage, y compris les dommages causés par l'utilisation de produits nettoyeurs abrasifs;
- Toute modification apportée à l'unité par l'acheteur ou l'installateur;
- Les dommages en raison d'un impact accidentel, du feu, d'une inondation, du gel et de l'usure normale;
- Les courbures et les déformations provoquées par des raccords forcés, des fixations trop serrées et un support inadéquat pendant l'installation.
- Dommages causés par l'utilisation de produits nettoyeurs à base de chlore.

Cette garantie ne s'applique pas à l'utilisation ou l'installation à des fins commerciales ou institutionnelles.

PROCÉDURE DE RÉCLAMATION POUR LA GARANTIE

Si un défaut couvert par la garantie se produit ou que vous avez besoin des pièces de rechange, contacter notre service à la clientèle au cs@conglomkb.com ou au 1-877-333-0098 (service disponible en anglais et français du lundi au vendredi de 8 h 30 à 17 h, H.N.E.).

Avant d'appeler, veuillez-vous assurer d'avoir en main :

- Le numéro de modèle ou une description;
- La preuve d'achat;
- Les détails concernant le défaut et/ou le numéro de la pièce de rechange;
- Le nom et l'adresse du propriétaire et/ou de l'installateur.

Préinstallation

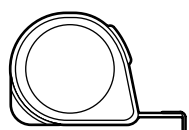
PLANIFICATION DE L'INSTALLATION

Vous pouvez choisir d'installer cet évier soit par montage sous le comptoir (à partir du dessous du comptoir) ou sur le comptoir (à partir du dessus du comptoir). Vous devez installer cet évier seulement dans un comptoir d'au moins 914 mm / 36 po de largeur avec une surface solide d'une épaisseur minimale d'au moins 19 mm / 3/4 po.

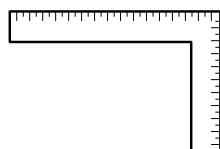
Protéger la surface entière du produit lors de l'installation pour éviter tout dommage.



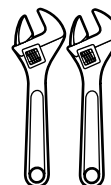
OUTILS/MATÉRIAUX REQUIS



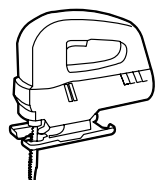
Ruban à mesurer



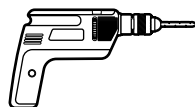
Équerre



Clés (2)



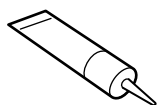
Scie alternative ou scie sauteuse



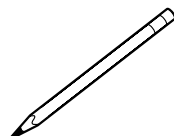
Perceuse électrique



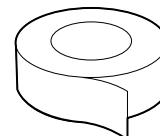
Clé à molette



Mastic



Crayon



Ruban d'étanchéité



Tournevis plat



Scie à métaux



Lunettes de sécurité



Gants de sécurité

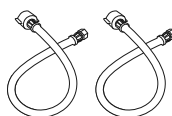
PIÈCES REQUISES (NON INLCUSES)

REMARQUE :

Les pièces ne sont pas illustrées à leur taille réelle.



Tuyau de vidange (2)

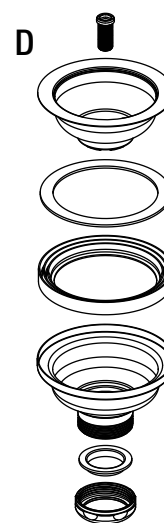
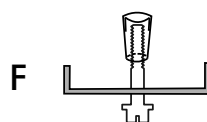
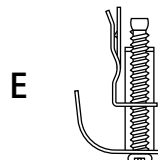
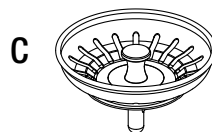
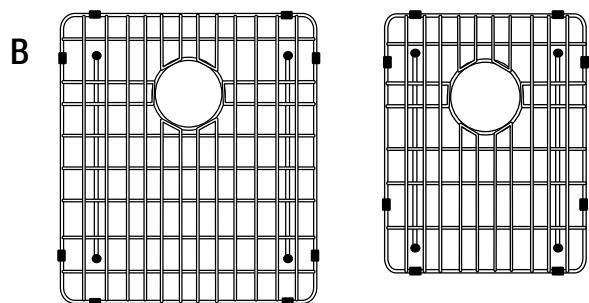
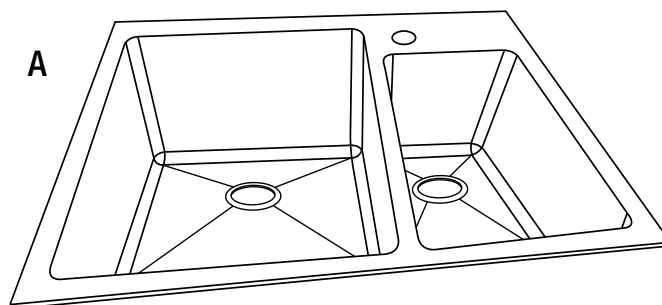
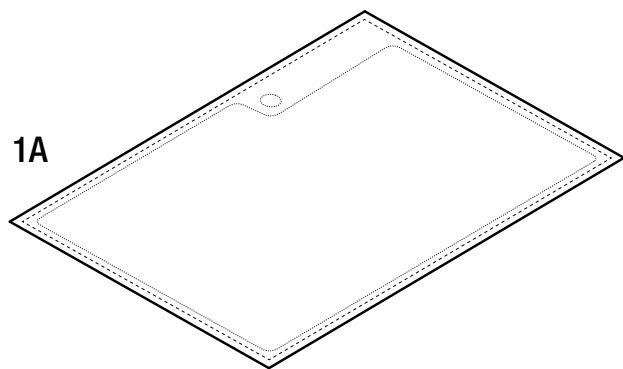


Tuyaux d'alimentation (2)

Préinstallation (suite)

CONTENU DE L'EMBALLAGE

Vérifier soigneusement que l'unité ne comporte aucun dommage ou pièces manquantes avant l'installation. En cas de dommages ou de pièces manquantes, communiquer avec le service à la clientèle au cs@conglomkb.com ou 1 877 333-0098 (service en anglais et français, du lundi au vendredi, 8 h 30 et 17 h, HNE). Ne pas vous débarrasser de l'emballage avant d'être satisfait de ce produit.



Pièce	Description	Quantité
1A	Gabarit pour l'installation	1
A	Évier en acier inoxydable	1
B	Grilles métalliques	2
C	Crépine à rebord infini	2
D	Assemblage de la crépine	2
E	Attaches de fixation par le dessus	12
F	Attaches de fixation par en dessous	10

INSTALLATION SOUS LE COMPTOIR

PRÉPARER LA SURFACE



REMARQUE :

Les éviers à installer sous le comptoir sont installés par le dessous du comptoir. Si vous installez un évier sur le comptoir, veuillez voir la section "Installation sur le comptoir".

Il est fortement recommandé que l'installation sous le comptoir soit effectuée par un professionnel. Une installation inadéquate annulera la garantie. Le gabarit de l'évier (1A) illustre les lignes de coupe pour l'installation sous et sur le comptoir. Examinez-le soigneusement et suivez les lignes de coupe pour l'installation sous le comptoir uniquement pour installer l'évier à partir du dessous de votre comptoir.

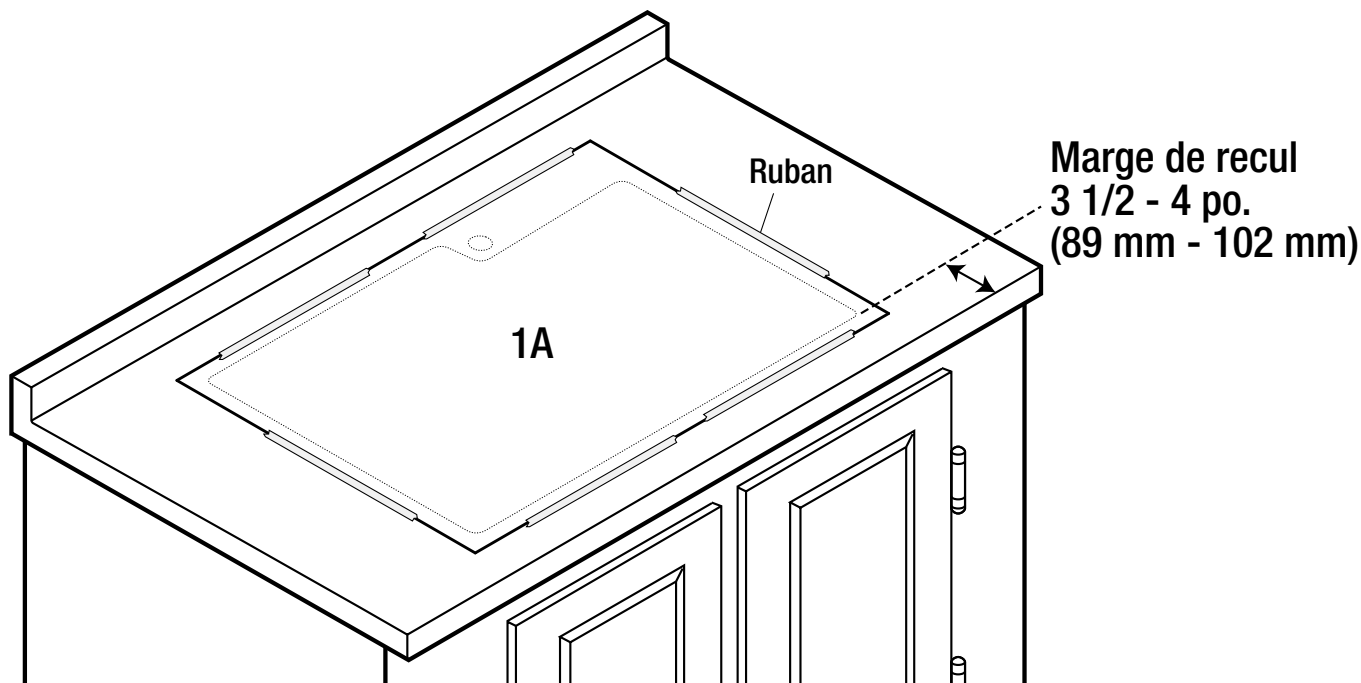
- Placer le gabarit (1A) au-dessus du comptoir sur l'espace d'installation désiré. Veuillez tenir compte que la marge de recul générale est de 3 1/2 - 4 po (89 mm - 102 mm) à partir de l'avant du comptoir (dépendamment de la structure du cabinet, du surplomb du comptoir, du type d'évier et de la taille du plateau de coupe).
- S'assurer que le gabarit (1A) est aligné parallèlement à l'avant du comptoir.

DÉCOUPE DU COMPTOIR



AVERTISSEMENT : Toujours porter des lunettes et des gants de sécurité afin d'éviter les blessures.

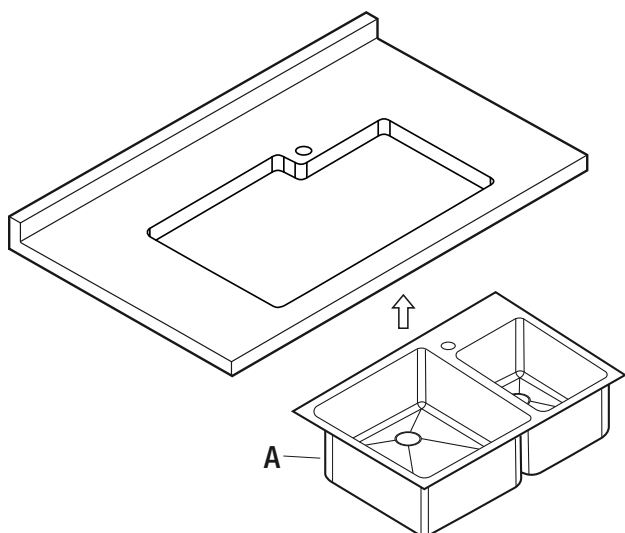
- S'assurer que le gabarit (1A) est placé de manière à ce que l'évier puisse être inséré sans être encombré par d'autres objets et que le matériel de montage puisse être installé. Sécuriser le gabarit sur le comptoir en utilisant du ruban adhésif.
- Placer un support sous la superficie de coupe afin de prévenir que cette portion du comptoir tombe pendant la coupe. Utiliser la scie appropriée pour couper le long du gabarit et enlever la découpe.
- Percer un trou de 1-3/8 po (35 mm) pour l'installation du robinet.



Installation sous le comptoir

AJUSTEMENT DE L'ÉVIER

- Placer l'évier (A) en dessous de la découpe dans le comptoir pour faire l'essai de son ajustement. Faire en sorte que la partie visible est égale sur les quatre côtés lorsque vue du dessus. Ajuster la superficie de coupe, si nécessaire.
- Lorsque vous êtes satisfait de l'emplacement de l'évier (A), marquer l'emplacement du bord de la découpe du comptoir sur au moins deux côtés de l'évier et tout autour du périmètre de la découpe de l'évier.
- Mettre l'évier de côté et procéder au reste de l'installation.

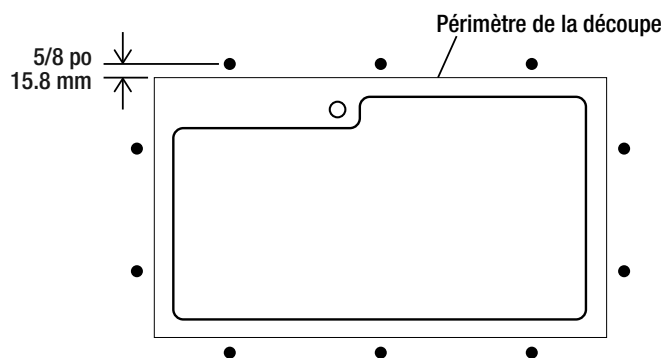


PERÇAGE DES TROUS POUR LES ATTACHES DE FIXATION PAR EN DESSOUS DU COMPTOIR



AVERTISSEMENT : Toujours porter des lunettes et des gants de sécurité afin d'éviter les blessures.

- En dessous du comptoir, marquer l'emplacement des dix trous pour les attaches de fixation sous le comptoir (F). Ces trous doivent être espacés de manière égale autour du périmètre de la découpe tel que montré ci-dessous. Les trous doivent être en retrait de l'ouverture découpée de 15,8 mm (5/8 po.).
- À l'aide d'une perceuse électrique munie d'un foret de 11 mm (7/16 po.), percer chaque trou de sorte qu'il est 15,8 mm (5/8 po.) de profondeur. Utiliser une butée de profondeur du foret pour ne pas percer d'un bout à l'autre du comptoir.



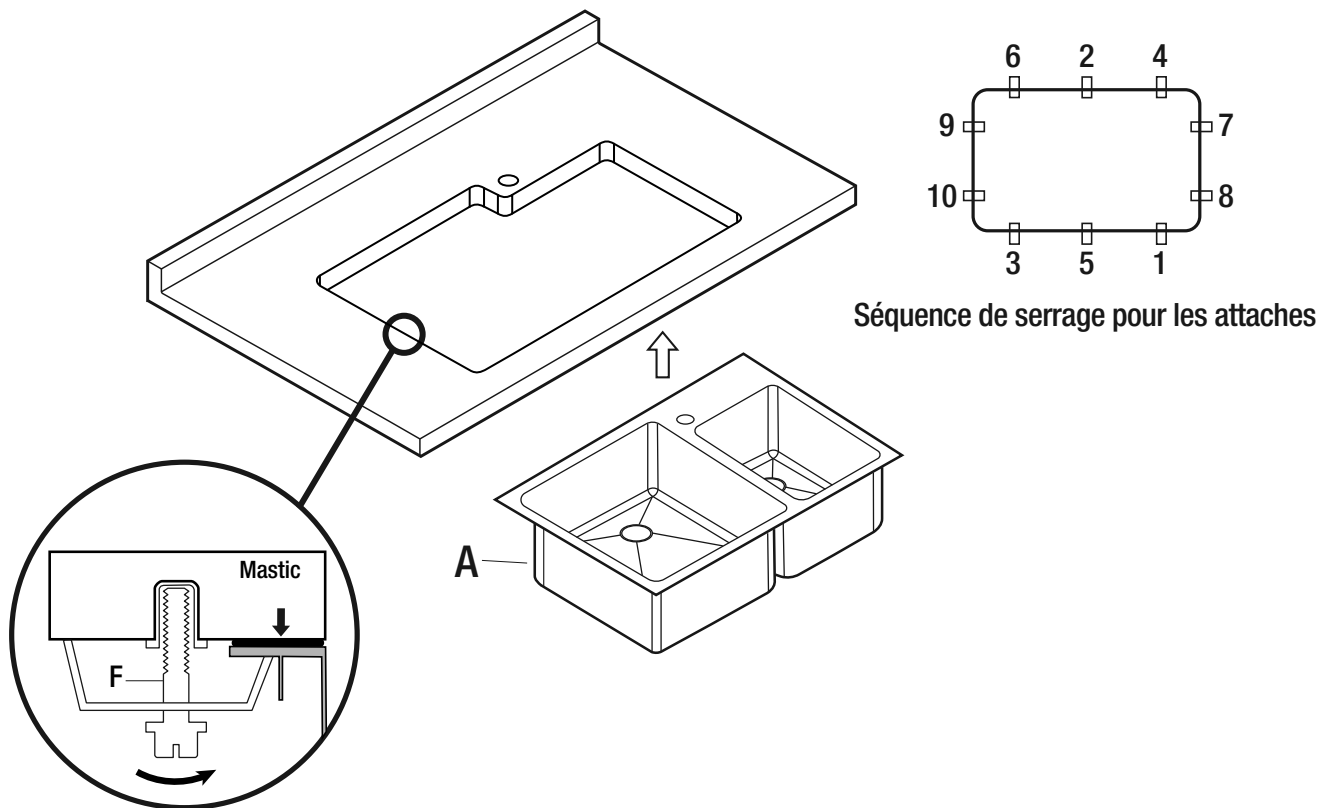
Emplacements des attaches de fixation sous le comptoir
(Vue du dessous du comptoir)

INSTALLATION DE L'ÉVIER

REMARQUE :

Installer les crépines selon les instructions de la section "Installation de la crépine" avant d'accomplir cette étape.

- Placer les fentes filetés des boulons des attaches de fixation sous le comptoir (F) de manière flottante dans les trous que vous avez percés en dessous du comptoir. Utiliser un boulon pour faciliter ce processus si nécessaire.
- Visser les boulons et les attaches de fixation du dessous dans les fentes filetées, sans serrer, et veiller à les aligner parallèlement au rebord de l'évier de façon à ne pas nuire à la mise en place de l'évier.
- Placer une petite goutte de mastic (non inclus) autour du rebord supérieur de l'évier tel que démontré plus bas.
- Placer soigneusement l'évier (A) dans son emplacement sous le comptoir, tout en alignant les marques de crayon sur le rebord de l'évier que vous avez faites lorsque vous avez fait l'ajustement de l'évier.
- Faire soigneusement pivoter les pinces des attaches de fixation du dessous (F) sur le rebord de l'évier (A) et serrer doucement les boulons (voir la séquence de serrage) pour fixer l'évier. Revérifier l'alignement visuellement à partir du dessus et effectuer les derniers ajustements au besoin, puis serrer tous les boulons.
- Essuyer tout excédent de mastic et, pour obtenir de meilleurs résultats, laisser le joint reposer pendant 8 heures ou toute la nuit.
- Installer le comptoir comme indiqué par le fabricant.



ASSEMBLAGE DES TUYAUX D'ALIMENTATION (NON INCLUS)

Les tuyaux d'alimentation qui raccordent le robinet au système d'eau résidentiel ne sont pas fournis avec cette unité. Ils doivent être achetés séparément. Suivre les directives fournies par le fabricant des tuyaux d'alimentation pour une installation adéquate.

INSTALLATION SUR LE COMPTOIR

PRÉPARER LA SURFACE



REMARQUE :

Les éviers installés par le dessus sont déposés sur le comptoir à partir du dessus. Si vous installez un évier sous le comptoir, veuillez voir la section "Installation sous le comptoir". Le gabarit de l'évier (1A) illustre les lignes de coupe pour l'installation sous et sur le comptoir. Examinez-le soigneusement et suivez les lignes de coupe pour l'installation sous le comptoir uniquement pour installer l'évier à partir du dessous de votre comptoir.

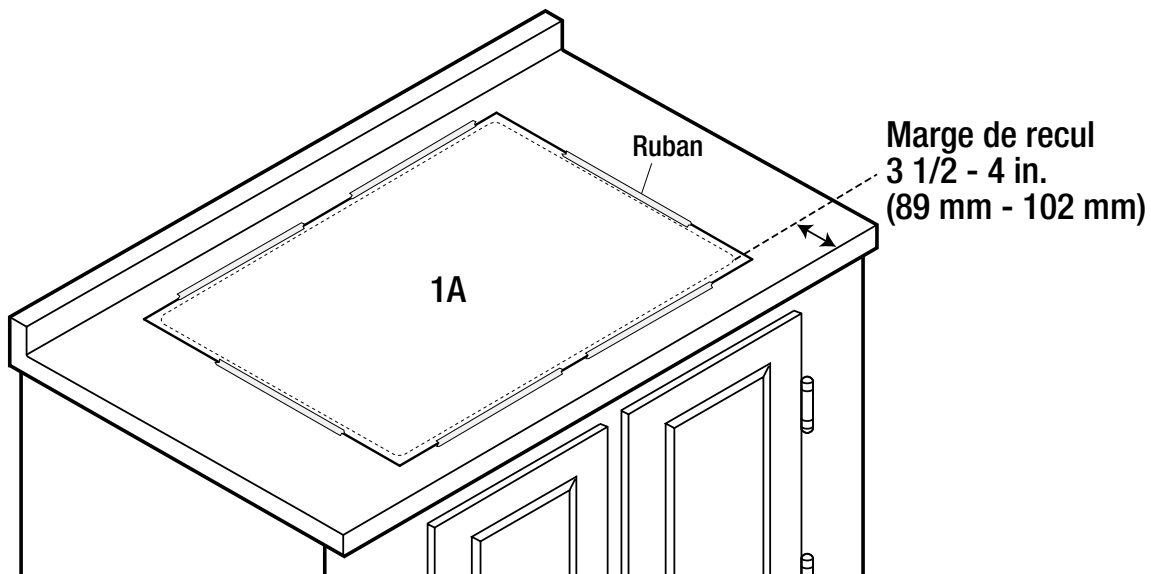
- Centrer le gabarit (1A) sur le comptoir de manière à ce qu'il soit parallèle à l'avant du comptoir (s'assurer qu'il n'y aura pas d'obstruction avec les composantes de structure intérieure du cabinet ou du comptoir). Le tout doit pouvoir passer à travers le surplomb du comptoir et le côté avant de l'intérieur du cabinet.
- Veuillez tenir compte que la marge de recul générale est de 3 1/2 - 4 po (89 mm - 102 mm) à partir de l'avant du comptoir (dépendamment de la structure du cabinet, du surplomb du comptoir, du type d'évier et de la taille du plateau de coupe).
- Assurez-vous qu'il n'y aura pas d'obstruction avec les composantes de structure intérieure du cabinet ou du comptoir.

DÉCOUPE DU COMPTOIR



AVERTISSEMENT : Toujours porter des lunettes et des gants de sécurité afin d'éviter les blessures.

- Sécuriser le gabarit (1A) sur le comptoir en utilisant du ruban adhésif.
- Placer un support sous la superficie de coupe afin de prévenir que cette portion du comptoir tombe pendant la coupe. Utiliser la scie appropriée pour couper le long de la ligne de coupe.
- Insérer l'évier (A) dans le trou au dessus du comptoir pour vérifier si celui-ci est bien ajusté. Ajuster la superficie de coupe si nécessaire.



Installation sur le comptoir

Installation (suite)

INSTALLATION DE L'ÉVIER

REMARQUE:

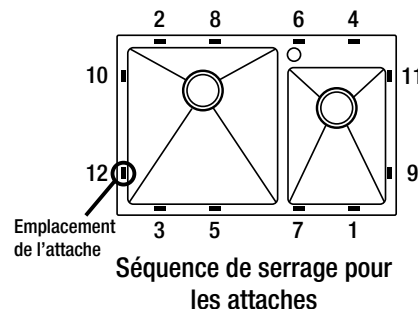
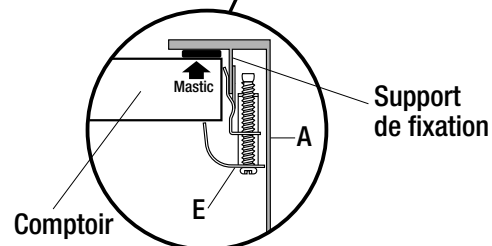
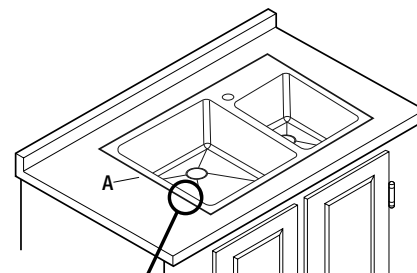
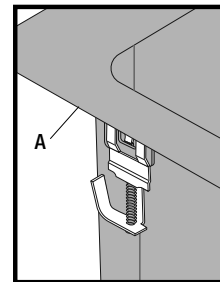
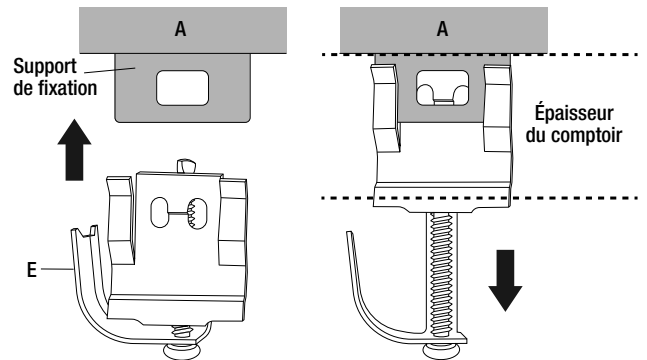
Installez le robinet selon les instructions du fabricant avant cette étape.
Installez les crépines selon les instructions de la section "Installation de la crépine" avant cette étape.

- Fixer les attaches de fixation du dessus (E) aux supports de fixation jusqu'à ce qu'elles s'enclenchent en place.
- À l'aide d'un tournevis, déployer les attaches de manière à dégager le comptoir lors de l'installation.
- Faites pivoter les attaches de manière à ce qu'elles soient parallèles aux cuves de tous les côtés.
- Appliquer du mastic à base de silicone (non fourni) sous le rebord de l'évier (A) des quatre côtés ou tout autour du bord supérieur de la découpe sur le dessus du comptoir.
- Insérer délicatement l'évier (A) dans le comptoir en s'assurant qu'il est centré et parallèle à l'avant du comptoir.
- Tourner les attaches en position et les serrer progressivement vers le comptoir (voir la séquence de serrage) jusqu'à ce que le rebord de l'évier soit à affleurement avec le comptoir. Ne pas trop serrer les attaches pour ne pas endommager les supports. Vérifier l'alignement pendant le serrage pour s'assurer que l'évier (A) est centré et parallèle.

REMARQUE :

Si le rebord n'est pas à affleurement avec le comptoir, placer un poids lourd ou une pince par le haut pour abaisser le rebord jusqu'à ce que le mastic durcisse.

- Une fois terminé, essuyer tout excès de mastic et le laisser durcir avant de poursuivre l'installation.

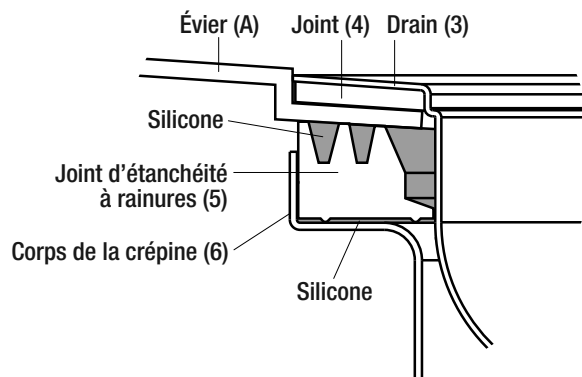
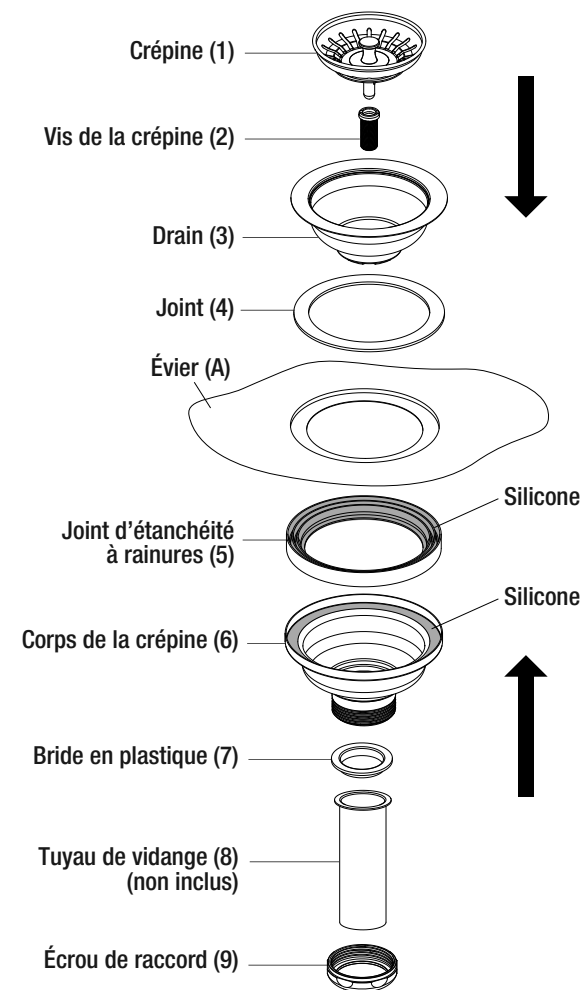


INSTALLATION DE LA CRÉPINE

REMARQUE:

En cas d'installation d'un broyeur à déchets (non inclus), ne pas installer la crépine.

- Placer le drain (3) et le joint (4) dans l'orifice d'évacuation de l'évier. Du silicone ou du mastic de plomberie peut être utilisé à la place du joint (4).
- Éliminer toutes les irrégularités de surface majeures du contour inférieur de l'orifice d'évacuation.
- Remplir les deux rainures du joint d'étanchéité inférieur (5) de mastic à base de silicone (non fourni).
- Pousser le joint d'étanchéité à rainures (5) inférieur contre le fond de l'évier de manière à bien l'asseoir.
- Appliquer un trait de silicone autour du rebord de la partie inférieure du corps de la crépine (6).
- Pousser la partie inférieure (6) du corps de la crépine dans le joint d'étanchéité inférieur (5) et fixer les composants à l'aide de la vis de la crépine (2).
- Serrer la vis de la crépine (2) jusqu'à ce que tous les composants soient bien serrés à plat les uns contre les autres, sans espace.
- Essuyer l'excédent de mastic de plomberie et le laisser durcir selon les recommandations du fabricant du produit, avant de raccorder la tuyauterie.
- Insérer la bride en plastique (7) dans l'extrémité du tuyau de vidange (8), puis les fixer à la partie inférieure du corps de la crépine (6) à l'aide de l'écrou de raccord (9), selon les recommandations du fabricant.
- Suivre ces mêmes instructions pour la deuxième crépine.

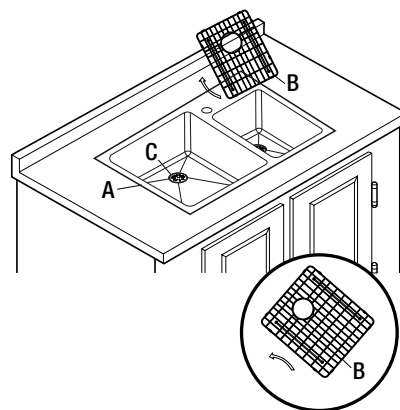


DÉTAIL DE L'INSTALLATION DU DRAIN

Installation (suite)

INSTALLATION DES GRILLES MÉTALLIQUES

- S'assurer que les paniers de crépine à rebord infini (C) sont déjà placés dans l'évier (A) avant de placer les grilles métalliques (B).
- Les grilles métalliques (B) doivent être placées avec ses supports en caoutchouc vers le bas. Incliner les grilles en angle, les faire glisser dans l'évier (A), et les placer de sorte qu'elles reposent à plat au fond de l'évier.



Soin et nettoyage

Votre évier est fabriqué avec de l'acier inoxydable de la plus haute qualité, moyennant l'apport des soins appropriés, il vous fournira un excellent rendement pendant plusieurs années.

À faire

- Après l'utilisation, toujours rincer votre évier avec de l'eau du robinet pour diluer et enlever les dépôts.
- Si possible, sécher à la serviette après toute utilisation pour éviter les traces d'eau. Si les traces d'eau se produisent, nettoyer avec une solution douce de vinaigre et d'eau suivie d'un bon rinçage.
- Employer du savon liquide, un produit nettoyant de ménage général non abrasif, ou une faible solution de vinaigre et d'eau pour le nettoyage régulier.
- Seulement les tampons à récurer en plastique sont recommandés pour une utilisation dans les éviers en acier inoxydable, et ne pas les utiliser que dans la cuve de l'évier. Frotter dans la direction des grains du fini satiné.

À ne pas faire

- Éviter de laisser sécher ou reposer sur la surface de l'évier tout résidu de nourriture, de détergent, de savon, de graisse ou de condiment pendant des périodes prolongées.
- Ne jamais employer des produits abrasifs car ils peuvent ternir et rayer le fini.
- Ne pas utiliser des tampons à récurer dans l'évier car ils peuvent ternir le poli.
- Ne jamais utiliser des tampons de laine et ne jamais laisser des casseroles en acier ou en fonte dans votre évier pendant des périodes prolongées car elles mènent à la corrosion.
- Ne jamais utiliser de nettoyeurs à base de chlore avec votre nouvel évier, ceci pourrait causer l'apparition de taches de rouille ainsi que sa décoloration. Si vous devez utiliser de tels produits nettoyants, rincer vigoureusement avec de l'eau froide immédiatement après leur utilisation. Si d'autres produits chimiques ou de la colle entrent en contact avec la surface de l'évier, essuyer et rincer vigoureusement avec de l'eau froide.

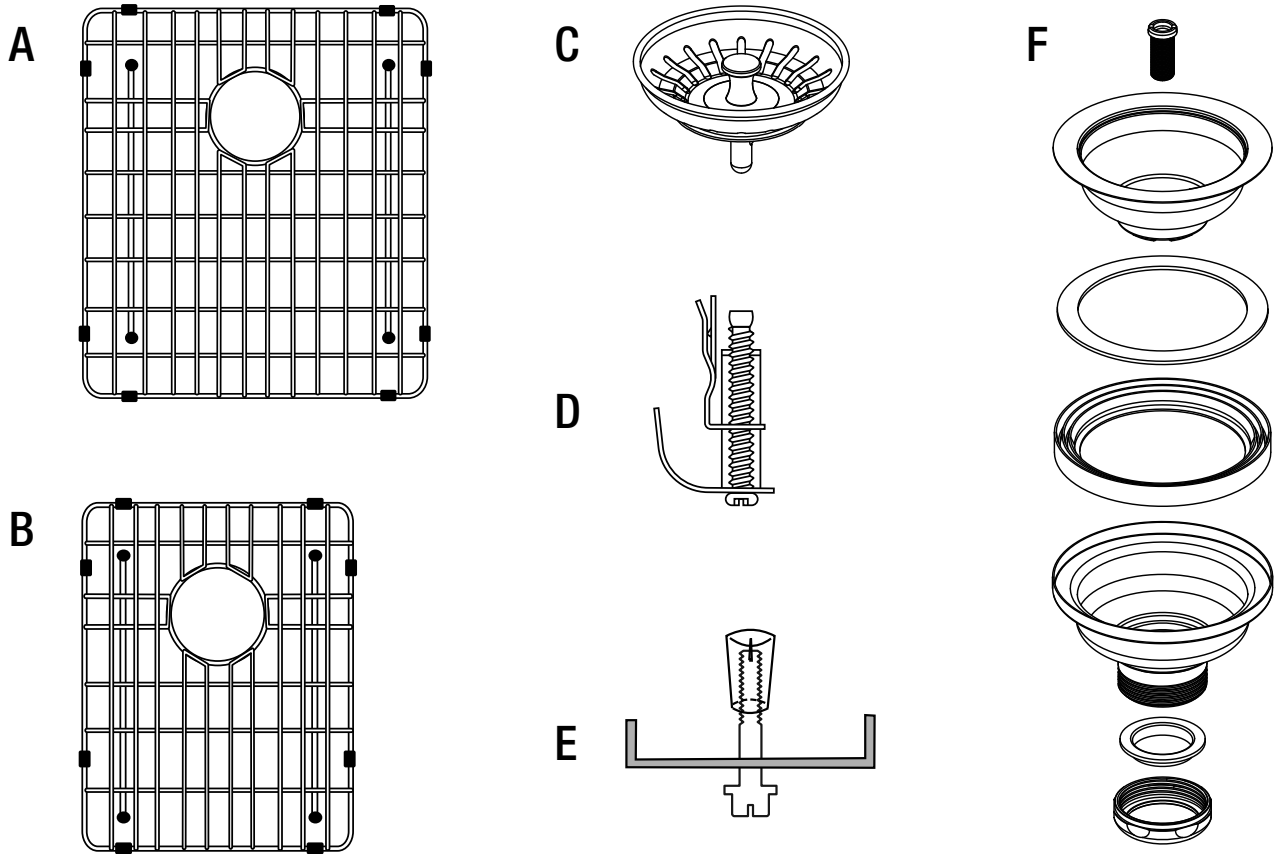
ÉLIMINATION DES RAYURES, TACHES ET IMPERFECTIONS, ET RESTAURATION DES SURFACES:

Les petites taches de rouille qui apparaissent régulièrement dans l'évier sont habituellement causées par l'interaction de l'acier avec les produits chimiques qui se trouvent dans de nombreuses substances auxquelles les éviers sont couramment exposés. Elles peuvent également apparaître lorsque d'autres objets sont placés ou laissés dans l'évier. Les rayures, quant à elles, sont causées par l'usure normale.

Pour enlever les rayures et les taches dans l'évier, frottez-les à l'aide d'un tampon à récurer non métallique (p. ex., Scotch-Brite^{MD}) et d'un nettoyant légèrement abrasif (p. ex., Vim^{MD} ou Barkeeper's Friend^{MD}). Frottez toujours les surfaces dans le sens du grain de l'acier. Lorsque vous avez terminé, rincez l'évier avec de l'eau et essuyez-le à l'aide d'une serviette pour permettre qu'une couche externe protectrice se forme. Vous pouvez également utiliser cette procédure pour redonner à toutes les surfaces de l'évier leur éclat.

Pièces de rechange

Si des pièces sont manquantes ou si vous avez besoin de pièces de rechange, veuillez nous contacter au cs@conglomkb.com ou 1-877-333-0098 (lundi au vendredi, 8 h 30 à 17 h, HNE). Veuillez identifier les pièces nécessaires et ayez les codes à portée de main.



Pièce	Description	Code	Quantité
A	Grille métallique gauche	QHS253	1
B	Grille métallique droite	QHS254	1
C	Crépine	QHS249	2
D	Attaches de fixation par le dessus	QHS248	12
E	Attaches de fixation par en dessous	QHS247	10
F	Assemblage de la crépine	QHS250	2

Índice

OWNER'S MANUAL	2
MANUEL DE L'UTILISATEUR	14
Información de seguridad	26
Garantía	
Garantía de un año	27
Procedimiento de reclamación de garantía	27
Preinstalación	
Planificación de la instalación	28
Herramientas/Materiales necesarios	28
Piezas requeridas	28
Contenido del paquete	29

Instalación	
Montaje inferior	30
Montaje superficial	33
Cómo instalar el escurridor	35
Instalación de rejillas metálicas	36
Cuidado y limpieza	36
Piezas de repuesto	37

Información de seguridad

LEA Y GUARDE ESTAS INSTRUCCIONES

1. Examine la unidad antes de proceder. Verifique si la superficie presenta defectos o daños, abolladuras, curvaturas, golpes o marcas por rozaduras. Si observa algún daño, no le instale.
2. Utilice esta unidad exclusivamente de la manera concebida por el fabricante; si tiene preguntas, comuníquese con el fabricante.
3. La instalación debe cumplir con todos los códigos locales de fontanería. Solicite los servicios de un proveedor calificado para realizar o aprobar la instalación.
4. Proteja la superficie total del producto durante la instalación para evitar daños.



PRECAUCIÓN : Use guantes y gafas de seguridad en todo momento para evitar lesiones personales.

UN AÑO DE GARANTÍA LIMITADA

Se debe realizar una inspección a conciencia antes de la instalación y debe reportar inmediatamente cualquier daño. No nos hacemos responsables por fallos o daños que pudieran haberse descubierto o evitado con una inspección y pruebas adecuadas antes de la instalación.

Conglom Kitchen & Bath garantiza esta campana extractora contra defectos en materiales y de fabricación durante 1 (un) año a partir de la fecha de compra. Es necesario que el comprador original entregue a Conglom Kitchen & Bath el comprobante de compra (recibo original) para todos los reclamos relacionados con la garantía.

Esta garantía no es transferible y será anulada si la unidad se quita del lugar donde se instaló inicialmente o si no se instala de acuerdo con las instrucciones del fabricante. La garantía no se aplica en caso de daños en el producto debidos al uso de piezas distintas a los repuestos originales de Conglom Kitchen & Bath (las piezas de repuesto se pueden obtener enviando un correo electrónico a cs@conglomkb.com o llamando al 1-877-333-0098 entre las 8:30 a. m. y 5:00 p. m. EST) a los errores de instalación, el maltrato, uso indebido y cuidado y mantenimiento inapropiados (sin importar si lo realiza un plomero, contratista, proveedor de servicios o familiar del comprador). La garantía no incluye los daños debidos a condiciones agresivas del aire o el agua, limpiadores y / o materiales fuertes o abrasivos.

Bajo ninguna circunstancia seremos responsables de lesiones físicas o daños a la propiedad que resulten de una instalación o uso inapropiados de este producto. No seremos responsables por inconvenientes ocasionados por pérdida de uso de este producto, costos incurridos en mano de obra o materiales, retiro e instalación de unidades de remplazo, ni ningún otro daño incidental o consecuente. Costos relacionados con la obtención de acceso para la reparación o el reemplazo son la responsabilidad del usuario.

Nuestra obligación se limita a la reparación o reemplazo de una unidad (a nuestra discreción) que pueda comprobarse, únicamente al examinarla nosotros, que tiene defectos bajo un uso y servicio normal durante el periodo de garantía.

Cualquier fallo de este producto que no sea identificable como un defecto en materiales o de fabricación no estará cubierto por esta garantía. Estos artículos que no se pueden garantizar incluyen, pero no se limitan a:

- Instalación indebida sin seguir las instrucciones del fabricante.
- Abolladuras y/o rayones ocasionados durante el transporte, el manejo o la instalación.
- Cambio en el color o acabado debido al uso de productos químicos.
- Daños ocasionados por no seguir las pautas de cuidado y limpieza, incluyendo daños ocasionados por el uso de limpiadores abrasivos.
- Alteraciones hechas a la unidad por parte del comprador o instalador.
- Daños ocasionados por golpes accidentales, incendios, inundaciones, congelamiento y por el desgaste normal.
- Dobleces y deformaciones causados por conexiones forzadas, accesorios demasiado apretados y soporte inadecuado durante la instalación.
- Cualquier defecto o daño a las bombillas.

Esta garantía no cubre el uso o la instalación comercial ni institucional.

PROCEDIMIENTO DE RECLAMACIÓN DE GARANTÍA

Si ocurre un defecto por el que se pueda presentar una reclamación o si se necesitan repuestos, póngase en contacto con nuestro equipo de servicio al cliente escribiendo a cs@conglomkb.com o llamando al teléfono 1-877-333-0098 (de lunes a viernes, de 8:30 a. m. a 5:00 p. m., hora del Este; servicio disponible en inglés y francés).

Antes de llamar para presentar una reclamación, asegúrese de tener a la mano:

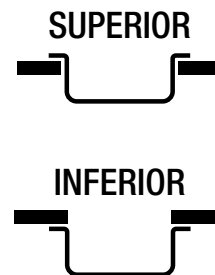
- El número o la descripción del modelo.
- El comprobante de compra.
- Los detalles del defecto y o el número de pieza.
- Nombre(s) y domicilio(s) del propietario y el instalador.

Preinstalación

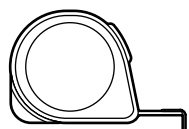
PLANIFICACIÓN DE LA INSTALACIÓN

Puede optar por instalar este fregadero de dos formas: montaje inferior (desde abajo de la encimera) o montaje superior (desde arriba de la encimera). Debe instalar este fregadero únicamente en una encimera de al menos 36 pulg. (914 mm) de ancho con una superficie sólida que tenga un grosor mínimo de al menos 3/4 pulg. (19 mm).

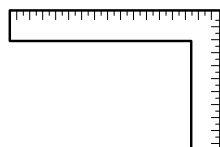
Proteja la superficie total del producto durante la instalación para evitar daños.



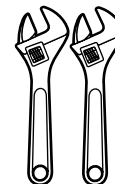
HERRAMIENTAS/MATERIALES REQUERIDOS (NO SUMINISTRADOS)



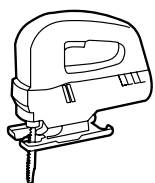
Cinta de medir



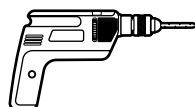
Escuadra de carpintero



Llaves (2)



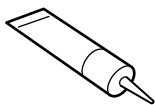
Cierra recíprocante



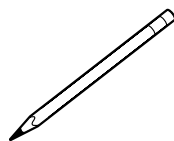
Taladro eléctrico



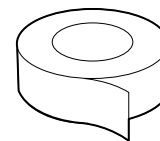
Llave de tubos



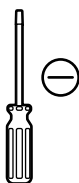
Masilla de plomero



Lapiz



Cinta adhesiva



Desarmador plano



Sierra de mano



Gafas de seguridad



Guantes de seguridad

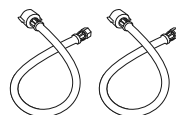
PIEZAS REQUERIDAS (NO SUMINISTRADAS)

NOTA:

Las piezas no se muestran en tamaño real.



Tubo final (2)

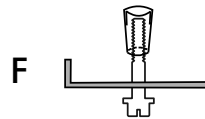
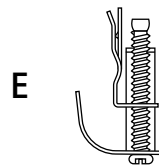
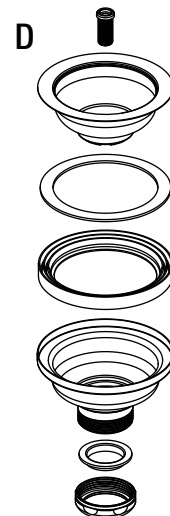
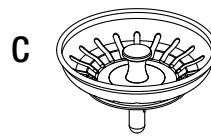
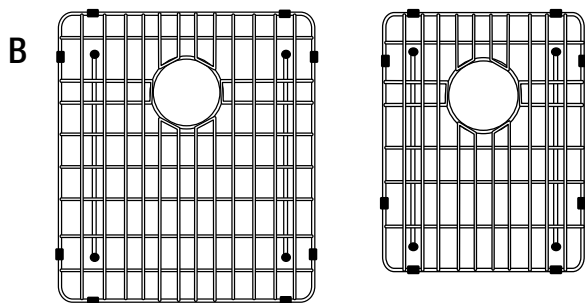
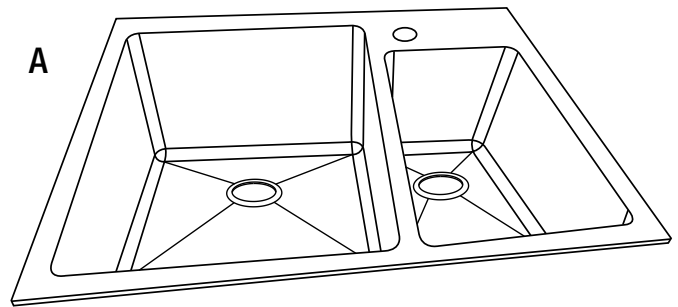
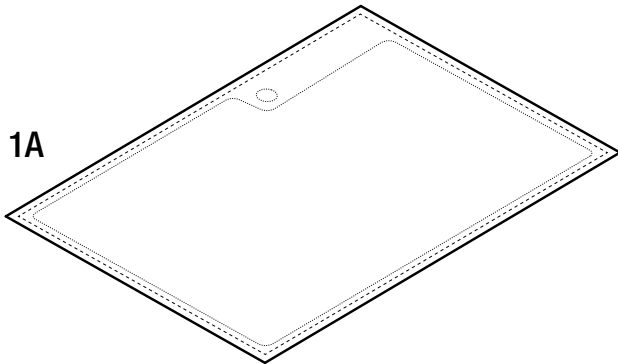


Línea de alimentación (2)

Preinstalación (continuación)

CONTENIDO DEL PAQUETE

Antes de llevar a cabo la instalación, verifique cuidadosamente que la unidad no presente ningún daño ni que falten piezas. En caso de que la unidad esté dañada o falten piezas, comuníquese con el departamento de servicio al cliente vía cs@conglomkb.com o al 1-877-333-0098 (servicio en inglés y francés, de lunes a viernes, de 8:30 a.m. A 5 p.m., hora del Este). No tire el embalaje hasta que quede satisfecho con el producto.



Pieza	Descripción	Cantidad
1A	Plantilla para montaje	1
A	Fregadero de acero inoxidable	1
B	Rejillas metálicas	2
C	Colador	2
D	Conjunto de colador	2
E	Presillas de montaje superficial	12
F	Presillas de montaje inferior	10

Instalación

MONTAJE INFERIOR

PREPARACIÓN DEL ÁREA



NOTA:

Los fregaderos bajo encimera se instalan desde la parte inferior de la encimera. Si está instalando un fregadero de montaje superficial o de encastre, consulte la sección correspondiente a "Montaje superficial".

Recomendamos que un instalador profesional realice la instalación bajo encimera. Una instalación incorrecta anulará la garantía. La plantilla para montaje (1A) indica las líneas de corte para ambos tipos de montaje: bajo encimera y superficial. Exámínela atentamente y siga las líneas de corte correspondientes al montaje bajo encimera solo para instalar el fregadero por debajo de la encimera.

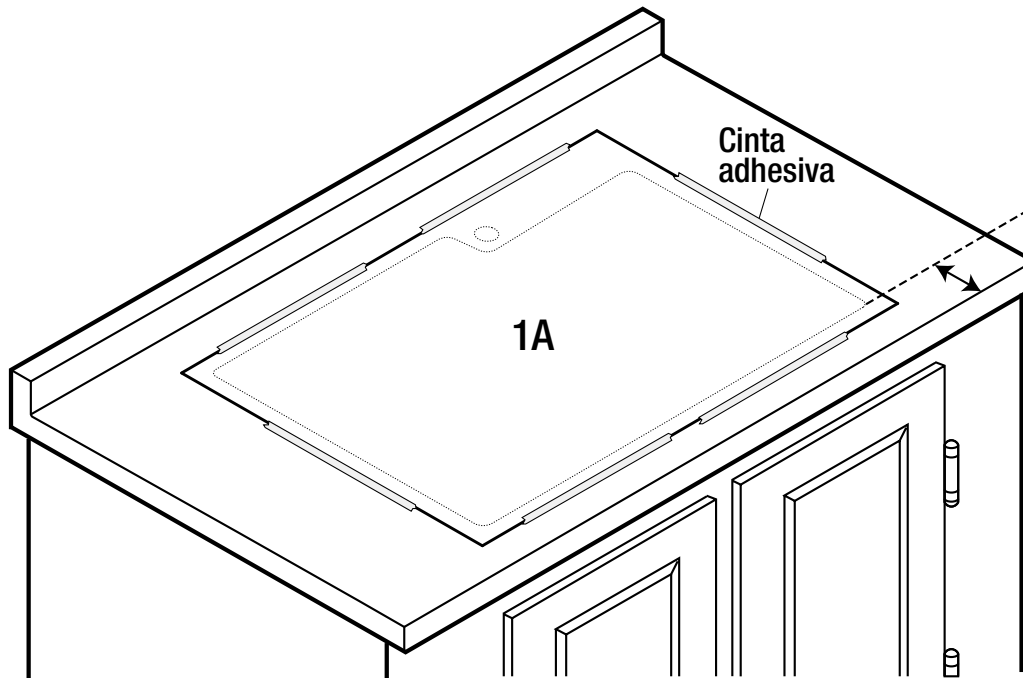
- Coloque la plantilla (1A) sobre el espacio de la encimera que prefiera. Tenga presente que la distancia lateral que se suele utilizar es de 3 1/2 - 4 pulgadas (89 mm - 102 mm) desde el frente de la encimera hasta el recipiente del fregadero (según la estructura de la alacena, el voladizo de la encimera, el tipo de recipiente del fregadero y el tamaño de la plataforma).
- Procure que la plantilla (1A) quede paralela a la parte delantera de la encimera.

CORTE DE LA ENCIMERA



PRECAUCIÓN: Use guantes y gafas de seguridad en todo momento para evitar lesiones personales.

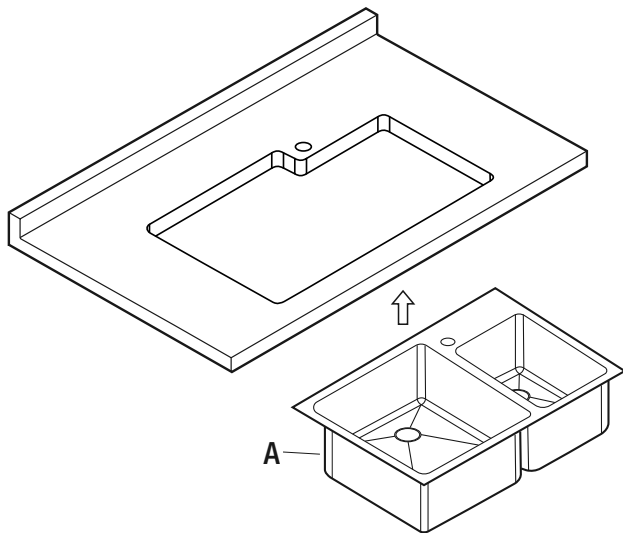
- Procure que la plantilla (1A) se ubique de forma tal que el fregadero quede alejado de todos los objetos y que se puedan instalar los accesorios de montaje. Sujete la plantilla a la parte superior de la encimera, con cinta adhesiva.
- Coloque un soporte debajo de la abertura realizada en la encimera, para evitar que se caiga durante el corte. Utilice una sierra adecuada para cortar por la línea de corte correspondiente al montaje inferior.
- Perfore un agujero de 1-3/8 pulgadas (35 mm) para la instalación del grifo.



Montaje inferior

CÓMO PROBAR EL ENCAJE DEL FREGADERO

- Coloque el fregadero (A) debajo del corte en la encimera para corroborar el ajuste. Asegúrese de que la parte visible sea la misma en los cuatro lados vista desde arriba. De ser necesario, juste el área de corte.
- Cuando esté conforme con la ubicación del fregadero (A), marque la posición del borde de la abertura de la encimera, en la parte superior del fregadero y en todo el contorno de la brida del fregadero, por debajo de la encimera.
- Aparte el fregadero y continúe con el resto de la instalación.

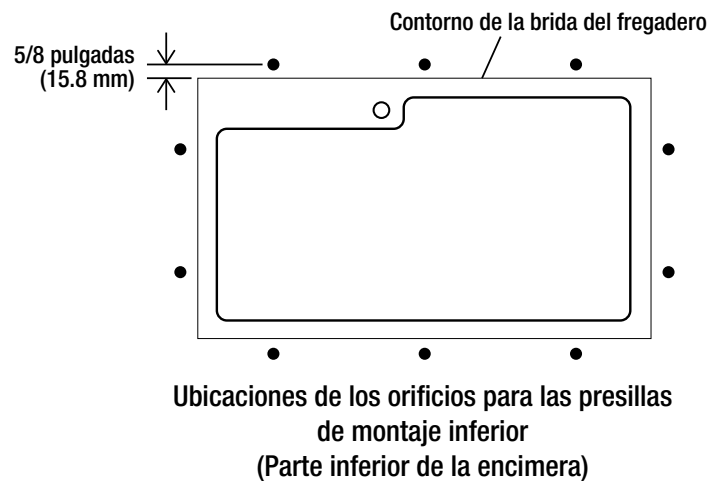


CÓMO PERFORAR LOS ORIFICIOS PARA LOS GANCHOS DE MONTAJE INFERIOR



PRECAUCIÓN: Use guantes y gafas de seguridad en todo momento para evitar lesiones personales.

- En la parte inferior de la encimera, marque la ubicación de los diez orificios para las presillas de montaje inferior (F). Estos orificios se deben ubicar a intervalos regulares, en el contorno de la brida del fregadero, tal como se muestra más abajo. Es necesario separarlos del contorno de la brida del fregadero, alrededor de 15.8 mm (5/8 pulgadas).
- Con ayuda de un taladro eléctrico y una broca de 7/16 pulg. (11 mm), taladre los agujeros con de 15.8 mm (5/8 in) de profundidad. Utilice un tope de profundidad de la broca para asegurarse de no perforar la parte superior de la encimera.



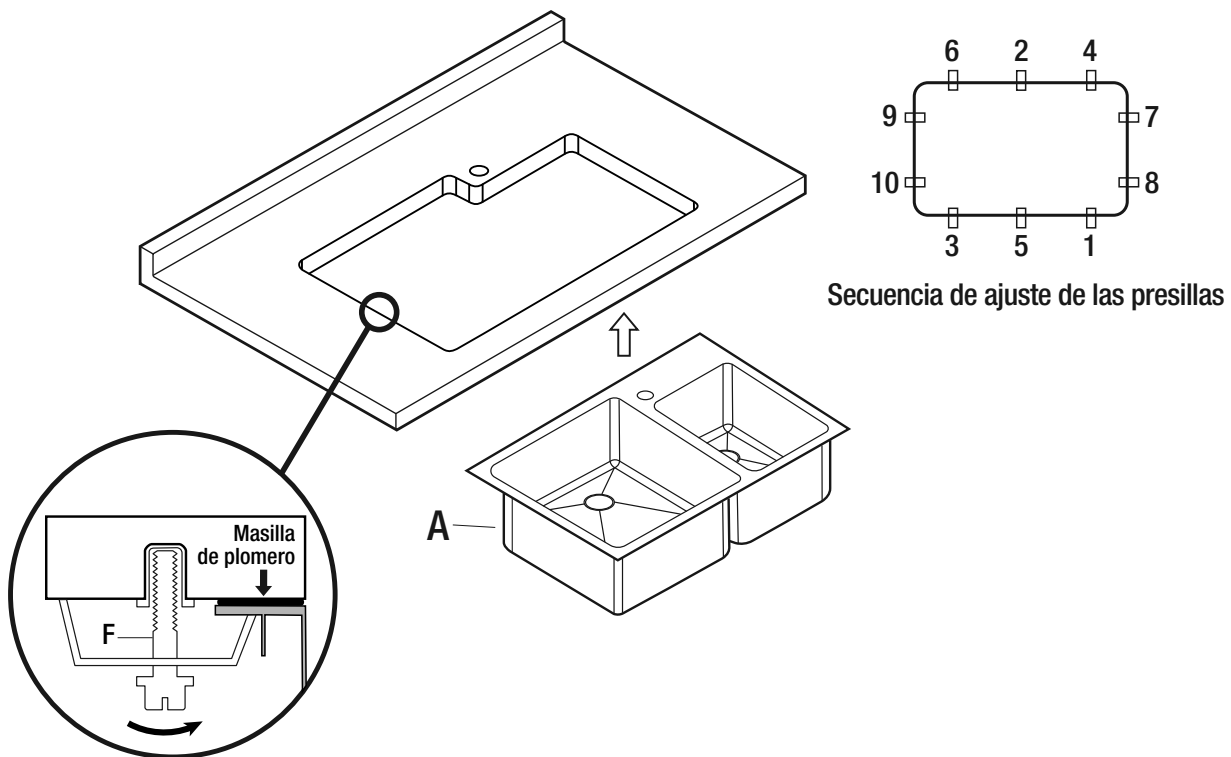
Instalación (continuación)

CÓMO INSTALAR EL FREGADERO

NOTA :

Antes de completar este paso, instale los escurridors siguiendo las instrucciones en la sección "Cómo instalar el escurridor".

- Coloque las presillas de montaje de los pernos de sujeción en la encimera (F) para que floten en los agujeros que perforó debajo de la encimera. De ser necesario, utilice un perno para facilitar este proceso.
- Coloque, sin apretar demasiado, los tornillos y las presillas en los insertos roscados, y ubíquelos en línea, en forma paralela al contorno de la brida del fregadero, para que no interfieran con la colocación del fregadero.
- Coloque una gota de sellador de silicona (no incluido) alrededor del perímetro superior externo de la brida del fregadero, como se muestra más abajo.
- Coloque con cuidado el fregadero (A) debajo de la encimera, mientras alinea las marcas de lápiz en el borde del fregadero que trazó cuando ajustó el fregadero.
- Gire cuidadosamente las abrazaderas de las presillas de montaje inferior (F) sobre la brida del fregadero y ajuste suavemente los pernos (consulte la secuencia de ajuste) para asegurar el fregadero. Verifique nuevamente la alineación desde arriba y realice los ajustes finales, si es necesario, y apriete todos los pernos.
- Limpie todo exceso de silicona y, para obtener mejores resultados, deje secar durante ocho horas o toda la noche.
- Instale la encimera, el grifo y la plomería, según las instrucciones del fabricante.



ENSAMBLAJE DEL TUBO DE ABASTECIMIENTO DE AGUA (NO SUMINISTRADOS)

Las líneas de abastecimiento, que conectan el grifo al suministro de agua de la casa, no vienen incluidos con en esta unidad. Se compran por separado. Siga las instrucciones del fabricante para instalar las líneas de abastecimiento de manera adecuada.

Instalación (continuación)

MONTAJE SUPERFICIAL

PREPARACIÓN DEL ÁREA



NOTA:

Los fregaderos superficiales se colocan en la encimera desde arriba. Si está instalando un fregadero bajo encimera, consulte la sección correspondiente a "Montaje inferior". La plantilla para montaje (1A) indica las líneas de corte para ambos tipos de montaje: bajo encimera y superficial. Exáminela atentamente y siga las líneas de corte exterior correspondientes al montaje superficial, únicamente para instalar el fregadero sobre la encimera.

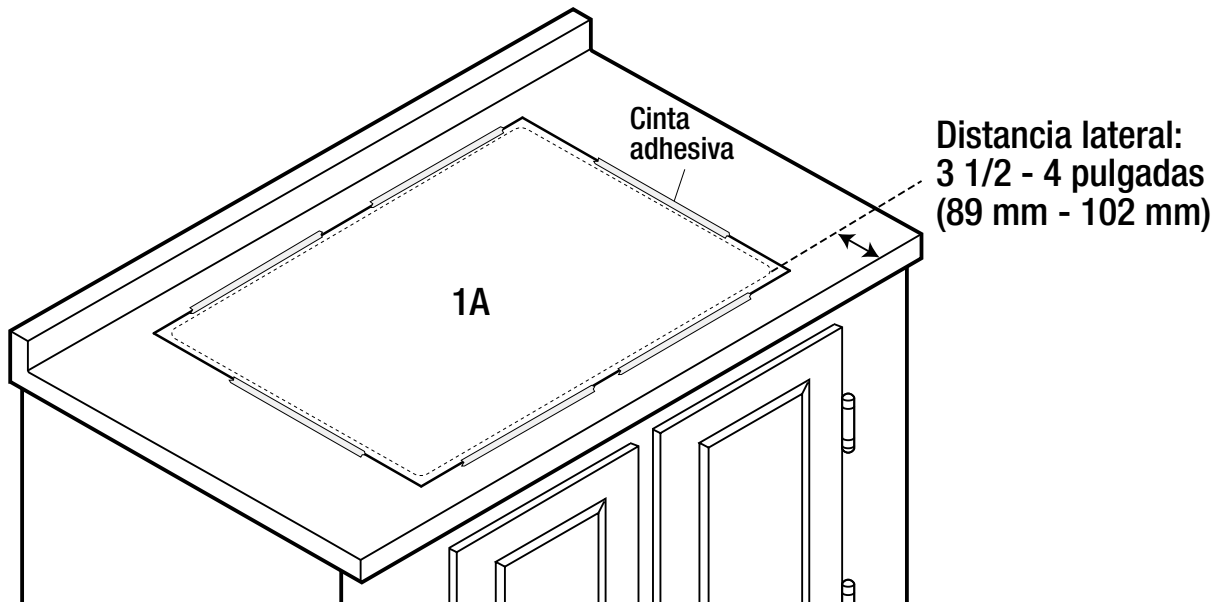
- Centre la plantilla (1A) sobre la encimera, a fin de que quede paralela al frente de la encimera (procurando que no interfiera con la estructura interior de la alacena o de la encimera). Debe quedar alejado del voladizo de la encimera y de la cara delantera interna de la alacena.
- Tenga presente que la distancia lateral que se suele utilizar es de 89 mm - 102 mm (3 1/2 - 4 pulgadas) desde el frente de la encimera hasta el recipiente del fregadero (según la estructura de la alacena, el voladizo de la encimera, el tipo de recipiente del fregadero y el tamaño de la plataforma).
- Procure dejar el espacio suficiente para instalar los accesorios de montaje por debajo de la encimera.

CORTE DE LA ENCIMERA



APRECAUCIÓN: Use guantes y gafas de seguridad en todo momento para evitar lesiones personales.

- Fije con cinta adhesiva la plantilla para montaje (1A) a la parte superior de la encimera.
- Coloque un soporte debajo de la abertura realizada en la encimera, para evitar que se caiga durante el corte. Utilice una sierra adecuada para cortar por la línea de corte superficial.
- Inserte el fregadero (A) en la abertura de la encimera, para probar su encastramiento. Si es necesario, modifique la abertura.



Montaje superior

Instalación (continuación)

CÓMO INSTALAR EL FREGADERO

NOTA:

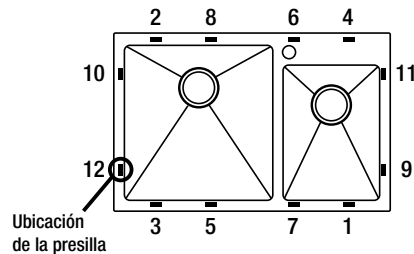
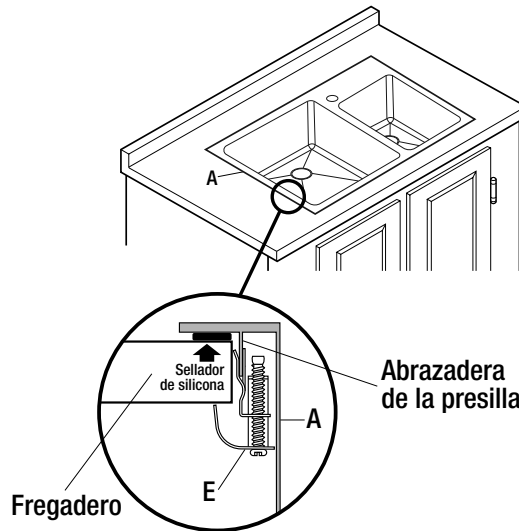
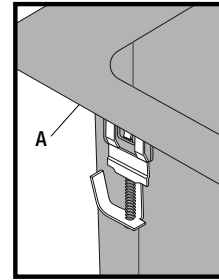
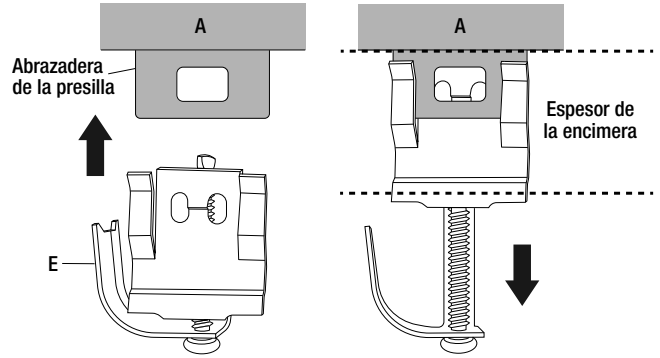
Antes de completar este paso, instale el grifo según las instrucciones del fabricante. Antes de completar este paso, instale los escurridores siguiendo las instrucciones en la sección "Cómo instalar el escurridor".

- Fije las presillas de montaje superficial (E) a las abrazaderas de la presilla hasta que encajen en su lugar.
- Con un destornillador, extienda las presillas de manera que limpien el contador cuando se instalen.
- Gire las presillas para que queden paralelas a los cuencos del fregadero en todos los lados o alrededor del borde superior del recorte en la encimera.
- Aplique sellador de silicona (no incluido) alrededor de la parte inferior de la brida del fregadero (A) en los cuatro lados.
- Baje con cuidado el fregadero (A) en la encimera, asegurándose de que quede centrado y paralelo a la parte delantera de la encimera.
- Gire las presillas en su posición y apriételas en la encimera progresivamente (consulte la secuencia de ajuste) hasta que la brida del fregadero quede nivelada con la encimera. No apriete demasiado las presillas, ya que podría dañar los soportes. A medida que ajusta, controle la alineación, para que el fregadero (A) quede centrado y paralelo.

NOTA:

Si la brida no está al ras con la encimera, coloque algo pesado encima o una abrazadera para presionar la brida hacia abajo hasta que el sellador seque.

- Al terminar, limpie cualquier exceso de sellador y deje secar antes de continuar con el resto de la instalación.



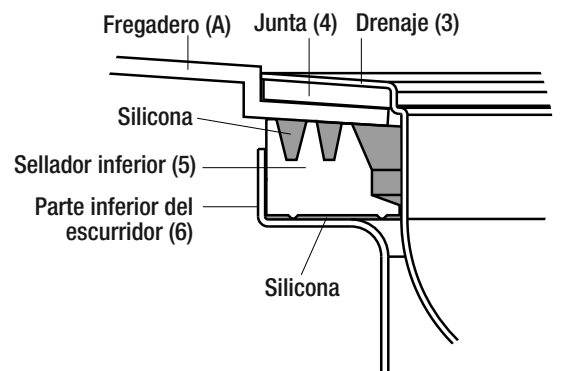
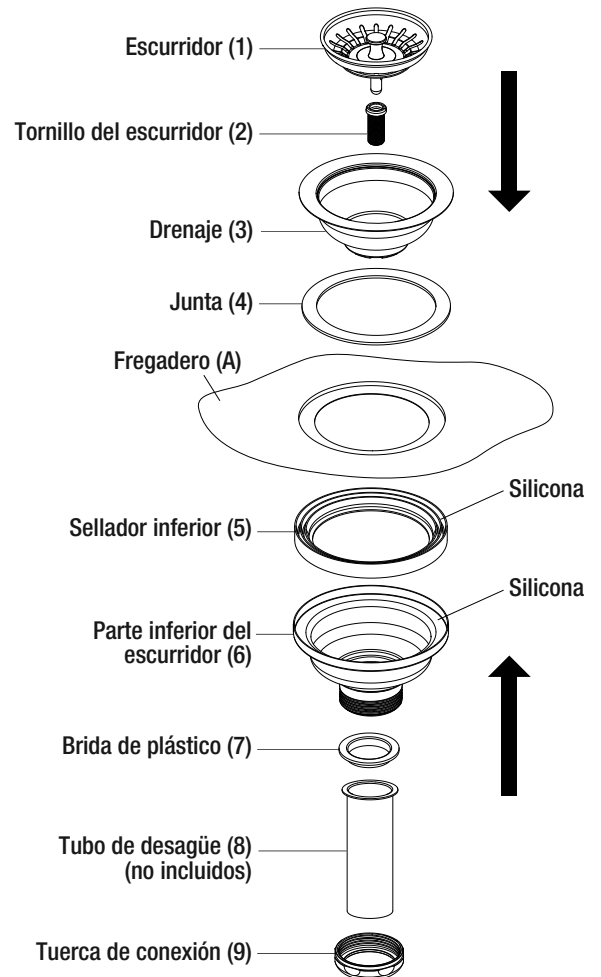
Secuencia de ajuste para las presillas

CÓMO INSTALAR EL ESCURRIDOR

NOTA:

Si va a instalar un triturador de basura (no suministrado), no instale el escurridor.

- Coloque el drenaje (3) y la junta (4) en la abertura de drenaje del fregadero. Puede utilizar masilla de plomería o silicona en lugar de la junta (4).
- Elimine cualquier irregularidad importante de la superficie alrededor de la parte inferior de la abertura del drenaje.
- Llene ambas ranuras del sellador inferior (5) con sellador de silicona (no suministrado).
- Presione el sellador inferior (5) hacia las ranuras contra el fondo del fregadero de manera que quede parejo.
- Coloque una un poco de silicona alrededor de la brida en la parte inferior del escurridor (6).
- Presione la parte inferior del escurridor (6) hacia la parte inferior del sellador (5) y asegure los componentes con el tornillo del escurridor (2).
- Apriete el tornillo del escurridor (2) hasta que se eliminen todos los espacios y todos los componentes estén bien apretados uno contra el otro.
- Limpie el exceso de sellador y permita que seque según lo sugerido por el fabricante del sellador antes de conectar su plomería.
- Inserte la brida de plástico (7) en el tubo de desagüe (8) y fíjela al cuerpo inferior del escurridor (6) con la tuerca de conexión (9), de acuerdo con las indicaciones del fabricante.
- Repita estas instrucciones para el segundo filtro.

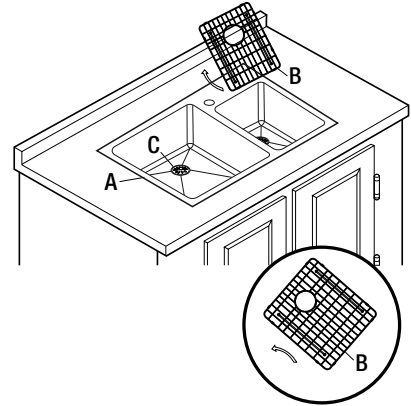


DETALLE DE LA INSTALACIÓN DEL DRENAJE

Cuidado y limpieza

INSTALACIÓN DE REJILLAS METÁLICAS

- Asegúrese de que las canastillas para contracanasta (C) ya estén colocadas en el fregadero (A) antes de colocar las rejillas de metal (B).
- Las rejillas metálicas (B) deben colocarse con los soportes de goma hacia abajo. Inclínelas en ángulo, deslícelas en el fregadero (A) y colóquelas de modo que queden planas en el fondo del mismo.



Cuidado y limpieza

Este fregadero se fabricó con acero inoxidable de la mejor calidad y podrá disfrutarlo muchos años siempre y cuando lo cuide y mantenga adecuadamente.

Hacer

- Después de cada uso lave el fregadero con el agua del grifo para diluir y quitar cualquier depósito.
- Cuando pueda, seque el fregadero con una toalla para evitar que se formen marcas de agua. En caso de que se formen, límpielas con una solución de vinagre y agua, y luego enjuague minuciosamente.
- Utilice jabón líquido, limpiador doméstico multiusos o una solución de vinagre y agua para limpieza regular.
- Use únicamente esponjas plásticas recomendadas para uso en fregaderos de acero inoxidable, y solo úselas en la cubeta del fregadero. Restriegue en el sentido de las líneas de acabado satinado.

No Hacer

- Evite que se seque o se deposite cualquier residuo de comida, detergente, jabón, grasa o condimentos por un período prolongado en la superficie del fregadero.
- Nunca utilice productos abrasivos, ya que opacarán y rayarán el acabado.
- No utilice esponjas en el exterior del fregadero, ya que opacarán el acabado de espejo.
- Nunca utilice esponjas de lana de acero y nunca deje cacerolas de acero o hierro fundido en el fregadero por períodos prolongados, ya que esto puede provocar corrosión.
- Nunca utilice limpiadores a base de cloro en su lavabo nuevo, ya que podrían provocar manchas de óxido o de decoloración. Si debe utilizarlos, enjuague bien el lavabo con agua limpia inmediatamente después de su uso. Si algún producto químico o pegamento entrara en contacto con el lavabo durante su instalación, límpielo y enjuáguelo bien con agua limpia.

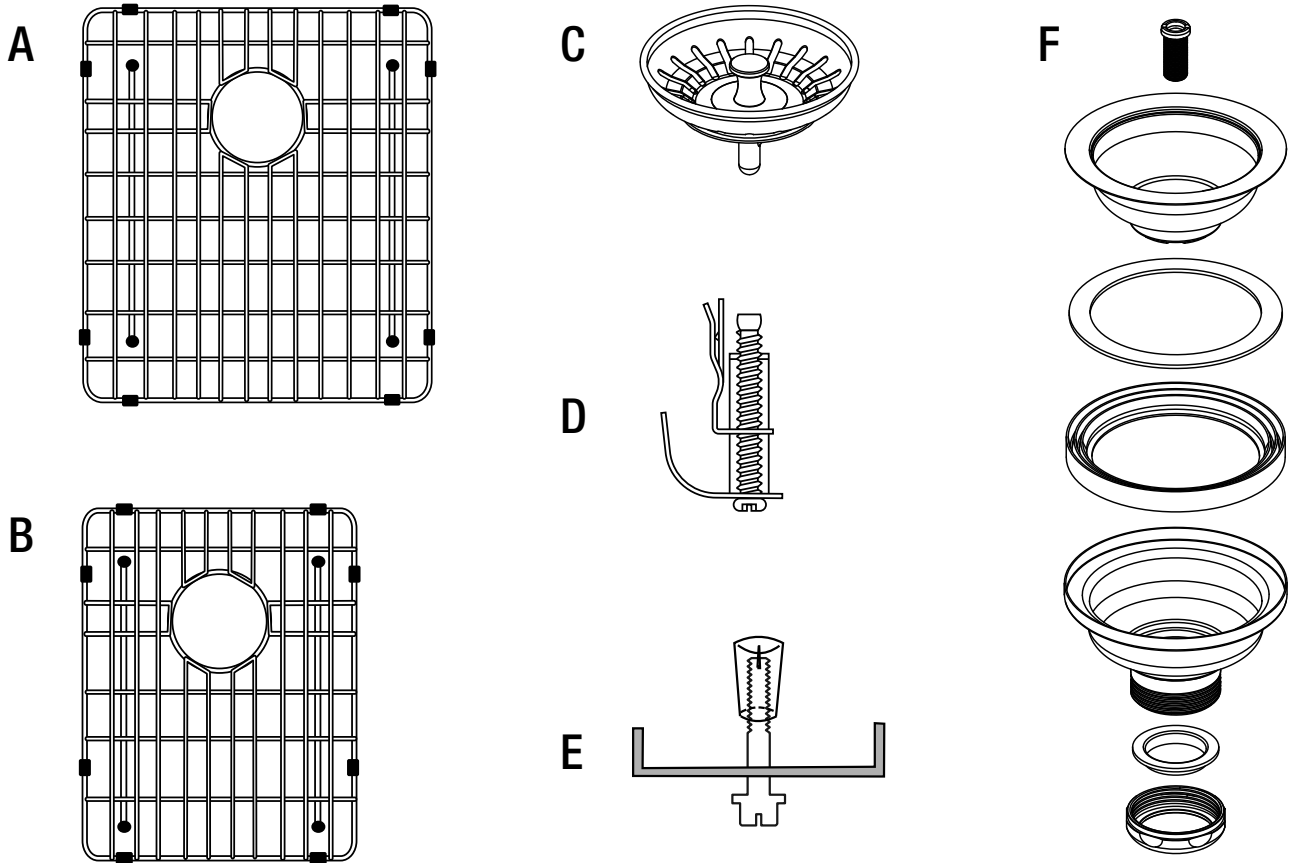
ELIMINAR LOS RAYONES, LAS MANCHAS Y LAS MARCAS, Y RENOVAR LA SUPERFICIE

Las pequeñas marcas y manchas de óxido que con frecuencia aparecen en el lavabo son resultado, por lo general, de la interacción entre el acero y los productos químicos que se encuentran en la gran variedad de sustancias a las que los lavabos están expuestos comúnmente. También es posible que esas sustancias se transfieran al lavabo desde otros objetos colocados o dejados en él. Los rayones son ocasionados por el uso y el desgaste normales.

Para eliminar los rayones, las manchas y las marcas del lavabo, tállelos con una fibra no metálica (p. ej., Scotch-Brite®) junto con un limpiador ligeramente abrasivo (p. ej., Barkeeper's Friend®). Siempre talle las superficies en la dirección de la veta del acero. Al terminar, enjuague el lavabo con agua y séquelo con una toalla, para permitir que se forme en él una capa protectora exterior. El mismo procedimiento puede usarse para renovar todas las superficies del lavabo.

Piezas de repuesto

Si le faltan piezas o requiere refacciones, escríbale a nuestro equipo de servicio al cliente a cs@conglomkb.com o llame al 1-877-333-0098 (de lunes a viernes, de 8:30 a. m. a 5:00 p. m. EST). Identifique la(s) pieza(s) requerida(s) y tenga lista su descripción.



Pieza	Descripción	Código	Cantidad
A	Rejilla metálica izquierda	QHS253	1
B	Rejilla metálica derecha	QHS254	1
C	Colador	QHS249	2
D	Presillas de montaje superficial	QHS248	12
E	Presillas de montaje inferior	QHS247	10
F	Conjunto de colador	QHS250	2

Imported by / Importé par / Importado por :

Conglom
KITCHEN & BATH

St-Laurent, Québec, H4S 2C3

1-877-333-0098 | cs@conglomkb.com

(service available in English and French, Monday - Friday from 8:30 am - 5 pm EST)

(service disponible en anglais et français, du lundi au vendredi, 8h30 à 17h, H.N.E.)

(servicio disponible en inglés y francés, de lunes a viernes, de 8:30 am a 5:00 pm, hora del Este)

www.conglomkb.com

