



by/par **MAAX**

INSTALLATION INSTRUCTIONS GUIDE D'INSTALLATION GUÍA DE INSTALACIÓN

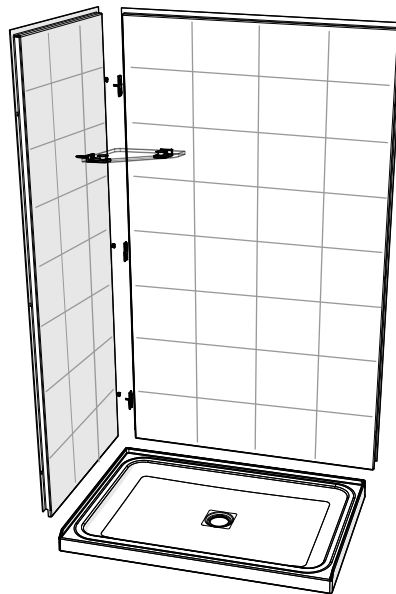
CORNER SHOWER INSTALLATION (2 WALLS) INSTALLATION DOUCHE EN COIN (2 MURS) INSTALACIÓN DE DUCHA EN ESQUINA (2 MUROS)



View Installation Video - Scan QR code with a mobile device



Voir Vidéo d'installation - Balayer QR code avec un dispositif mobile



**HARDWARE INCLUDED
IN BOXES**

**QUINCAILLERIE INCLUSE
DANS LES BOÎTES**

**ACCESORIOS INCLUIDOS
EN LAS CAJAS**

**OPEN ALL BOXES
BEFORE YOU START**

**OUVREZ TOUTES LES
BOÎTES AVANT DE
COMMENCER**

**ABRIR TODAS LAS CAJAS
ANTES DE EMPEZAR**



A two person installation is required.

**Une installation par deux
personnes est requise.**

*Se recomienda realizar la
instalación entre dos personas*

**Read all instructions carefully before proceeding.
SAVE THIS GUIDE FOR FUTURE REFERENCE.**

**Lire toutes les instructions attentivement avant de
commencer l'installation.
CONSERVER POUR UN USAGE ULTÉRIEUR.**

**Leer detenidamente todas las instrucciones antes de
comenzar la instalación
CONSERVAR ESTE MANUAL COMO REFERENCIA.**

IMPORTANT • Record the serial numbers
IMPORTANT • Noter les numéros de série
IMPORTANTE • Registre el número de serie



Serial numbers • Numéros de série • Números de serie

For installation steps in **ENGLISH** go to page 6

Table of contents:	Page
Tools and supplies.....	3
Parts and components.....	4
1. Building the structure.....	6
2. Installing the base.....	7
2. Installing the base (Olympia).....	8
2. Installing the base (B3).....	9
2. Installing the base (Distinct / Zone square).....	10
3. Installing Ulok system on the walls.....	13
4. Temporary installation of back wall.....	14
5. Temporary installation of side wall.....	15
6. Final installation of back wall.....	17
7. Final installation of side wall.....	18
8. Marking and drilling the glass shelf holes.....	19
9. Silicone.....	19
10. Glass shelf installation.....	20
11. Wall finish.....	21
12. Maintenance tips.....	22
13. Warranty.....	60

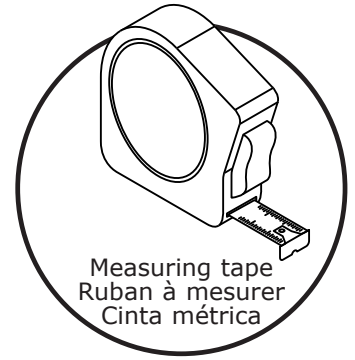
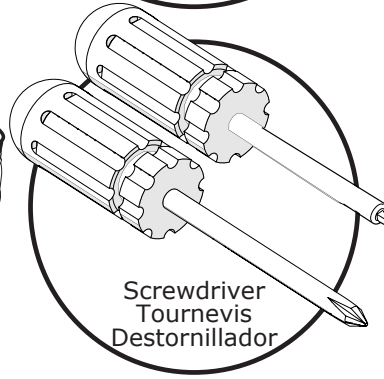
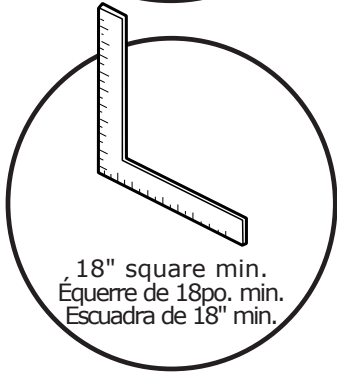
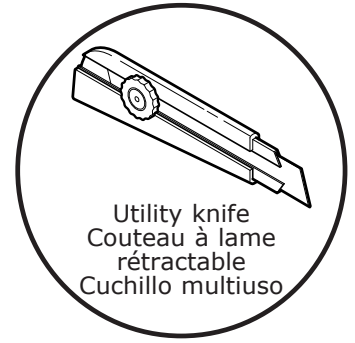
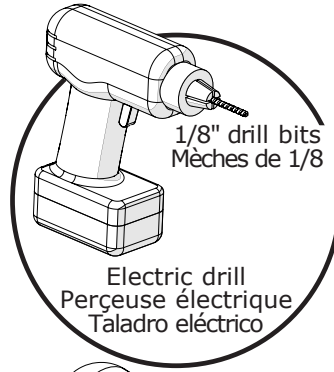
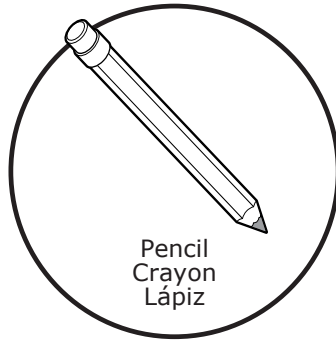
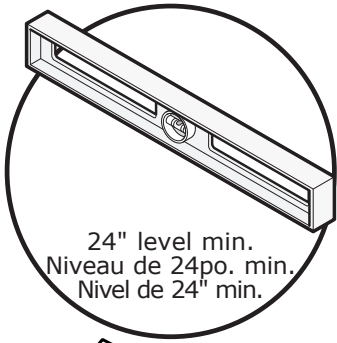
Pour les étapes d'installation en **FRANÇAIS** aller à la page 23

Table de matières:	Page
Outils et matériaux.....	3
Pièces et composants.....	4
1. Construction de la structure.....	23
2. Installation de la base.....	24
2. Installation de la base (Olympia).....	25
2. Installation de la base (B3).....	26
2. Installation de la base (Distinct / Zone square).....	27
3. Installation du système Ulok sur les murs.....	30
4. Installation temporaire du mur arrière.....	31
5. Installation temporaire du mur de côté.....	32
6. Installation finale du mur arrière.....	34
7. Installation finale du mur de côté.....	35
8. Marquage et perçage des trous pour la tablette.....	36
9. Silicone.....	36
10. Installation de la tablette.....	37
11. Finition du mur.....	38
12. Conseils d'entretien.....	39
13. Garantie.....	60

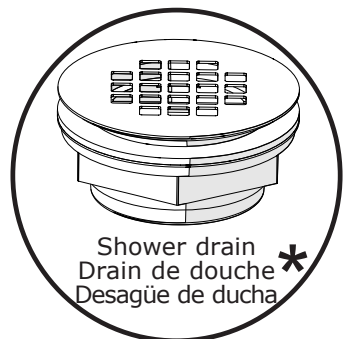
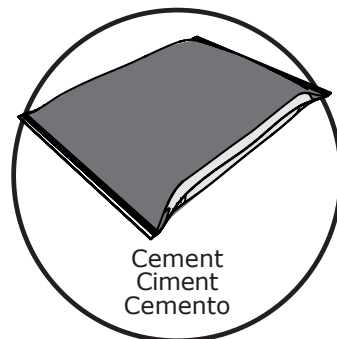
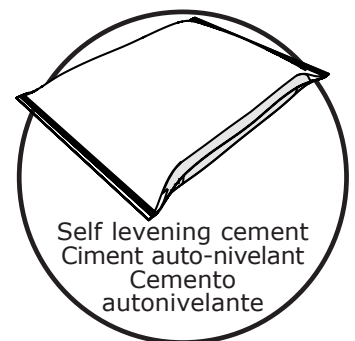
Para las etapas en **ESPAÑOL** ir a la pagina 40

Tabla de contenido:	Página
Herramientas y materiales.....	3
Piezas y componentes.....	4
1. Construcción de la estructura.....	40
2. Instalación de la base.....	41
2. Instalación de la base (Olympia).....	42
2. Instalación de la base (B3).....	43
2. Instalación de la base (Distinct / Zone square).....	44
3. Instalación del sistema Ulok sobre los muros.....	47
4. Instalación temporal del muro posterior.....	48
5. Instalación temporal de los muros laterales.....	49
6. Instalación final del muro posterior.....	51
7. Instalación final de los muros laterales.....	52
8. Marcado y perforación de agujeros para la repisa.....	53
9. Silicona.....	53
10. Instalación de la repisa.....	54
11. Acabado del muro.....	55
12. Consejos de mantenimiento.....	56
13. Garantía.....	60

TOOLS | OUTILS | HERRAMIENTAS
REQUIRED | REQUIS | NECESARIAS



SUPPLIES | MATÉRIAUX | MATERIALES
SOLD SEPARATELY | VENDUS SÉPARÉMENT | VENDIDOS POR SEPARADO



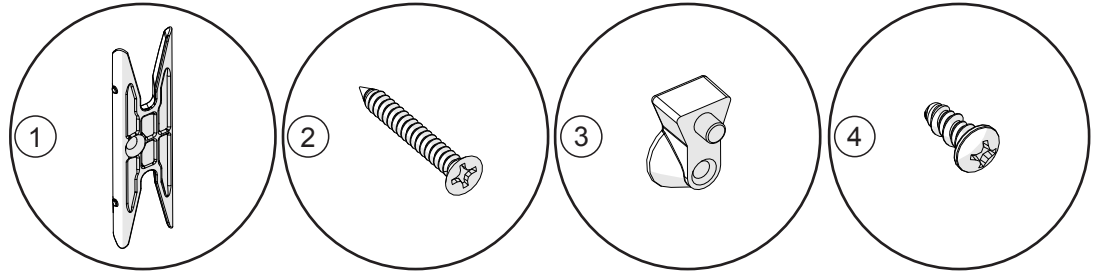
* Drain required for the Distinct shower base
 * Drain requis pour la base de douche Distinct
 * Desagüe requerido para la base de ducha Distinct

PARTS | PIÈCES | PIEZAS

Inside the sidewall box
À l'intérieur de la boîte
du mur de côté
En el interior de la caja
del muro lateral



PARTS INCLUDED IN PARTS PACK | PIÈCES COMPRISES DANS L'EMBALLAGE DES PIÈCES
| PIEZAS INCLUIDAS EN PAQUETE DE PIEZAS

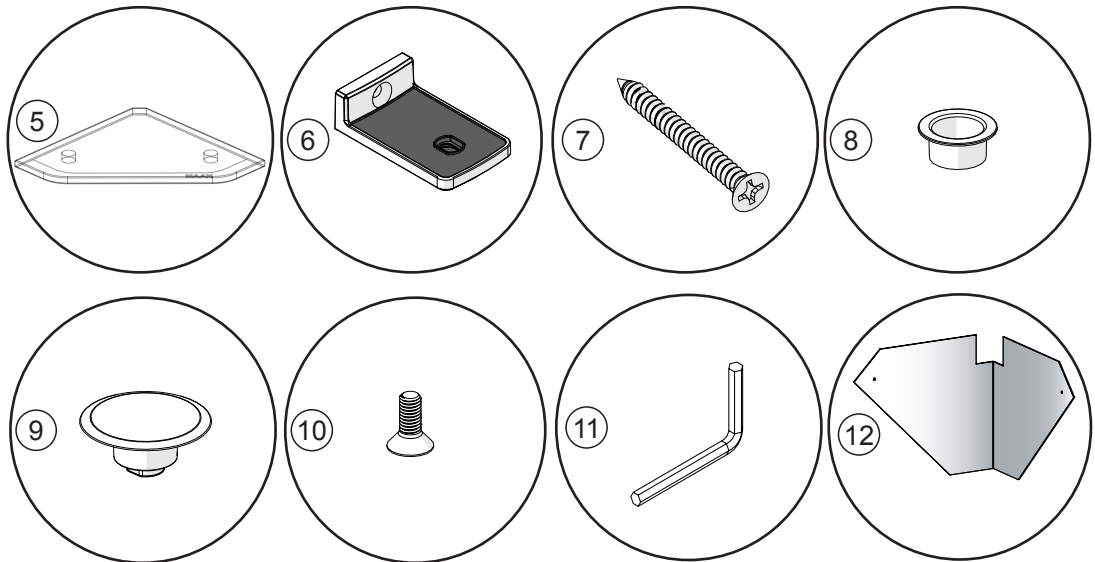


#	Part	Nom de la pièce	Pieza	Qty/Qté	Code
1	X fastener	Fixation en forme de X	Sujetador en forma de X	4	10060303
2	#8 x 1 1/4" Screw (for X fastener)	Vis #8 x 1 1/4" (Pour fixation en X)	Tornillos #8 x 1 1/4" (Para sujetador en X)	4	
3	Retraction pin	Cheville d'ancrage	Pasador de retracción	4	
4	#8 x 3/8" Screw (for retraction pin)	Vis #8 x 3/8" (pour cheville d'ancrage)	Tornillos #8 x 3/8" (para pasador de retracción)	4	

Inside the backwall box
À l'intérieur de la boîte
du mur arrière
En el interior de la caja
del muro posterior



PARTS INCLUDED IN SHELF PACK | PIÈCES COMPRISES DANS LA BOÎTE DE LA TABLETTE
| PIEZAS INCLUIDAS EN LA CAJA DE LA REPISA

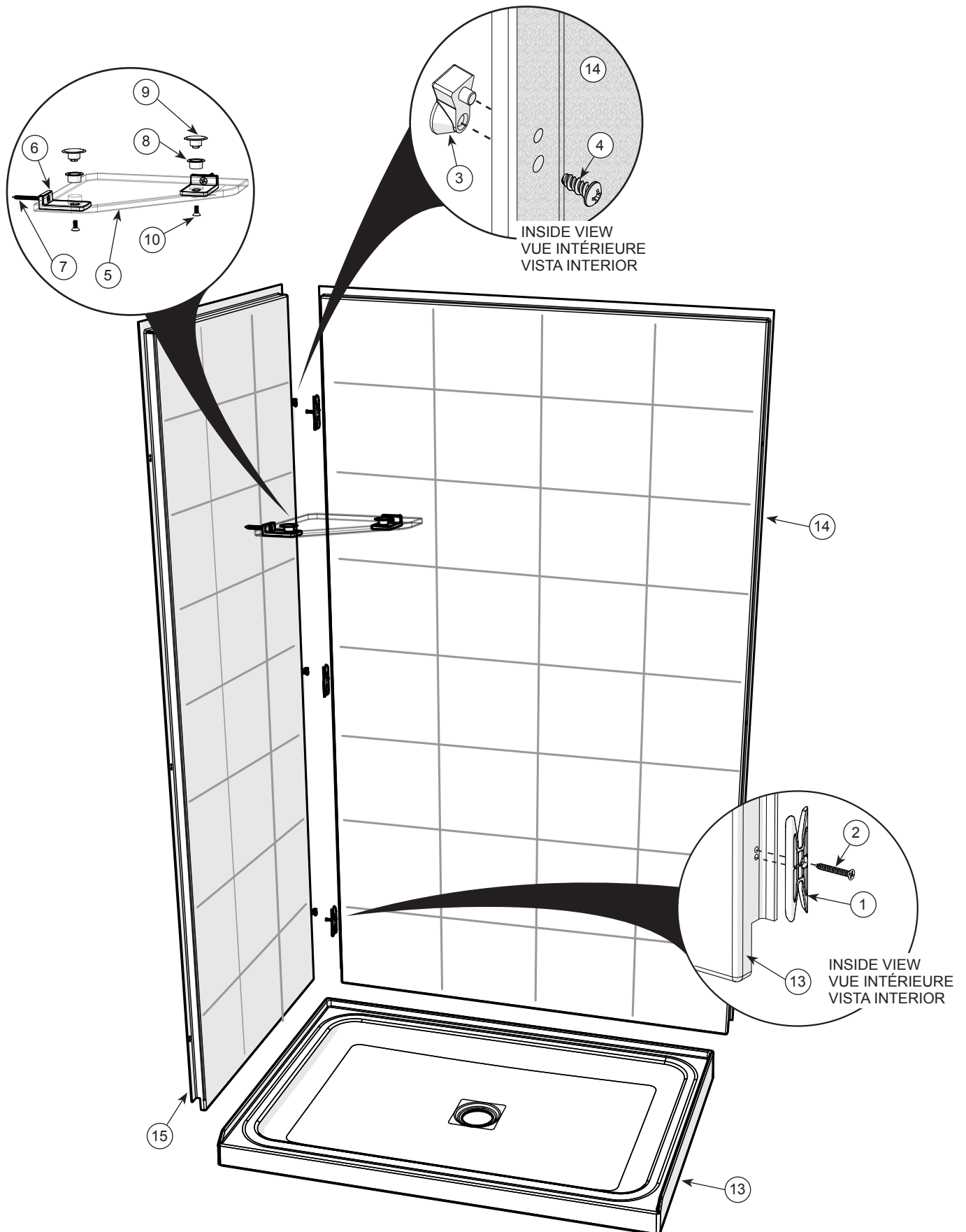


#	Part	Nom de la pièce	Pieza	Qty/Qté	Code
5	Glass shelf	Tablette en verre	Repisa	1	10060011
6	Bracket	Support	Soporte de repisa	2	
7	#10 x 2" screws	Vis #10 x 2"	Tornillos #10 x 1 1/2" (repisa)	2	
8	Plastic washer	Rondelle en plastique	Arandela en plástico para repisa	2	
9	Support cap	Capuchon	Tapa de la fijación de repisa	2	
10	#10 x 1/2" screws	Vis #10 x 1/2"	Tornillos #10 x 1/2" (para repisa)	2	
11	Allen key	Clé Allen	Llave allen	1	
12	Template	Gabarit	Plantilla de perforación	1	

COMPONENTS | COMPOSANTES | COMPONENTES

#	Part	Nom de la pièce	Pieza	Qt	Code
13	Base	Base	Base	1	*
13a	Drain cover (with Distinct base only)	Couvercle du drain lineaire (inclus avec la base Distinct seulement)	Cubierta del desagüe (incluido con la base Distinct únicamente)	1	10037090
14	Back wall	Mur arrière	Muro posterior	1	*
15	Side wall	Mur de côté	Muro lateral	1	*
16	Drain (included with Zone square and B3Square base only)	Drain (inclus avec la base Zone square et B3Square seulement)	Desagüe (incluido con la base Zone square y B3Square únicamente)	1	10028619

OVERVIEW | VUE D'ENSEMBLE | VISTA GENERAL



For a worry free installation follow all instructions and check them off as you go.



STEP 1 Building the structure

Before starting make sure to have all parts and components refer to page 4.

Build a structure based on the dimensions in the chart below.

IF STRUCTURE IS ALREADY BUILD CHECK THAT IT RESPECTS THE DIMENSIONS BELOW

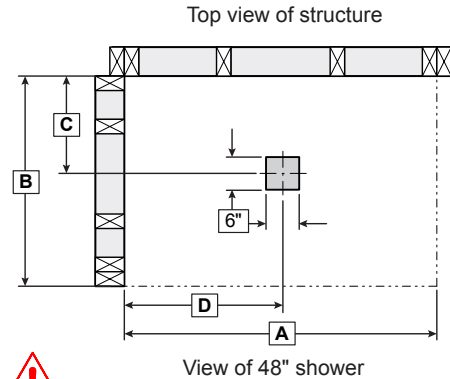
COMPATIBLE BASES	No.	A	B	C	D
Olympia square 4832	106011	Between 48"- 48 1/4"	33 1/2"	16"	24"
Olympia square 6032	106012	Between 60"- 60 1/4"		16"	8 1/2"
B3 Square 4832	420001-5XX	Between 48"- 48 1/4"	33 1/2"	16"	24"
B3 Round 4832	410001-5XX			18"	
B3 Square 4836	420003-5XX		37 1/2"		
B3 Round 4836	410003-5XX				
B3 Square 6032	420005-5XX	Between 60"- 60 1/4"	33 1/2"	16"	11 3/4"
B3 Round 6032	410005-5XX			18"	
B3 Square 6036	420006-5XX		37 1/2"		
B3 Round 6036	410006-5XX				
Distinct 4832	106350	48" - 48 1/4"	33 1/2"	4 1/2"	24"
Zone Square 4832	106351	48" - 48 1/4"	33 1/2"	16"	24"
Zone Square 6032	106352 - 106353	60" - 60 1/4"	33 1/2"	16"	11 3/4"

1.1 Check me!



FINAL VISUAL INSPECTION
 Note: Not doing so could void your warranty

After removing the protective film and prior to completing the installation, perform a visual inspection. If defects are visible, **INTERRUPT THE INSTALLATION** and communicate with our customer service: 1-877-438-6229

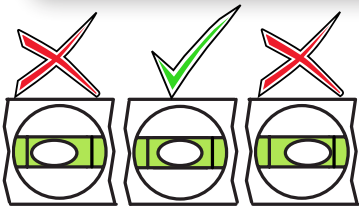


View of 48" shower

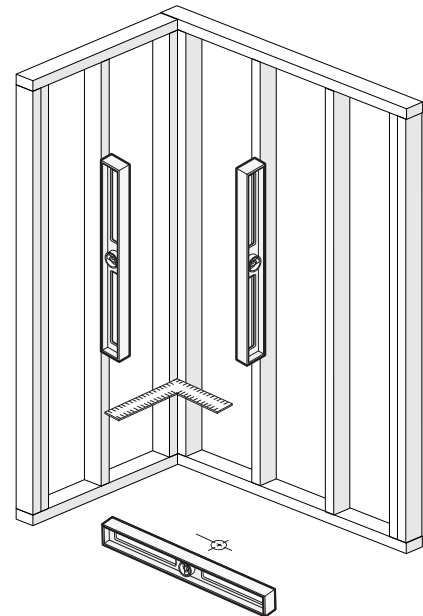
Respect front and inside corner studs position, others may vary.

Verify the walls are square, plumb and the flooring is perfectly level.

1.2 Check me!

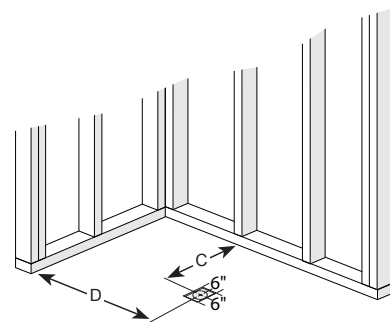


Leveling the floor is critical for a properly aligned installation. Auto leveling cement can be used to level floor. Be careful not to block the drain hole position.



Cut out an approximate 6" x 6" opening around the drain center outlined by measurements C and D. See image to the right and the chart above. We recommend that a plumber completes the drain pipe connection.

1.3 Check me!



STEP 2

Installing the base B3 / Olympia / Zone Square / Distinct

 Remove the clear plastic film from around the drain hole and threshold before applying silicone. Keep the film on the base floor as protection until installation is complete.

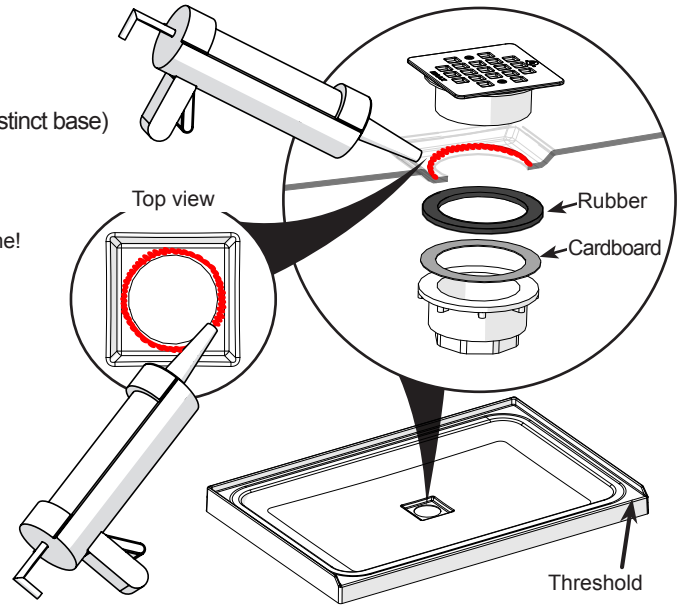
Drain assembly (included with Zone square and B3Square, required for the Distinct base)

Apply silicone around the edge of the drain hole in the base (surface between the top part of the drain and the base). Assemble as shown.
HAND TIGHTEN ONLY !

VERIFY THE MAAX LOGO ON THE DRAIN COVER IS FACING THE RIGHT WAY

REMOVE SILICONE EXCESS!

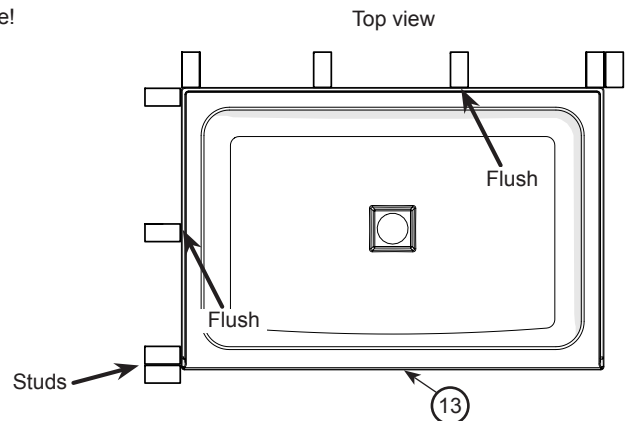
2.1
Check me!



Drain position varies according to base model

Install the base (13) pushing it completely against the studs.

2.2
Check me!



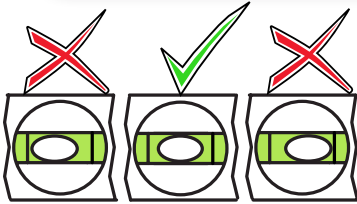
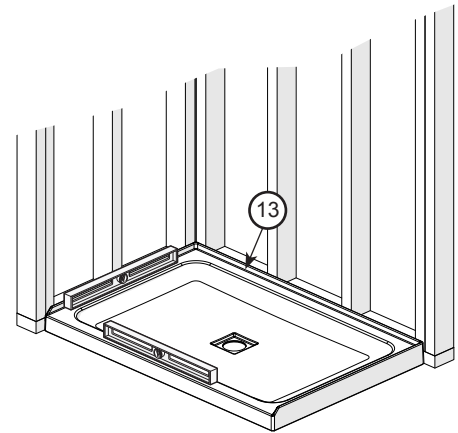
STEP 2

Installing the base (cont'd) Olympia

COMPATIBLE BASES	No.
Olympia square 4832	106011
Olympia square 6032	106012

Verify that the base is completely level on all sides. Confirm that the drain pipe is centered in the drain head.
We recommend a plumber to complete the drain pipe connection.

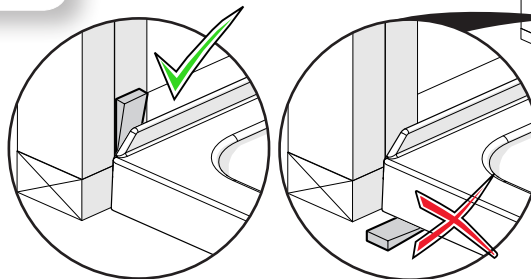
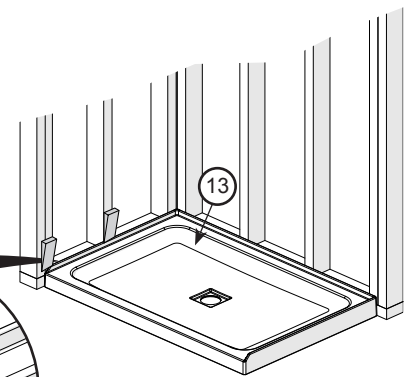
2.3
Check me!



If needed use wooden shims between the studs and the fastening flange to maintain the position of the base.

**FOR OLYMPIA BASES DO NOT USE SHIMS UNDER THE BASE TO LEVEL!
DOING SO WILL VOID THE MAAX WARRANTY!**

2.4
Check me!



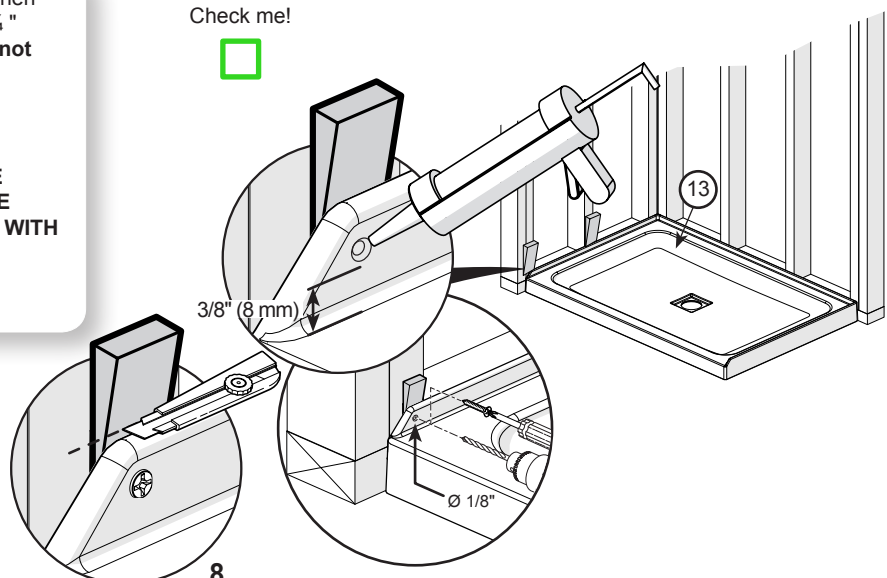
With a 1/8" bit, drill holes in the fastening flange then secure the base to all the wall studs with #8 x 1 1/4" screws (not included). **Only pre-drill the flange not the studs.**

HAND TIGHTEN ONLY !

THE BOTTOM OF ALL HOLES IN THE FLANGE HAVE TO BE AT LEAST 8MM (3/8") ABOVE THE BASE THRESHOLD! HOLES MUST BE FILLED WITH SILICONE BEFORE SCREWING

CUT THE EXCESS PART OF SHIMS

2.5
Check me!



STEP 2

Installing the base (cont'd)

B3

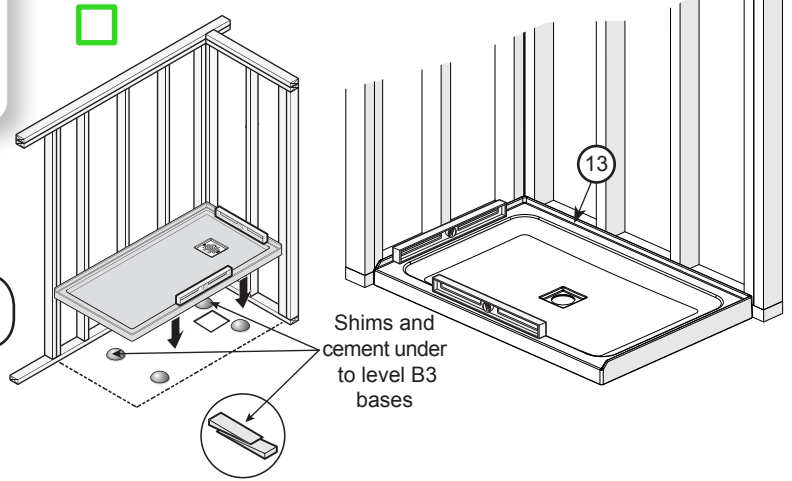
COMPATIBLE BASES	No.
B3 Square 4832	420001-5XX
B3 Round 4832	410001-5XX
B3 Square 4836	420003-5XX
B3 Round 4836	410003-5XX
B3 Square 6032	410005-5XX
B3 Round 6032	410005-5XX
B3 Square 6036	410006-5XX
B3 Round 6036	410006-5XX

Lift the base. Place cement or wood shims under all legs to support the shower base floor. Lower the shower base and validate leveling and stability of the base on the floor. If needed, use additional wood shims or cement.

We recommend that a plumber completes the drain pipe connection.



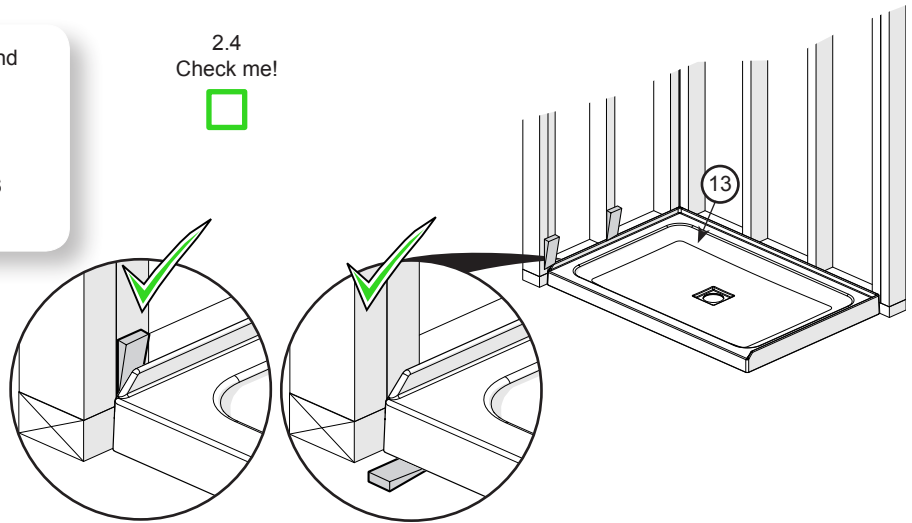
2.3
Check me!



If needed use wooden shims between the studs and the fastening flange to maintain the position of the base.

FOR B3 BASES YOU MAY USE SHIMS UNDER THE BASE TO LEVEL (UNDER THE BASE LEGS IDEALLY)

2.4
Check me!



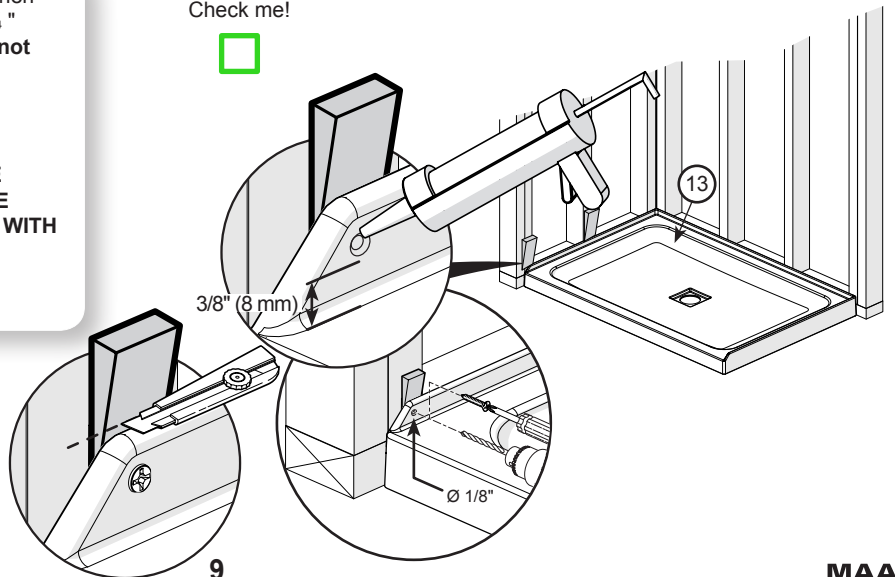
With a 1/8" bit, drill holes in the fastening flange then secure the base to all the wall studs with #8 x 1 1/4" screws (not included). **Only pre-drill the flange not the studs.**

HAND TIGHTEN ONLY !

THE BOTTOM OF ALL HOLES IN THE FLANGE HAVE TO BE AT LEAST 8MM (3/8") ABOVE THE BASE THRESHOLD! HOLES MUST BE FILLED WITH SILICONE BEFORE SCREWING

CUT THE EXCESS PART OF SHIMS

2.5
Check me!



STEP 2

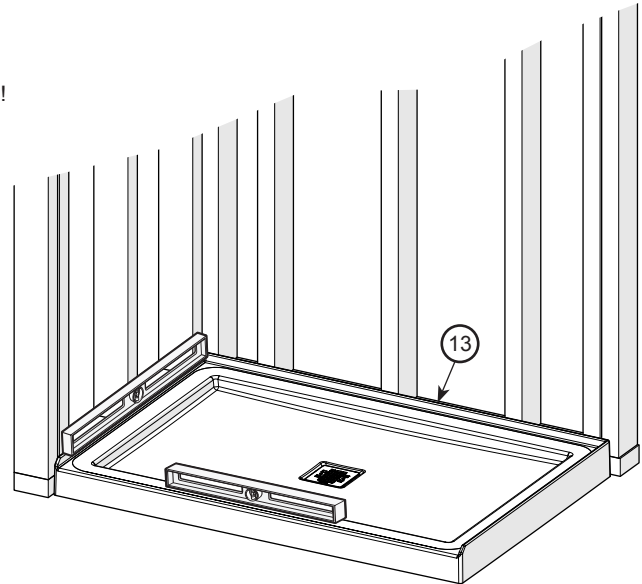
Installing the base (cont'd) Distinct / Zone Square

COMPATIBLE BASES	No.
Distinct 4832	106350
Zone square 4832	106351
Zone square 6032	106352 - 106353

Verify the base leveling. Mark the studs and the floor where shims will be required to perfectly level the base.
If the base is completely leveled go to step 2.5

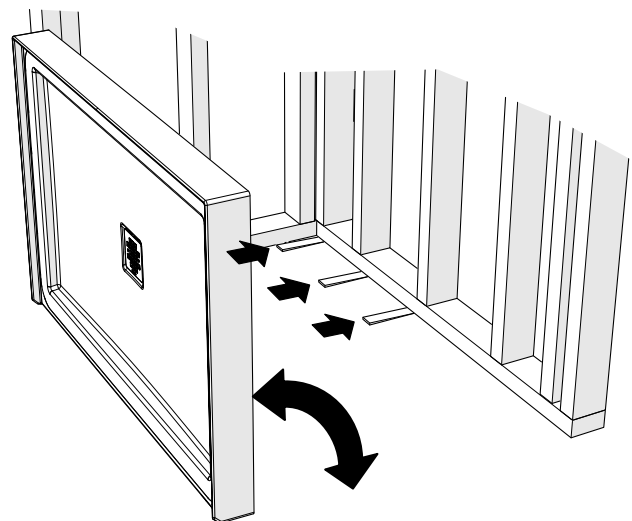


2.3
Check me!



Lift the base. Insert wood shims on the floor around the outline of the base on the previously marked spots to compensate leveling.
Lower the base and validate leveling and the stability of the base on the floor. If needed, use additional shims.

2.4
Check me!



STEP 2

Installing the base (cont'd)

Distinct / Zone Square

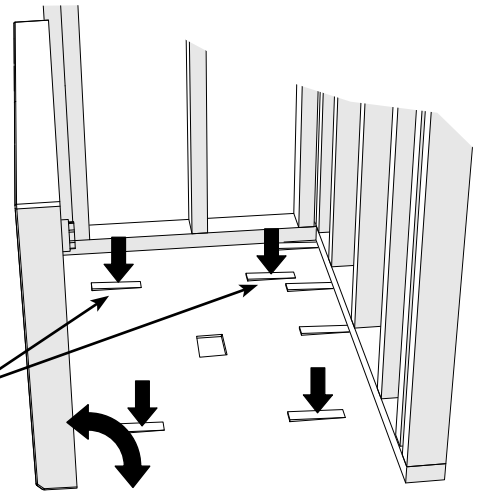
Lift the base. Place cement or wood shims under all legs to support the shower base floor. Lower the shower base and validate leveling and stability of the base on the floor. If needed, use additional wood shims or cement.

We recommend that a plumber completes the drain pipe connection.

2.5
Check me!

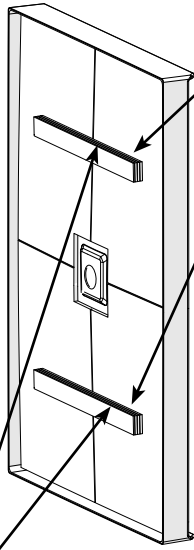
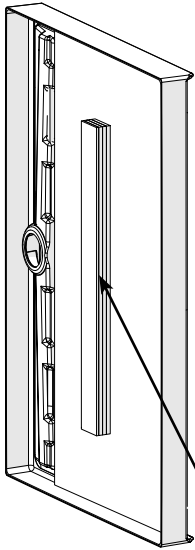


Check the position of the legs under the base to position the shims if they are necessary

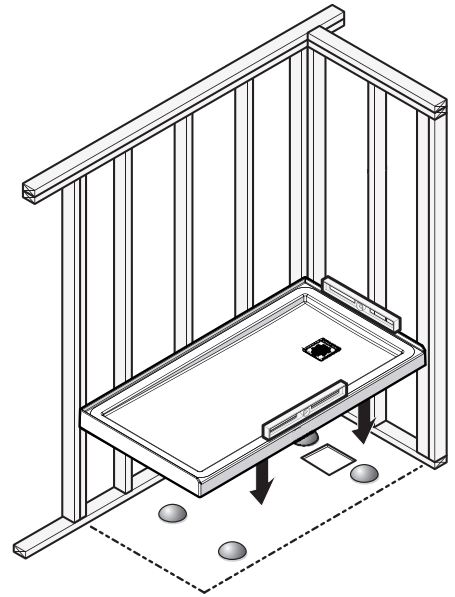


Distinct

Zone Square

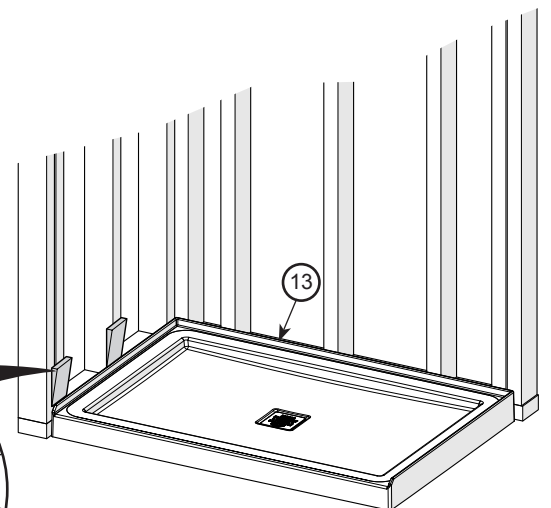
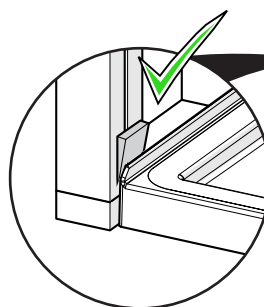


Legs



If needed use wood shims between the studs and the fastening flange to maintain the position of the base.

2.6
Check me!



STEP 2

Installing the base (cont'd)

Distinct / Zone Square

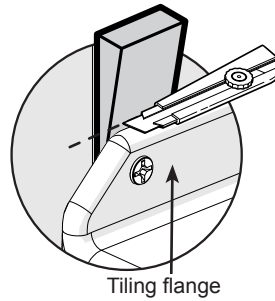
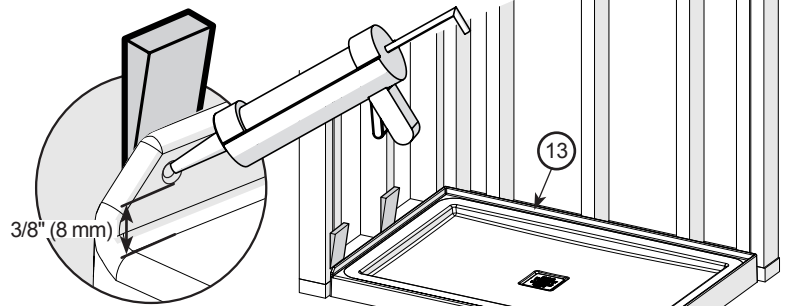
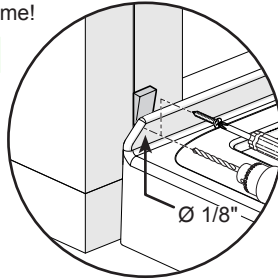
With a 1/8" drill bit, drill holes in the base flange then secure the base to all the wall studs with #8 x 1 3/4" flat-head screws (not included). **Pre-drill the flange only and not the studs.**

HAND TIGHTEN ONLY!

THE BOTTOM OF ALL HOLES IN THE FLANGE MUST BE AT LEAST 8MM (3/8") ABOVE THE BASE THRESHOLD! HOLES MUST BE FILLED WITH SILICONE BEFORE SCREWING

CUT THE EXCESS PART OF SHIMS

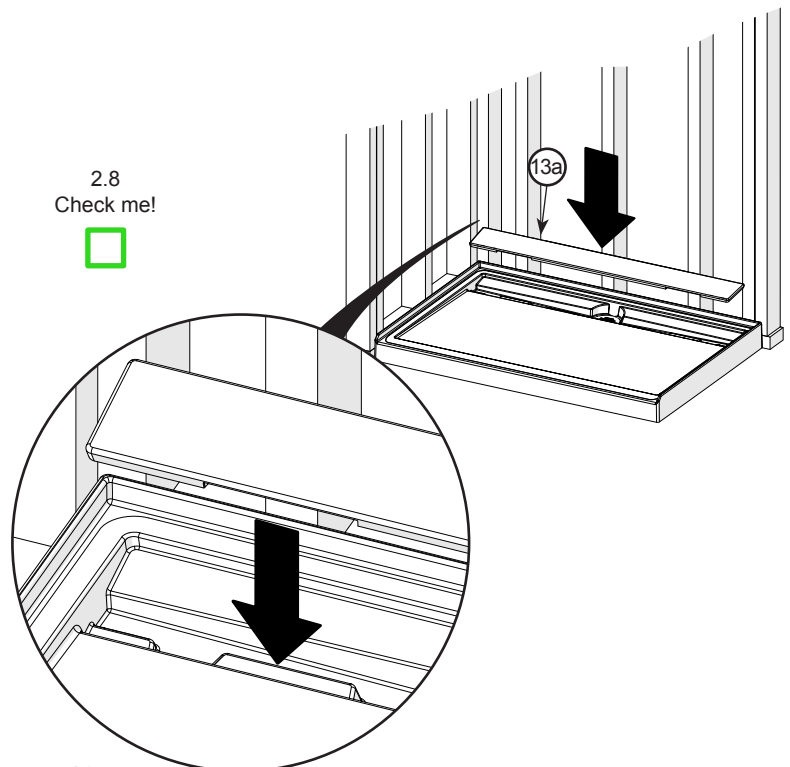
2.7
Check me!




Distinct 48 drain cover installation

Insert the drain cover (13a) as shown.


2.8
Check me!

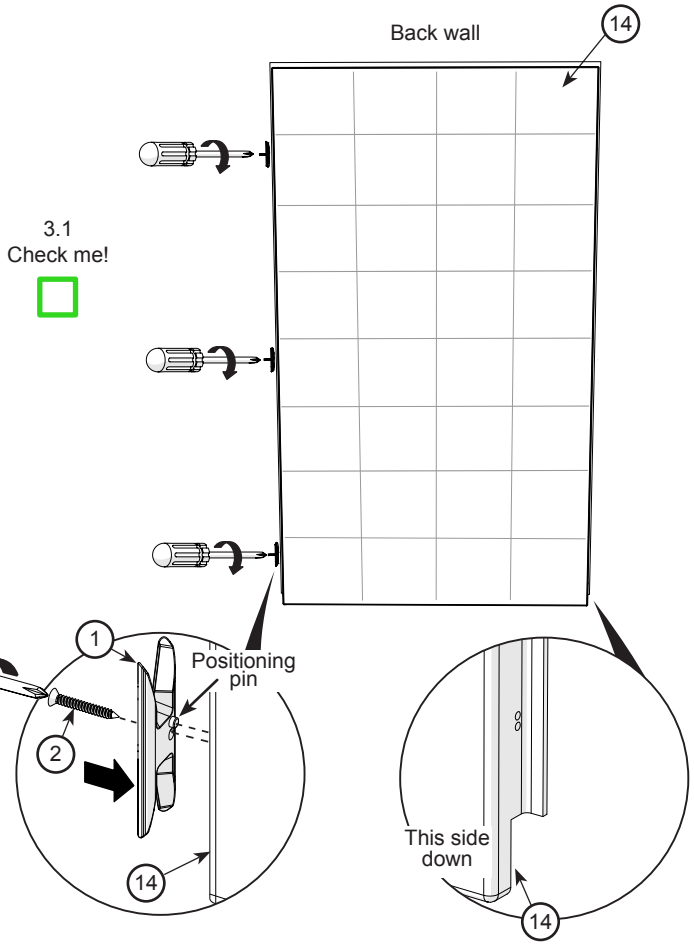


STEP 3 Installing Ulok system on the walls


 The Ulok system parts are in the side wall boxes. (1 pack per box)

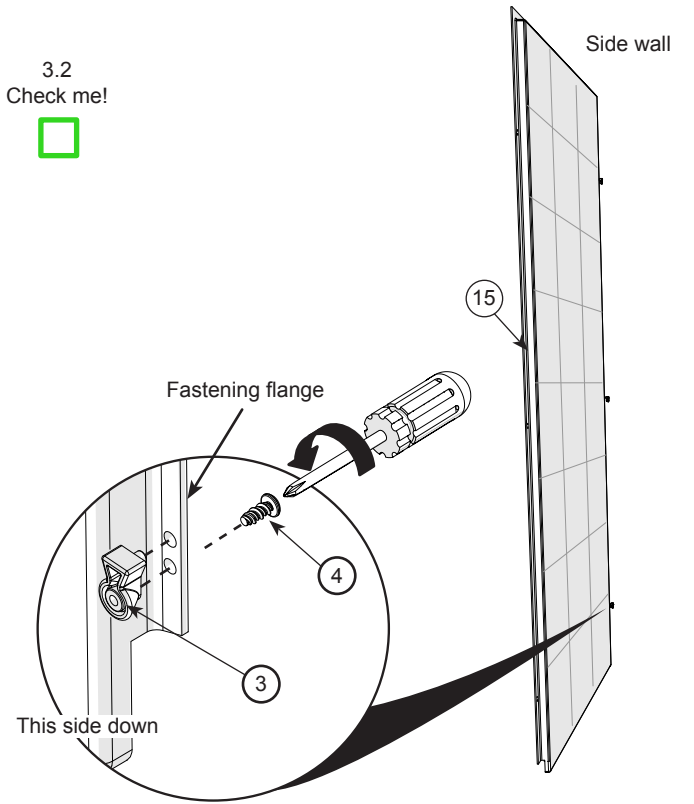
Install three X fasteners (1) on the side of the back wall (14) that will be assembled with the side wall, in the pre drilled holes using the screws provided (2).

Quick tip  There is a positioning pin on X fastener so they can only be installed one way.



Fasten 3 retraction pins per side wall in the pre drilled holes with the screws provided (4) to the left-hand or right-hand fastening flange of the side walls (15) depending on which side the wall will be installed on.

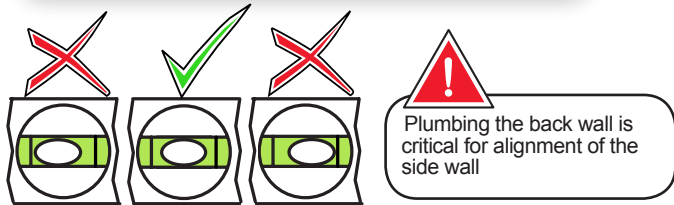
Quick tip  The side wall is interchangeable. For wall to the left, install the pins on the right side, for wall to the right install the pins on the left side.



STEP 4 Temporary installation of the back wall

Pull back the protective film on the walls (14-15) at least 3" away from **all edges**. Keep the remaining protective film on the walls and base.

Position and level the back wall (14) by sitting it on the threshold at the back of the base.

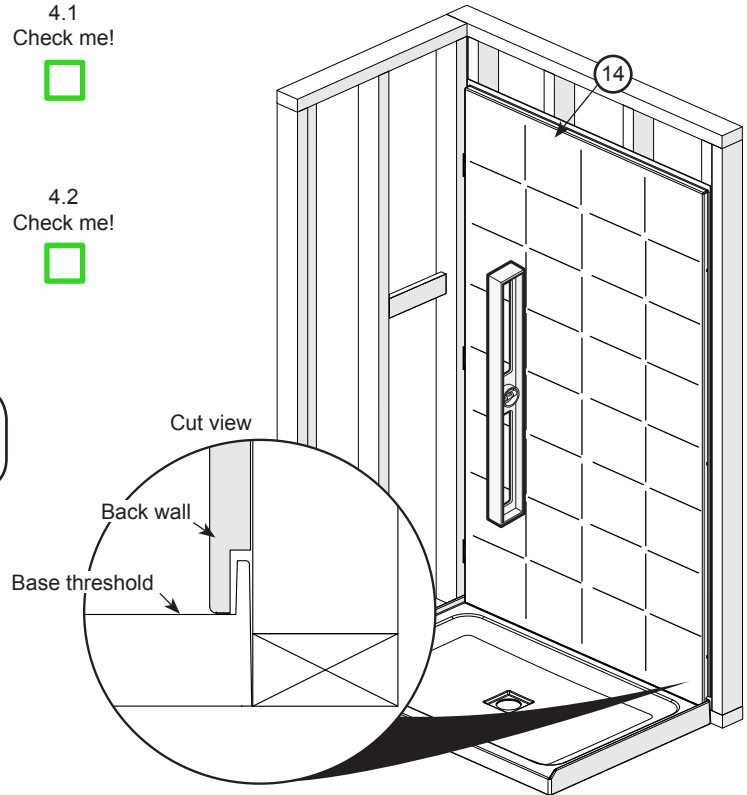


Quick tip Installing the walls temporarily will ensure proper wall alignment before permanent installation. Make sure the wall is plumb and centered on the base.

4.1
Check me!



4.2
Check me!

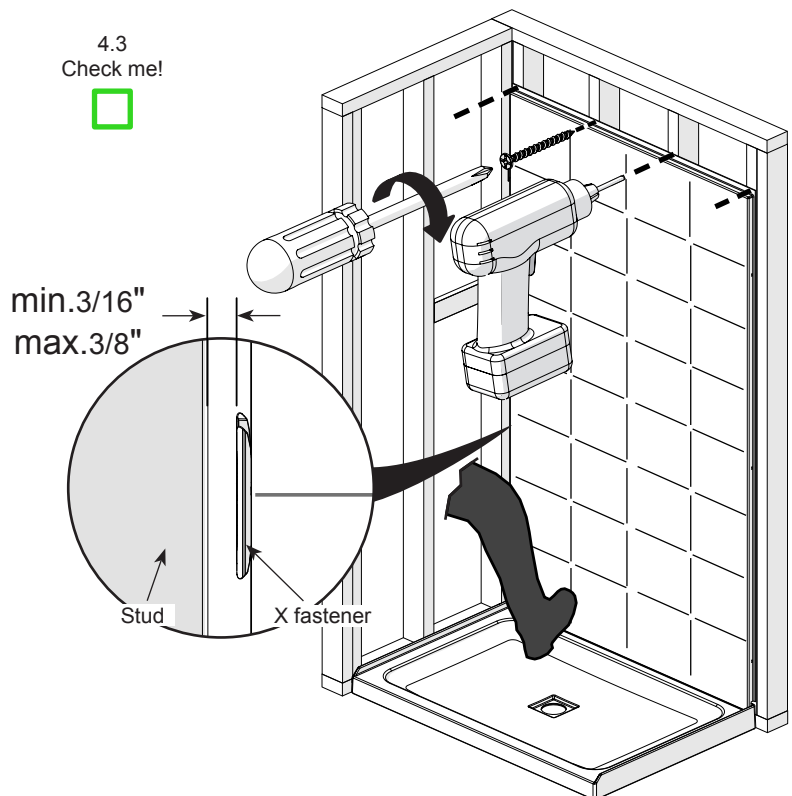


With a 1/8" bit, drill holes in the back wall fastening flange (14) at the top aligned with each stud. **Only pre-drill the flange not the studs.** Then, secure the back wall (14) with **one #8 x 1 1/4" screw** (not included) in one of the pre-drilled holes.

IMPORTANT: HAND TIGHTEN ONLY. TEMPORARY INSTALLATION.

Quick tip Push the bottom of the back wall with your foot when fastening in place.

4.3
Check me!

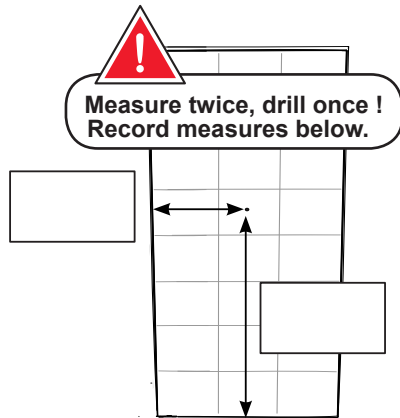


STEP 5 Temporary installation of the side wall

Measure the distance between the front face of the back wall (14) and the center of the faucet. Then measure the distance from the top of the base threshold to the center of the faucet.

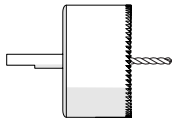
Using those two measurements mark the position of the faucet hole on the remaining side wall. Measure from the side and bottom of the side wall.

Repeat this process for all required faucet holes.

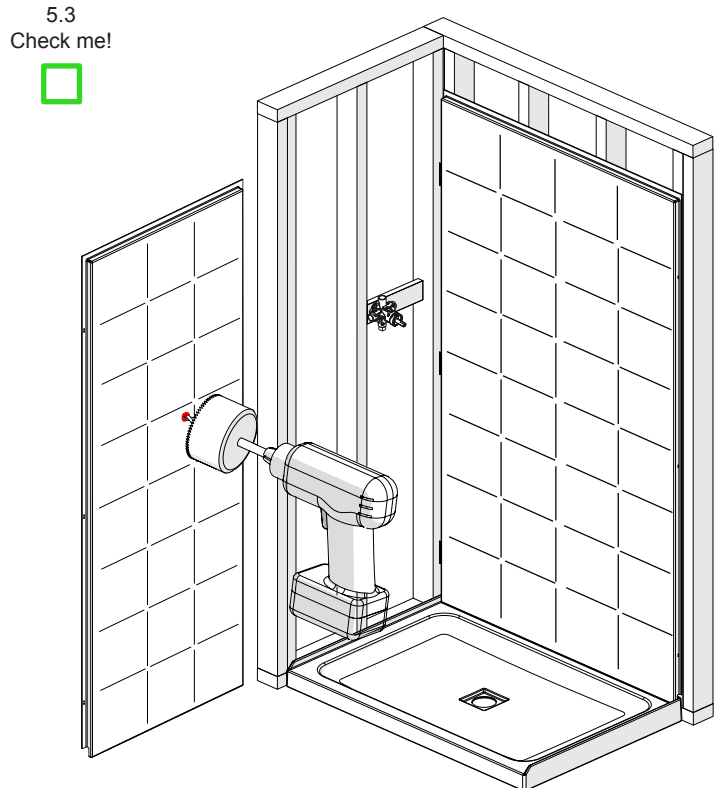
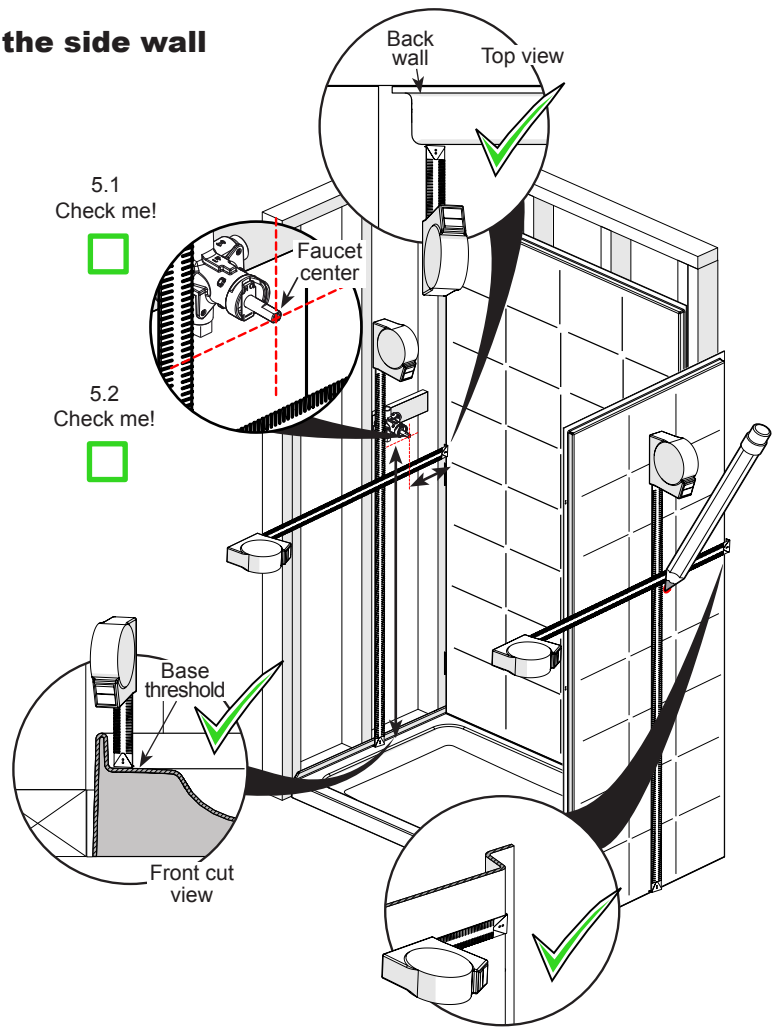


Drill a hole from front for the faucets at the previously marked positions. Pre-drill the hole with the 1/8" drill bit. The hole saw size is determined by the faucet type; refer to the faucet installation manual for hole saw size.

Quick tip Hole saws can be rented at your local hardware store or any tool rental location.



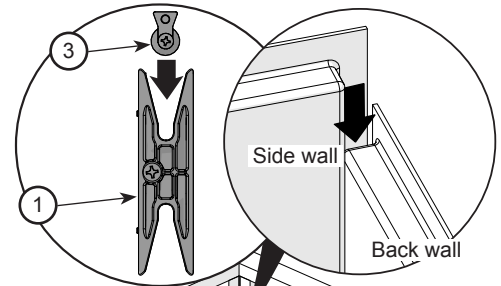
For safe hole saw usage always pre-drill a hole and wear safety glasses when drilling.



STEP 5 Temporary installation of the side walls (Cont'd)

Install the side wall (15). Lift the wall approximately 3" above the threshold of the base, push it completely against the back wall then lower the side wall into position.

5.4
Check me!



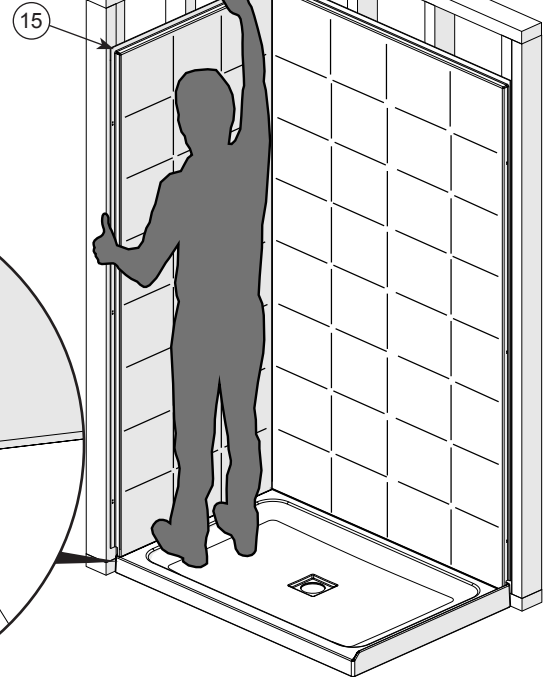
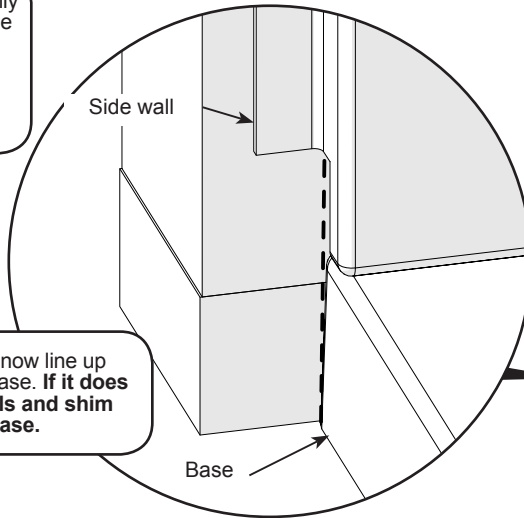
It is critical that all 3 retraction pins engage with the X fasteners. There should be no gap between the walls.

Quick tip

Place a level vertically on the side wall. If the wall is not straight, make sure that the retraction pins are properly inserted in the X fasteners.

Quick tip

The side wall should now line up with the front of the base. **If it does not, remove the walls and shim the back flange of base.**

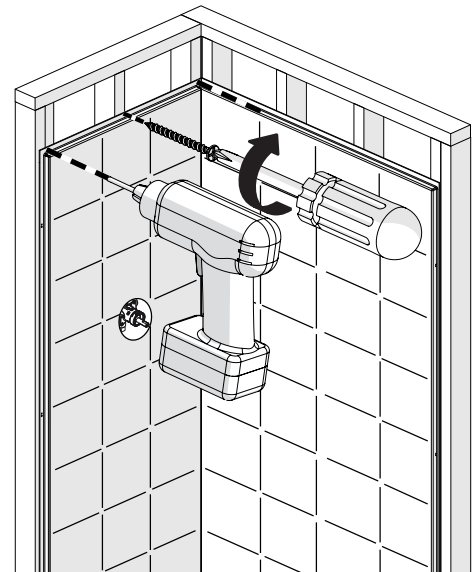


5.5
Check me!



With a 1/8" bit, drill holes in the side wall fastening flange (15) at the top aligned with each stud. **Only pre-drill the flange not the studs.** Then, secure the side wall (15) with **one** #8 x 1 1/4" screw (not included) in one of the pre-drilled holes.

IMPORTANT: HAND TIGHTEN ONLY. TEMPORARY INSTALLATION.



STEP 6 Final installation of back wall

Remove all walls from the structure.

Clean the shower base and apply a bead of silicone on the threshold at 3/8" from the back fastening flange. Run the bead of silicone the entire length of the base and 1" on the side wall will be installed on as well.

Lift and place back wall (14) directly over the silicone without sliding. Verify that the back wall (14) is plumb, shim if needed. Then, secure the back wall to the wall studs at top with #8 x 1 1/4" screws (not included) in the previously drilled holes.

IMPORTANT: HAND TIGHTEN ONLY. DO NOT OVER-TIGHTEN THE SCREWS.



It is critical for the side wall installation for there to be at least 1/8" and no more than 3/8" between the stud and the X fastener.

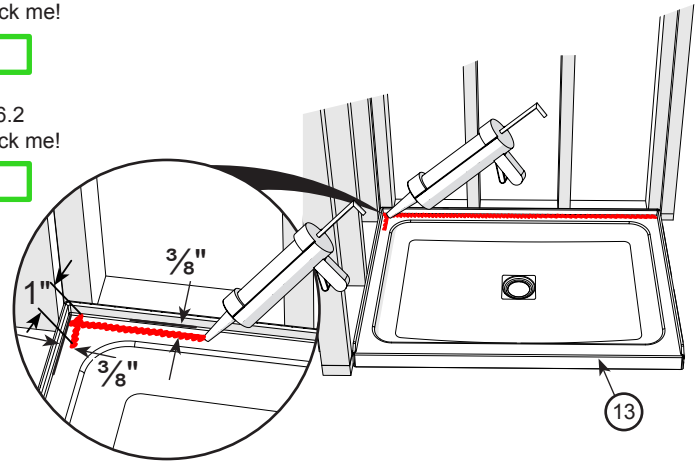
Quick tip 

Hold the bottom of the back wall with your foot when fastening in place.

6.1
Check me!



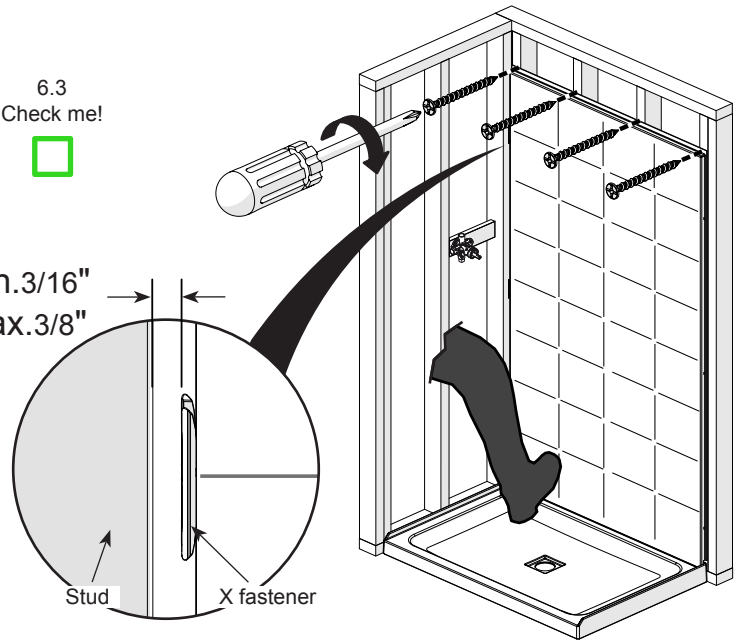
6.2
Check me!



6.3
Check me!



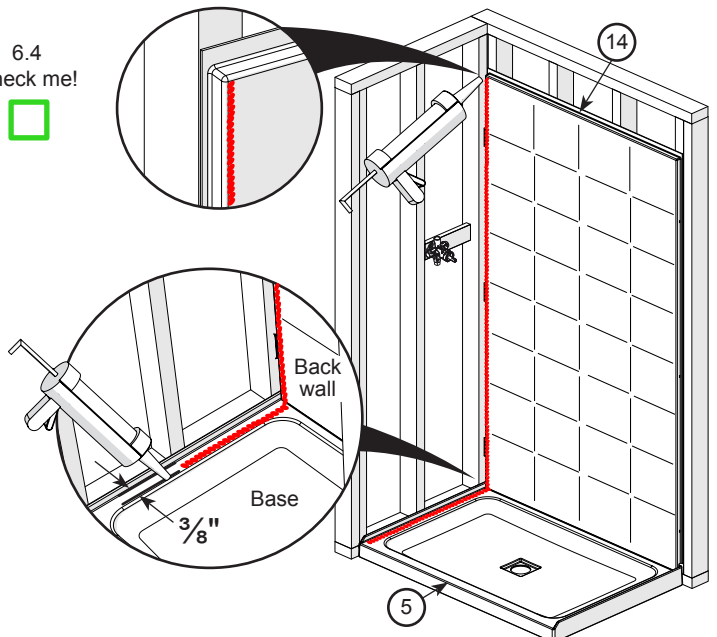
min. 3/16"
max. 3/8"



6.4
Check me!



Apply a bead of silicone on both sides of base (13) threshold at 3/8" from the base side fastening flanges. Apply silicone on both side of the back wall (14) just before the wall side radius. **The silicone applied on the base and vertically on the back wall must overlap.**

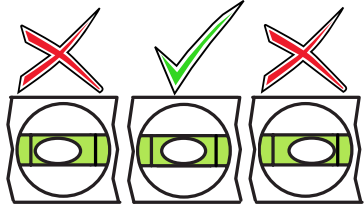
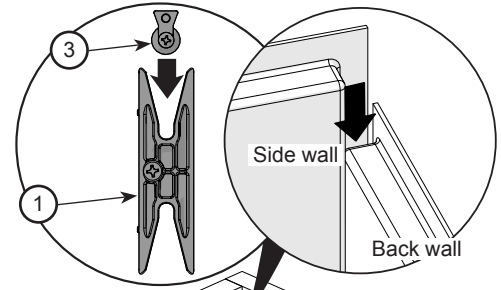


STEP 7 Final installation of side wall

Install the side wall (15). Lift the wall approximately 3 inches above the threshold of the base, push it completely against the back wall then slide the side wall into position.

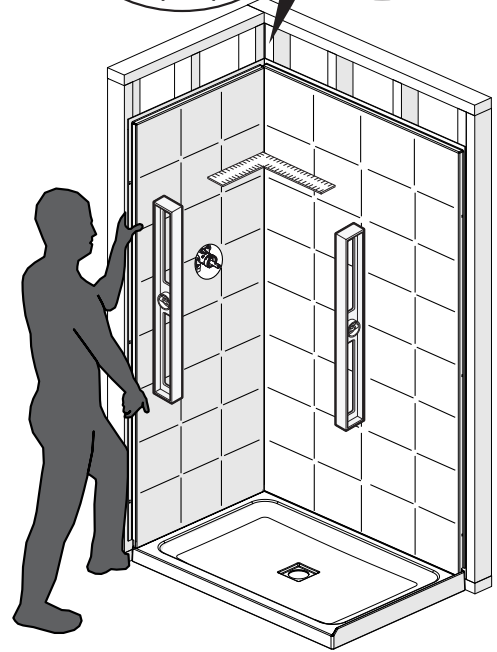
WIPE OFF EXCESS SILICONE

7.1
Check me!



BEFORE CONTINUING, VALIDATE THAT ALL THE WALLS ARE LEVEL, PLUMB AND SQUARE

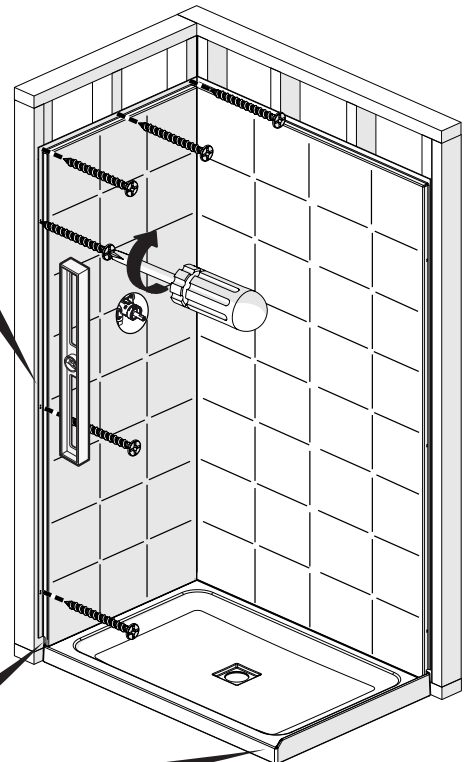
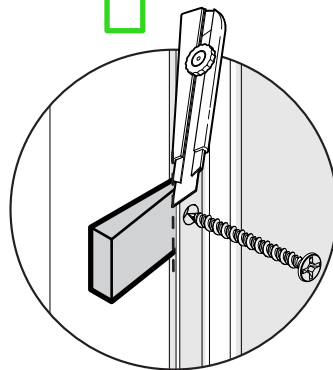
7.2
Check me!



Secure the wall to the wall studs with #8 x 1 1/4 " screws (not included) in the previously drilled holes. Also, secure the wall by the fastening flanges on the side of the wall. Use the pre-dilled holes. **If needed, use shims to keep wall plumb, square and leveled. (Cut shim excess)**

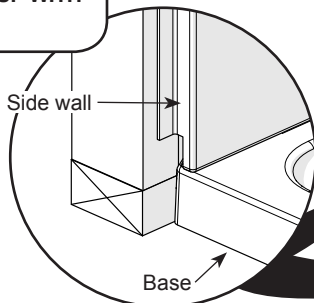
IMPORTANT: HAND TIGHTEN ONLY. DO NOT OVER-TIGHTEN THE SCREWS.

7.3
Check me!



Quick tip

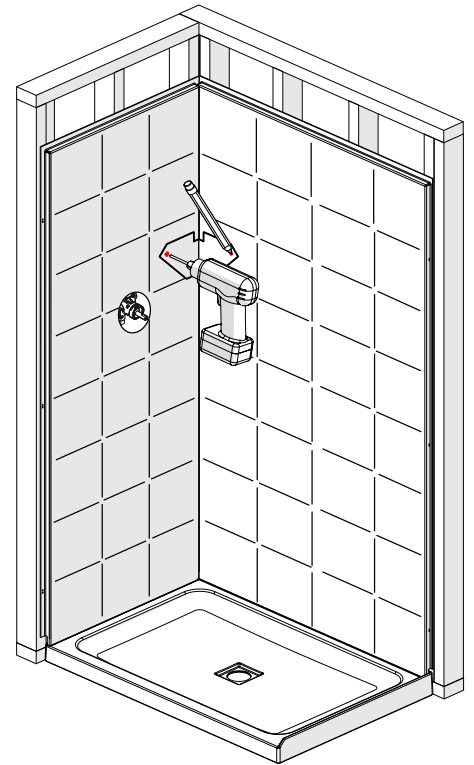
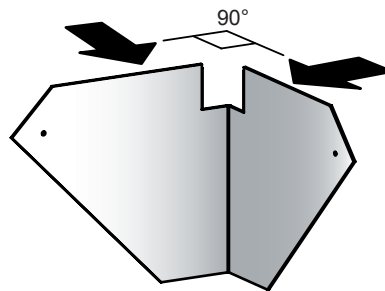
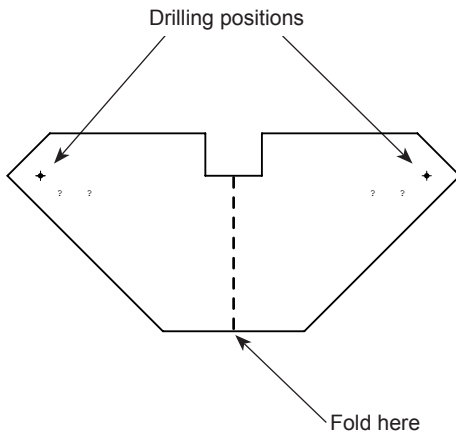
THE SIDE WALL SHOULD LINE UP WITH THE BASE



STEP 8 Marking and drilling the glass shelf holes

Place the template in the corner of the shower where you want to install your shelf.
Slide the template up until the points on the left and right-hand side of the template are at the height you want your shelf.
Use a pencil, marker or wax pencil to mark the spots where the holes for the shelf will be drilled.
Drill the holes using a 9/64" drill bit.

Check me!



STEP 9 Silicone

 Remove protective film from walls

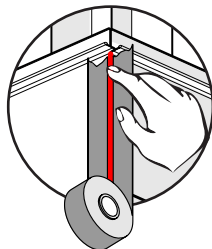
Apply a bead of silicone all along the wall to wall and wall to base joints. For a smooth finish you can remove the silicone excess with a damp rag or wet finger.

Check me!

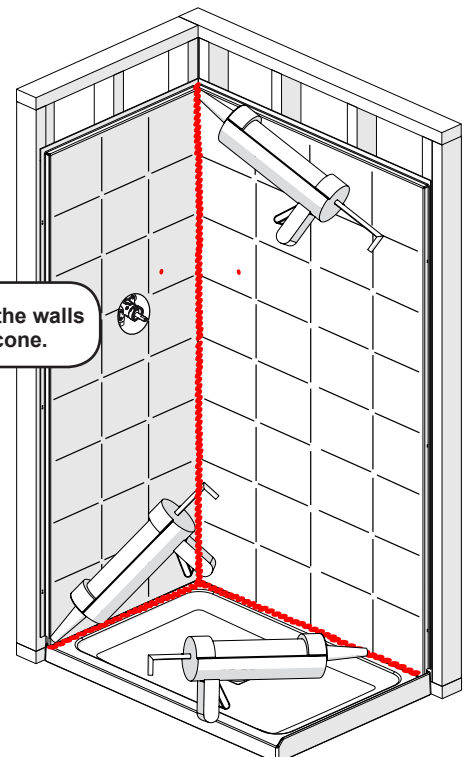


Quick tip 

Apply masking tape on both sides of the joint where you will run a bead of silicone. Apply the silicone, smooth with a wet finger then remove the masking tape.

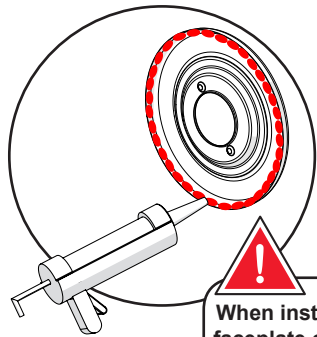


All faucets installed on the walls must be sealed with silicone.



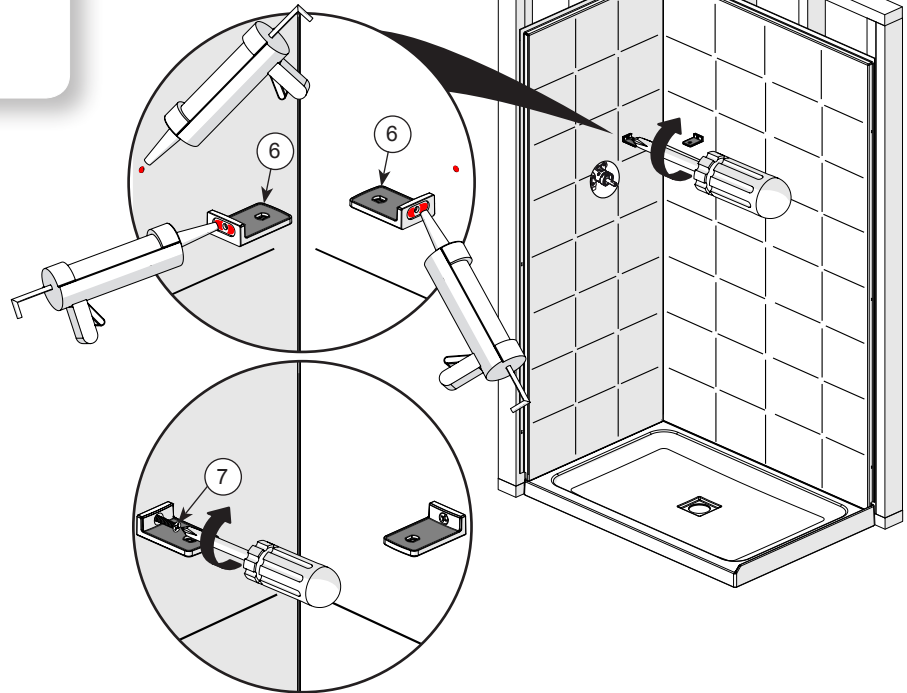
STEP 10 Glass shelf installation

Apply silicone in the previously drilled holes on the side and back walls. Apply silicone to the rear of the shelf brackets (6). Fasten the brackets in place using the screws (7).



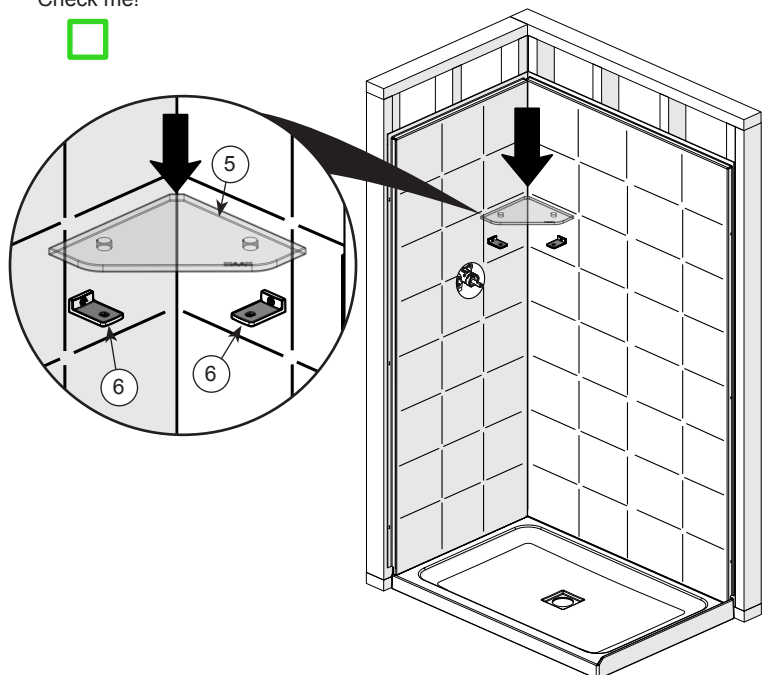
When installing the faucet faceplate or any other component, be sure to silicone the outer edge.

10.1
Check me!



Clean the top rubber part of the brackets with a damp cloth, then place the glass shelf (5) over the brackets (6).

10.2
Check me!



Quick tip

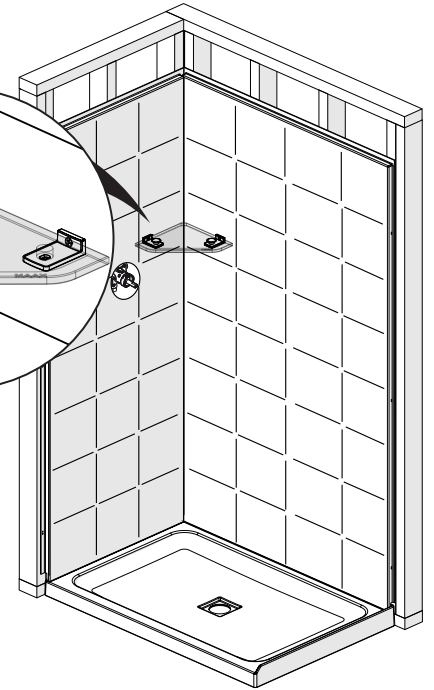
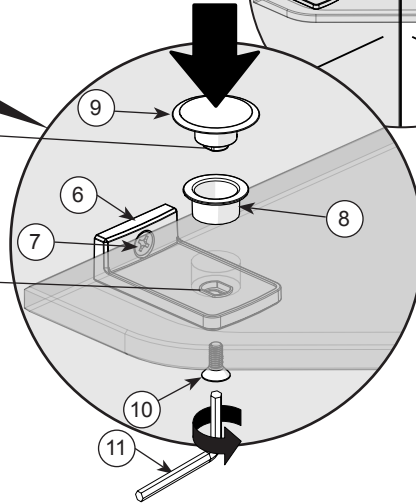
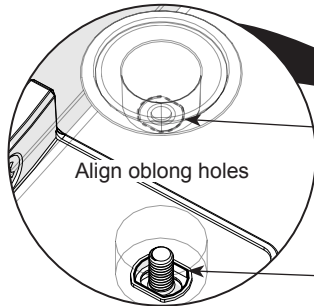


If you can read the MAAX logo, the shelf is installed on the right side.

STEP 10 Glass shelf installation (cont'd)

Insert the washers (8) in the shelf support cap (9). Align and insert the shelf support caps (9) with the holes of the glass and the holes of the shelf brackets (6). Screw from the bottom of the shelf with the # 10 x 1/2" screws (10) and tighten by hand with the Allen key (11).

10.3
Check me!

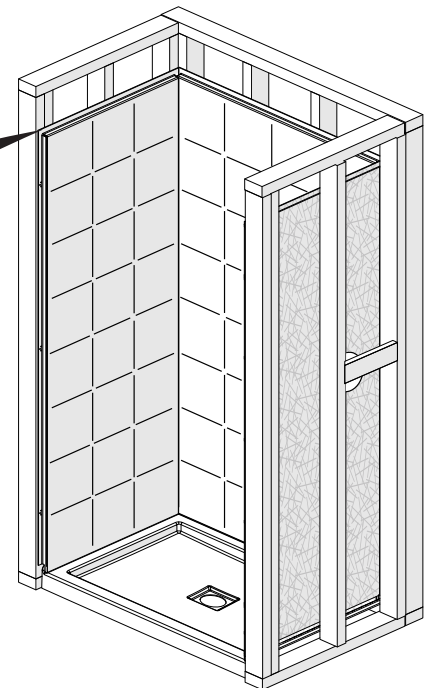
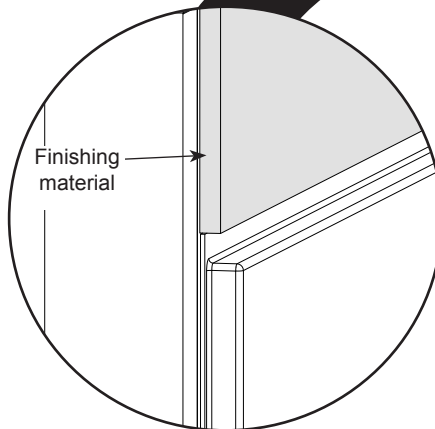
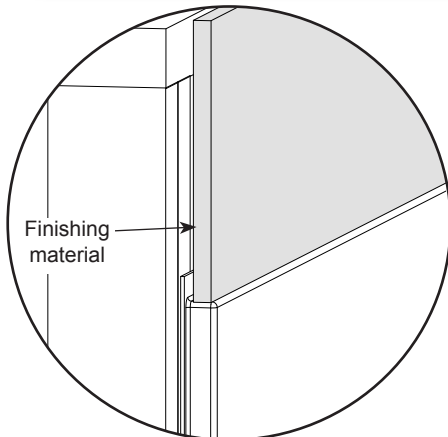


Do not overtight the support cap (9)

STEP 11 Wall finish

For the wall finish you can install your finishing material on top of the flange or on the wall edge as shown.

Check me!



Maintenance Tips

MAAX uses **durable, high quality materials and innovative technology** in manufacturing and design of its products to reduce the time needed to spend cleaning and caring for them. However, proper and regular maintenance is still vital.

Follow these general use and maintenance tips, as well as any that come with the MAAX products and you will be rewarded with years of great service.



Utile shower walls / bathtubs / shower bases / shower doors maintenance

- ☒ **Clean regularly** with a non-abrasive cleaning spray or cream-based cleansing agent.
- ☒ **Never use tile or grout cleaner** as they are not adequate for Utile products and could damage the unit.
- ☒ **Never use abrasive cleansers, scrapers, metal brushes** or anything that could scratch or dull the surface of your MAAX unit.
- ☒ In order to avoid damaging the finish of the unit when renovating, **remove plaster residues** from surfaces with a plastic or wooden spatula wrapped in a moist cloth.
- ☒ **Wipe down your shower door after every use** with a squeegee or soft cloth. This reduces the buildup from soap, bath additives, natural body oils and mineral deposits in water, making cleaning easy and helping to maintain the unit's natural luster.
- ☒ **Repair nicked or damaged surfaces** immediately using MAAX repair kits for Utile products. For more information call customer services at **1-877-GET-MAAX (1-877-438-6229)**.



Pour une installation sans tracas suivre les étapes une à une et les cocher lorsqu'elles sont terminées.



ÉTAPE 1 Construction de la structure

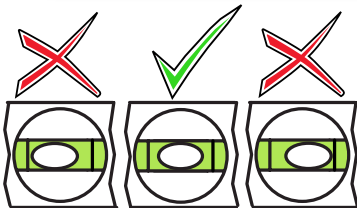
Avant de commencer assurez-vous d'avoir tout les pièces et composants se référer à la page 4.

Construire une structure qui respecte les dimensions mentionnées dans le tableau.

SI LA STRUCTURE EST EXISTANTE, S'ASSURER QUE SES DIMENSIONS CORRESPONDENT À CELLES DU TABLEAU.

BASES COMPATIBLES	No.	A	B	C	D
Olympia square 4832	106011	Entre 48"- 48 1/4"	33 1/2"	16"	24"
Olympia square 6032	106012	Entre 60"- 60 1/4"		16"	8 1/2"
B3 Square 4832	420001-5XX	Entre 48"- 48 1/4"	33 1/2"	16"	24"
B3 Round 4832	410001-5XX		37 1/2"	18"	
B3 Square 4836	420003-5XX				33 1/2"
B3 Round 4836	410003-5XX		37 1/2"	18"	
B3 Square 6032	420005-5XX	Entre 60"- 60 1/4"			33 1/2"
B3 Round 6032	410005-5XX		37 1/2"	18"	
B3 Square 6036	420006-5XX				33 1/2"
B3 Round 6036	410006-5XX		37 1/2"	18"	
Distinct 4832	106350	48" - 48 1/4"			33 1/2"
Zone Square 4832	106351	48" - 48 1/4"	33 1/2"	16"	24"
Zone Square 6032	106352 - 106353	60" - 60 1/4"	33 1/2"	16"	11 3/4"

Vérifier que les murs soient à l'équerre et verticaux et que le sol est de niveau.

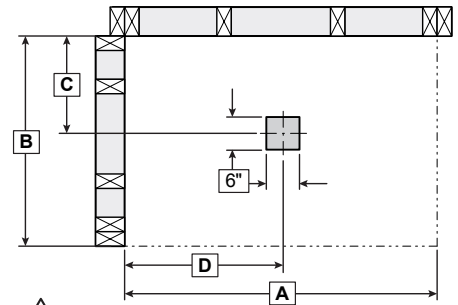


Il est important de mettre le plancher de niveau pour assurer un bon alignement de l'installation. Du ciment autonivelant peut être utilisé pour mettre le plancher de niveau. Veillez à ne pas bloquer la position du trou de drain.

1.1 Cochez-moi!



Vue de dessus de la structure

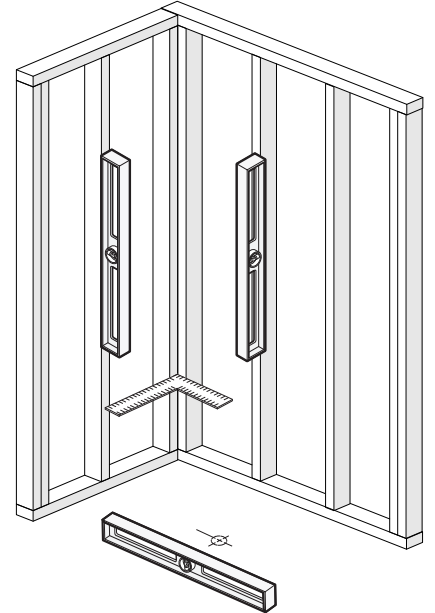


Douche 48" représentée



Respecter la position des montants avant et des coins intérieures, les autres peuvent varier.

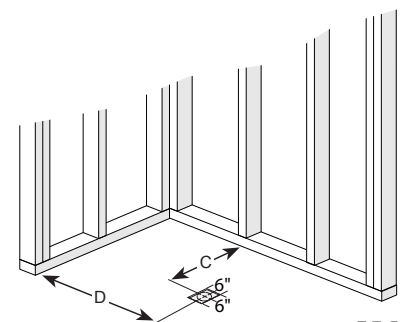
1.2 Cochez-moi!



1.3 Cochez-moi!



Couper une ouverture d'environ 6 po x 6 po pour le drain central, en respectant les mesures C et D. Voir l'image de droite et le tableau de l'étape 1.1. Nous recommandons de faire appel à un plombier certifié pour le raccordement du drain.



ÉTAPE 2

Installation de la base B3 / Olympia / Zone Square / Distinct

Assemblage du drain (inclus avec la base Zone square et B3Square, requis avec la base Distinct)

Appliquer de la silicone autour du trou du drain de la base (surface entre la base et la partie supérieure du drain). Assembler le drain tel qu'illustré.

SERRER À LA MAIN SEULEMENT!

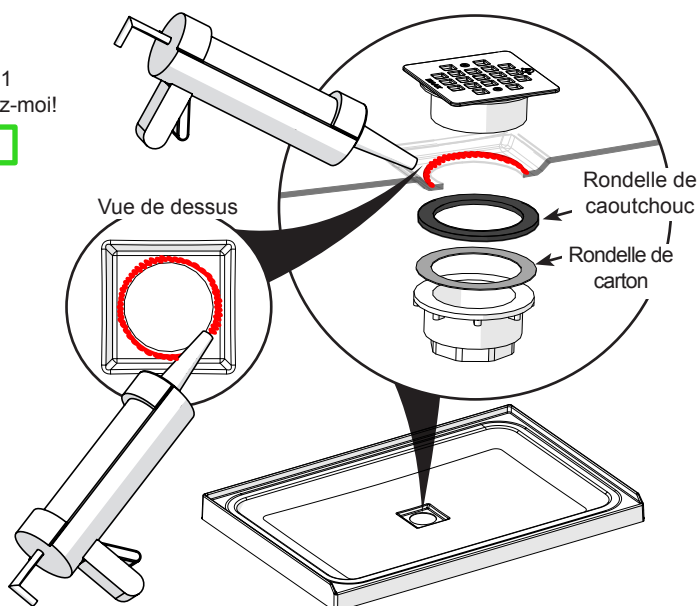
S'ASSURER QUE LE LOGO MAAX SUR LE COUVERT DU DRAIN FAIT FACE À L'AVANT DE LA BASE.

ENLEVER L'EXCÈS DE SILICONE.



Enlever la pellicule de plastique transparente autour du drain et sur le pourtour de la base avant de mettre le silicone. Conserver la pellicule de plastique sur le fond de la base comme protection jusqu'à la fin de l'installation.

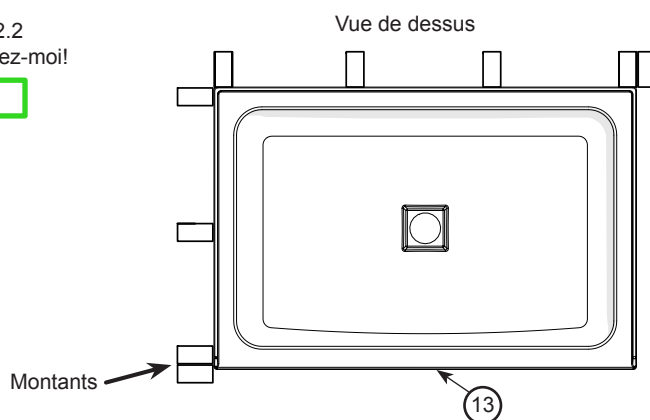
2.1
Cochez-moi!



Position du drain varie en fonction du modèle de la base

Mettre la base (13) en place en l'appuyant complètement contre les montants des murs.

2.2
Cochez-moi!

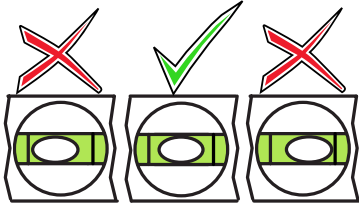


ÉTAPE 2 Installation de la base (suite) Olympia

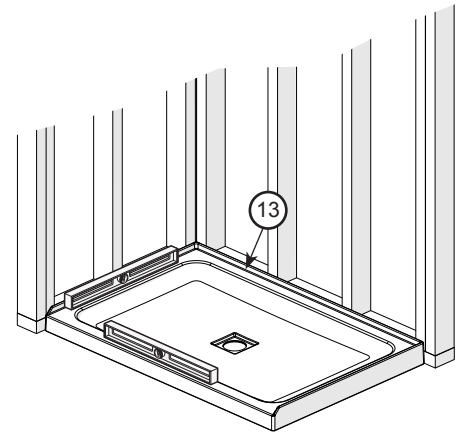
BASES COMPATIBLES	No.
Olympia square 4832	106011
Olympia square 6032	106012

S'assurer sur tous les côtés que la base est parfaitement de niveau. Vérifier que le drain est aligné. **Nous recommandons de faire appel à un plombier certifié pour le raccordement du drain.**

2.3
Cochez-moi!



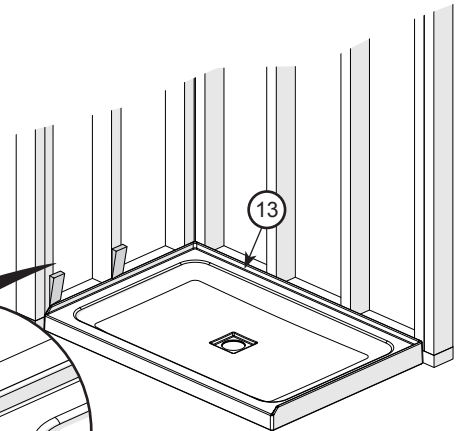
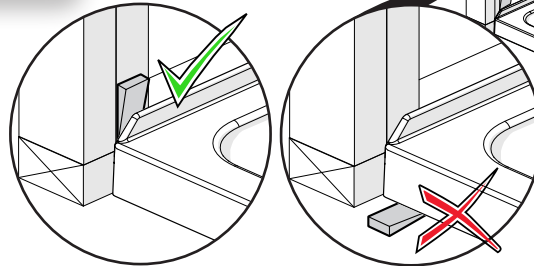
!
Il est essentiel que la base soit de niveau pour assurer la verticalité des murs.



Au besoin, utiliser des cales de bois entre la base et les montants pour maintenir la base en position.

POUR LES BASES OLYMPIA NE PAS UTILISER DES CALES DE BOIS SOUS LA BASE POUR LA METTRE DE NIVEAU; CELA ANNULERA LA GARANTIE!

2.4
Cochez-moi!



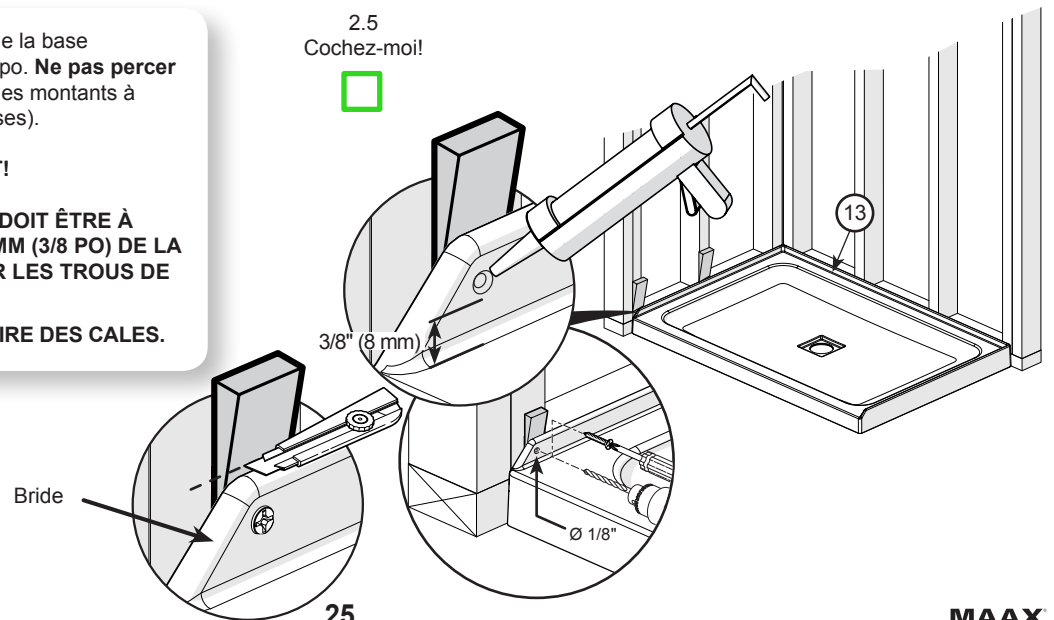
Percer des pré-trous dans la bride de la base seulement, avec une mèche de 1/8 po. **Ne pas percer les montants.** Fixer la base à tous les montants à l'aide de vis #8 x 1-3/4 po (non incluses).

SERRER À LA MAIN SEULEMENT!

CHAQUE TROU DANS LA BRIDE DOIT ÊTRE À UNE DISTANCE MINIMALE DE 8 MM (3/8 PO) DE LA SURFACE DE LA BASE! REMPLIR LES TROUS DE SILICONE AVANT VISSER

COUPER LA PARTIE EXCÈDENTAIRE DES CALES.

2.5
Cochez-moi!



ÉTAPE 2 Installation de la base (suite)

B3

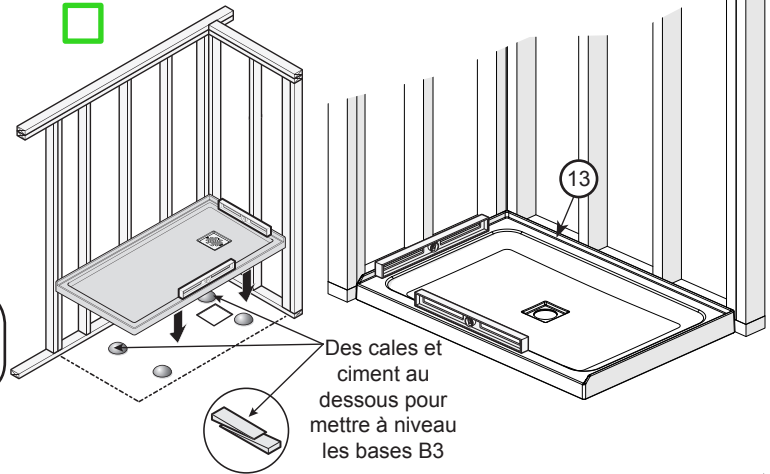
BASES COMPATIBLES	No.
B3 Square 4832	420001-5XX
B3 Round 4832	410001-5XX
B3 Square 4836	420003-5XX
B3 Round 4836	410003-5XX
B3 Square 6032	410005-5XX
B3 Round 6032	410005-5XX
B3 Square 6036	410006-5XX
B3 Round 6036	410006-5XX

Lever la base. Placer du ciment ou des cales de bois sous toutes les pattes pour supporter le fond de la base. Abaisser la base et valider la mise à niveau et la stabilité de la base au sol. Si nécessaire, ajouter des cales de bois ou du ciment.

Nous recommandons de faire appel à un plombier certifié pour le raccordement du drain.



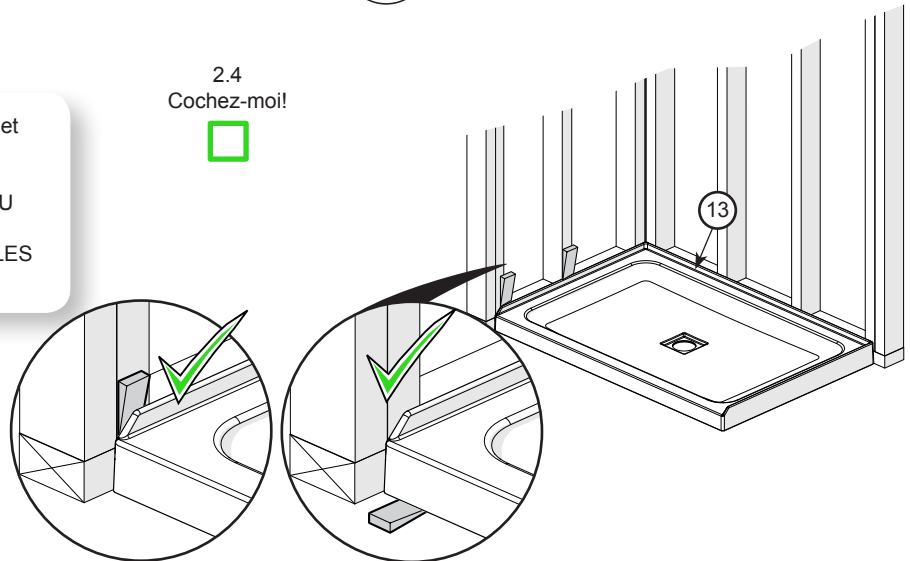
2.3
Cochez-moi!



Au besoin, utiliser des cales de bois entre la base et les montants pour maintenir la base en position.

POUR LES BASES DE DOUCHE B3 UTILISER AU BESOIN DES CALES DE BOIS SOUS LA BASE POUR LA METTRE DE NIVEAU (AU DESSOUS LES PATES DE LA BASE IDEALMENT)

2.4
Cochez-moi!



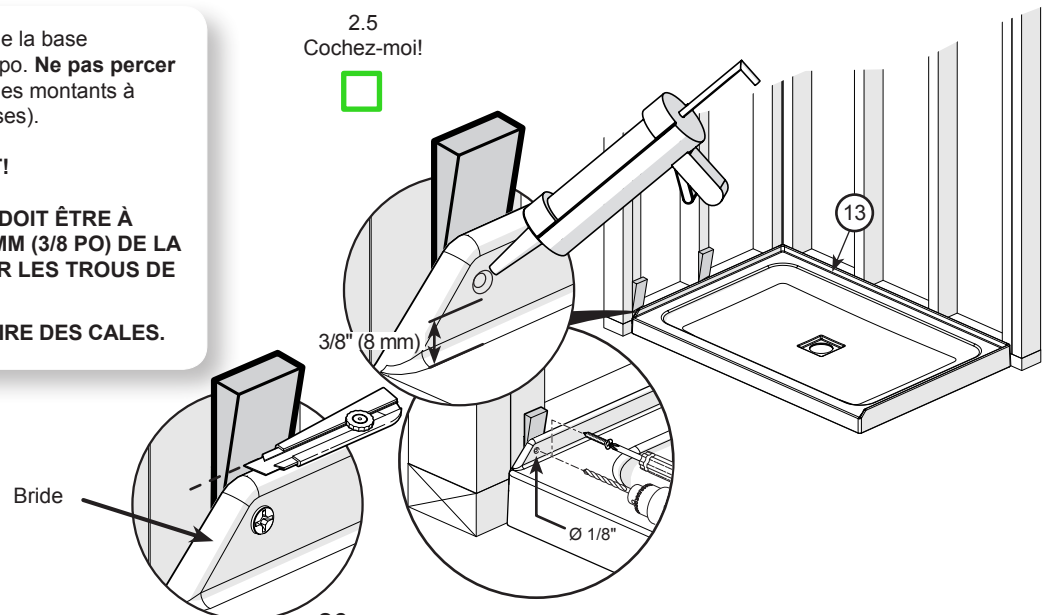
Percer des pré-trous dans la bride de la base seulement, avec une mèche de 1/8 po. **Ne pas percer les montants.** Fixer la base à tous les montants à l'aide de vis #8 x 1-3/4 po (non incluses).

SERRER À LA MAIN SEULEMENT!

CHAQUE TROU DANS LA BRIDE DOIT ÊTRE À UNE DISTANCE MINIMALE DE 8 MM (3/8 PO) DE LA SURFACE DE LA BASE! REMPLIR LES TROUS DE SILICONE AVANT VISSER

COUPER LA PARTIE EXCÉDENTAIRE DES CALES.

2.5
Cochez-moi!



ÉTAPE 2

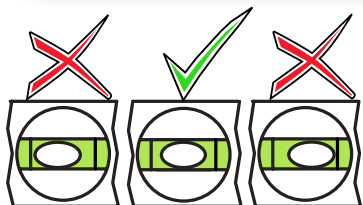
Installation de la base (suite)

Distinct / Zone Square

BASES COMPATIBLES	No.
Distinct 4832	106350
Zone square 4832	106351
Zone square 6032	106352 - 106353

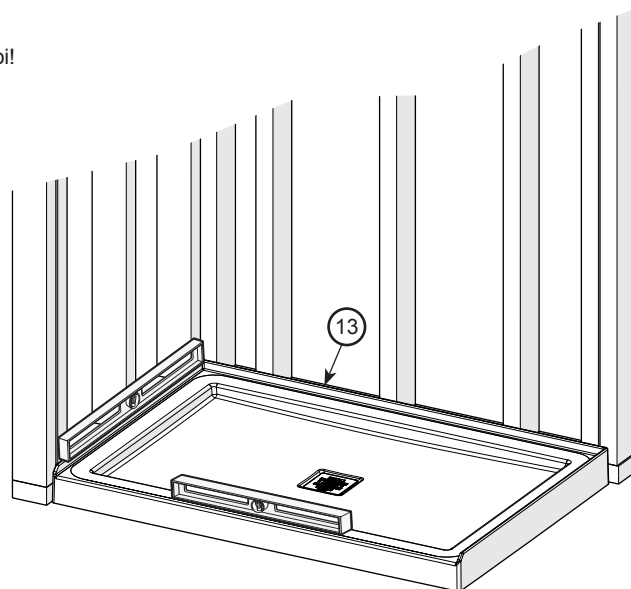
Valider quel sont les côtés de la base qui devront être nivelés pour être de niveau. A besoin noter sur les montants et le plancher.

Si la base est complètement de niveau passez à l'étape 2.5.



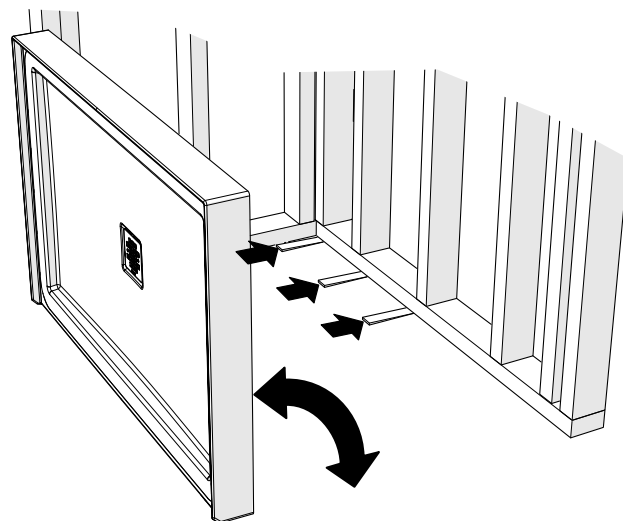
Il est essentiel que la base soit de niveau pour assurer la verticalité des murs.

2.3
Cochez-moi!



Soulever la base. Insérer des cales au sol sous le pourtour de la structure aux endroits précédemment marqués pour niveler la base. Abaisser la base et valider la mise de niveau et la stabilité de la base au sol. Si nécessaire, corriger avec des cales supplémentaires.

2.4
Cochez-moi!



ÉTAPE 2

Installation de la base (suite)

Distinct / Zone Square

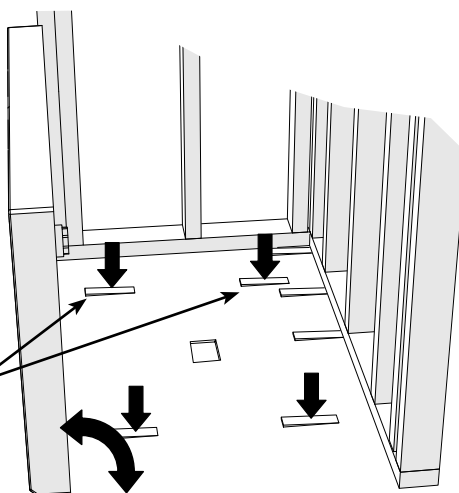
Lever la base. Placer du ciment ou des calles de bois sous toutes les pattes pour supporter le fond de la base. Abaisser la base et valider la mise à niveau et la stabilité de la base au sol. Si nécessaire, ajouter des cales de bois ou du ciment.

Nous recommandons de faire appel à un plombier certifié pour le raccordement du drain.

2.5
Cochez-moi!

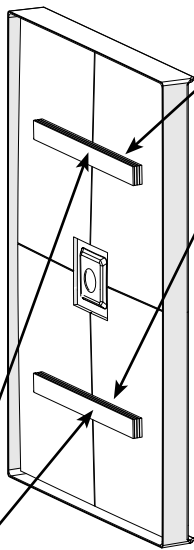
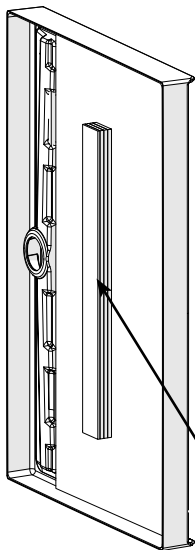


⚠ Vérifier la position des pattes sous la base pour positionner les cales si elles sont nécessaires

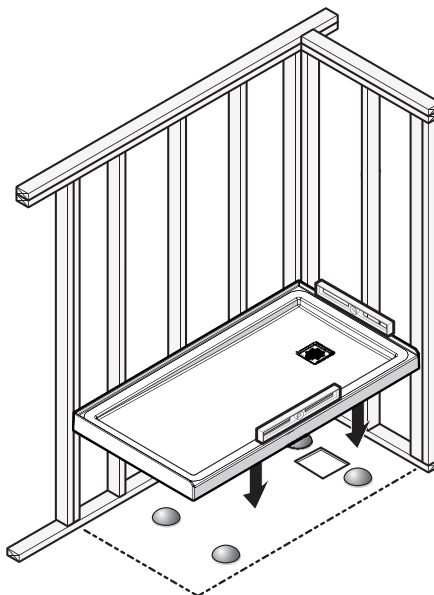


Distinct

Zone Square

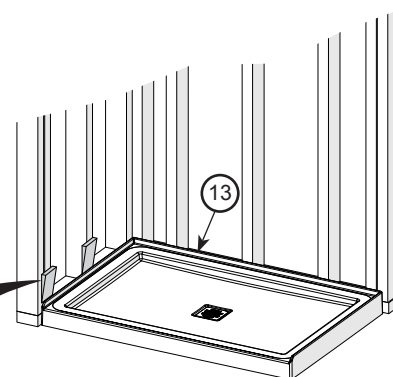
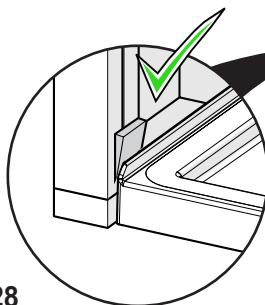


Pattes



Au besoin, utiliser des cales de bois entre la base et les montants pour maintenir la base en position.

2.6
Cochez-moi!



ÉTAPE 2

Installation de la base (suite)

Distinct / Zone Square

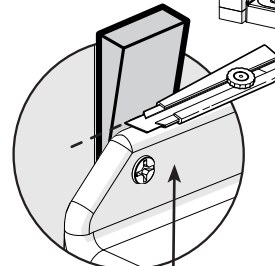
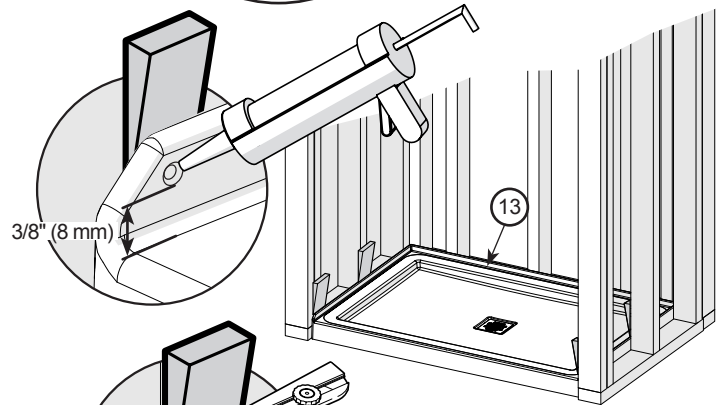
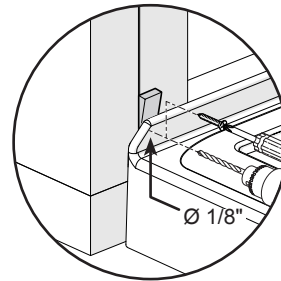
Avec une mèche de 1/8 po, percer des trous dans la bride de la base et visser la base dans les montants avec des vis #8 x 1 1/4 po (non fournies). S'assurer de percer la bride de la base seulement et non les montants.

SERRAGE À LA MAIN SEULEMENT!

LE BAS DE CHAQUE TROU DANS LA BRIDE DOIT ÊTRE À AU MOINS 8MM (3/8 PO) AU-DESSUS DU SEUIL DE LA BASE. REMPLIR LES TROUS DE SILICONE AVANT VISSER

COUPER LA PARTIE EXCÉDENTAIRE DES CALES.

2.7
Cochez-moi!

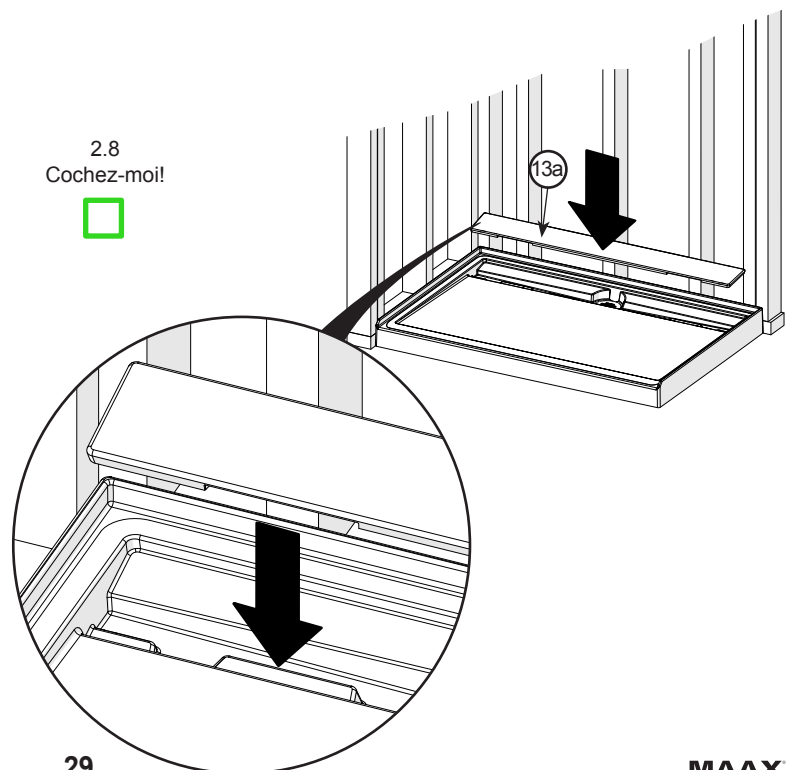


Bride de carrelage

Installation de couvercle de drain pour base Distinct 48

Insérer le couvercle du drain lineaire (13a) comme montré.

2.8
Cochez-moi!



ÉTAPE 3 Installation du système Ulok sur les murs

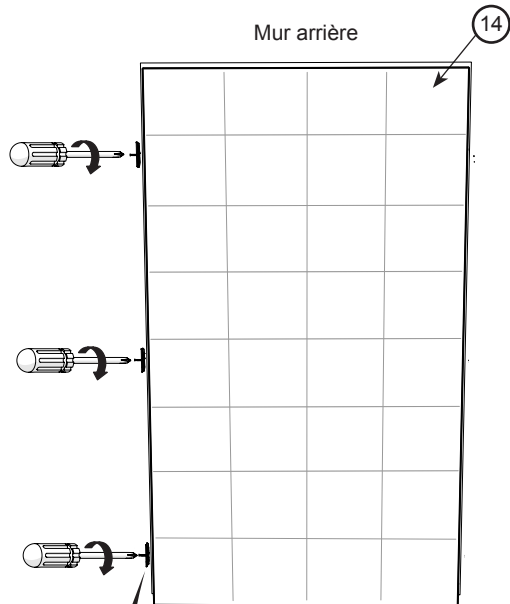


Les pièces du système Ulok se trouvent dans les boîtes contenant les murs de côté. (un paquet par boîte)



Installer trois fixations en X (1) dans les trous prépercés (14) sur le côté du mur arrière (14) qui sera assemblé au mur de côté au moyen des vis fournies (2).

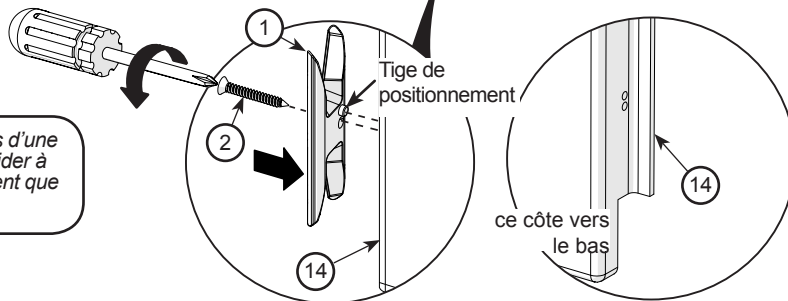
3.1
Cochez-moi!



Conseil éclair



Les fixations en X sont dotées d'une tige de positionnement pour aider à leur installation, ils ne s'installent que d'une façon.



Installer trois chevilles d'ancrage (3) dans les trous prépercés du mur de côté (15) au moyen des vis fournies (4).

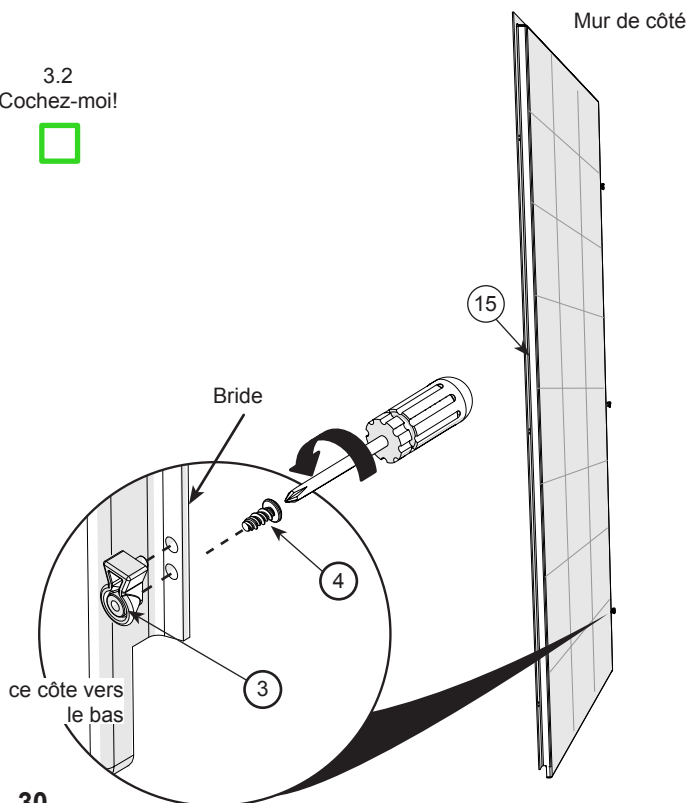
3.2
Cochez-moi!



Conseil éclair



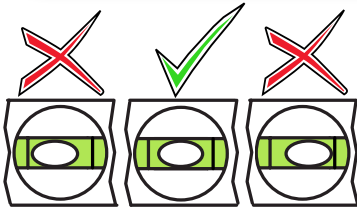
Le mur de côté est interchangeable. Pour installer le mur à gauche, fixer les chevilles d'ancrages à droite, et pour installer le mur à droite, fixer les chevilles à gauche.



ÉTAPE 4 Installation temporaire du mur arrière

Retirer au moins 3 ou 4 po de pellicule transparente de **tous les côtés** du mur arrière. Laisser le reste de la pellicule collée sur le mur.

Positionner le mur arrière (14) en le déposant sur le seuil arrière de la base, puis le mettre de niveau.



Il est essentiel de mettre le mur arrière de niveau pour assurer l'alignement des murs de côté.

Conseil éclair

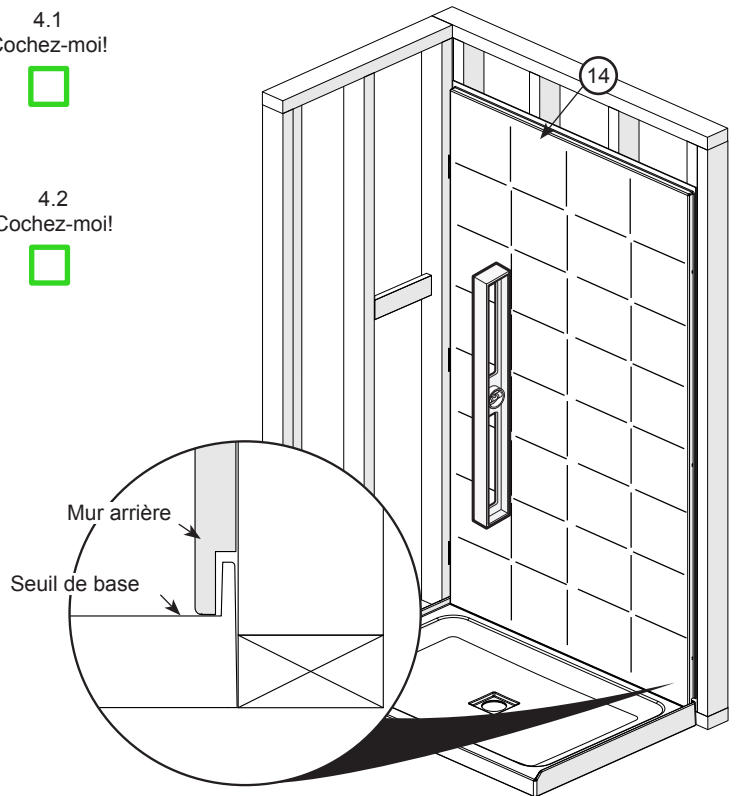


L'installation temporaire des murs permet de s'assurer de leur alignement adéquat avant de procéder à leur installation permanente.

4.1
Cochez-moi!



4.2
Cochez-moi!



Faire des pré-trous dans la bride du mur arrière seulement (14), vis-à-vis de chaque montant avec une mèche de 1/8 po. **Ne pas percer les montants.** Fixer temporairement le mur arrière à un seul montant à l'aide d'une vis #8 x 1-3/4 po (non incluse).

IMPORTANT : SERRER À LA MAIN SEULEMENT. INSTALLATION TEMPORAIRE.

Conseil éclair

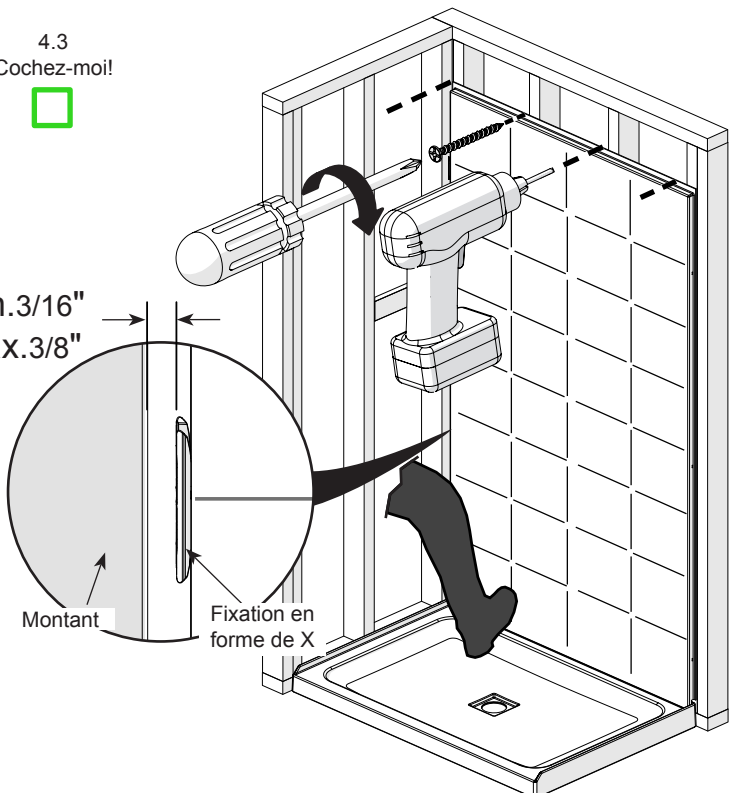


Pousser le bas du mur contre les montants avec le pied au moment de le visser en place.

4.3
Cochez-moi!



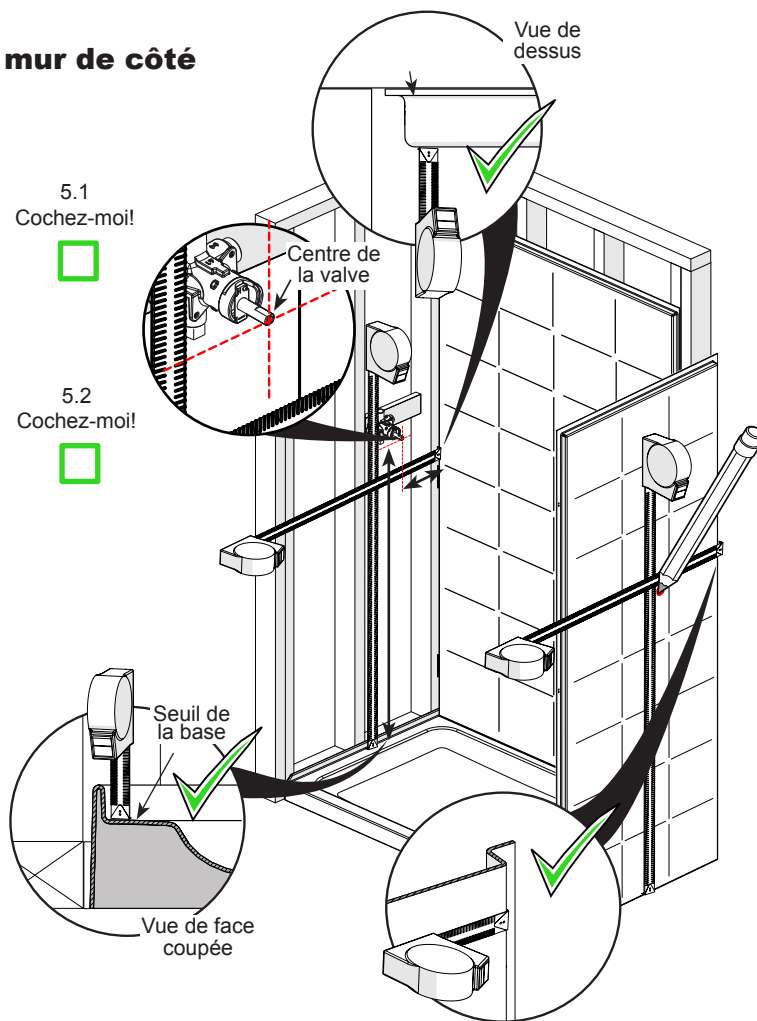
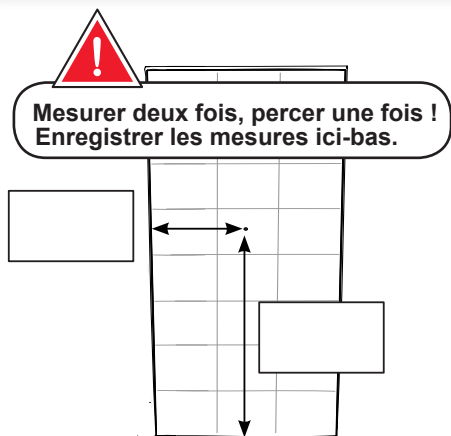
min. 3/16"
max. 3/8"



ÉTAPE 5 Installation temporaire du mur de côté

Mesurer la distance entre la face du mur arrière et le centre de la robinetterie. Mesurer ensuite la distance entre le seuil de la base et le centre de la robinetterie.

Reporter les mesures de la position du trou de la robinetterie sur le mur de côté. Mesurer à partir du bas du mur et du côté des chevilles d'ancrage. Répéter cette étape pour chaque trou de robinetterie.

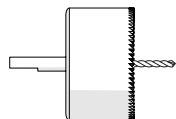


Percer par l'avant les trous pour la robinetterie : Faire d'abord un preperçage à l'aide d'une mèche de 1/8 po. Utiliser une scie-cloche pour percer le trou de la robinetterie à l'endroit marqué. Consulter le guide d'installation de la robinetterie pour connaître la taille nécessaire de la scie-cloche.

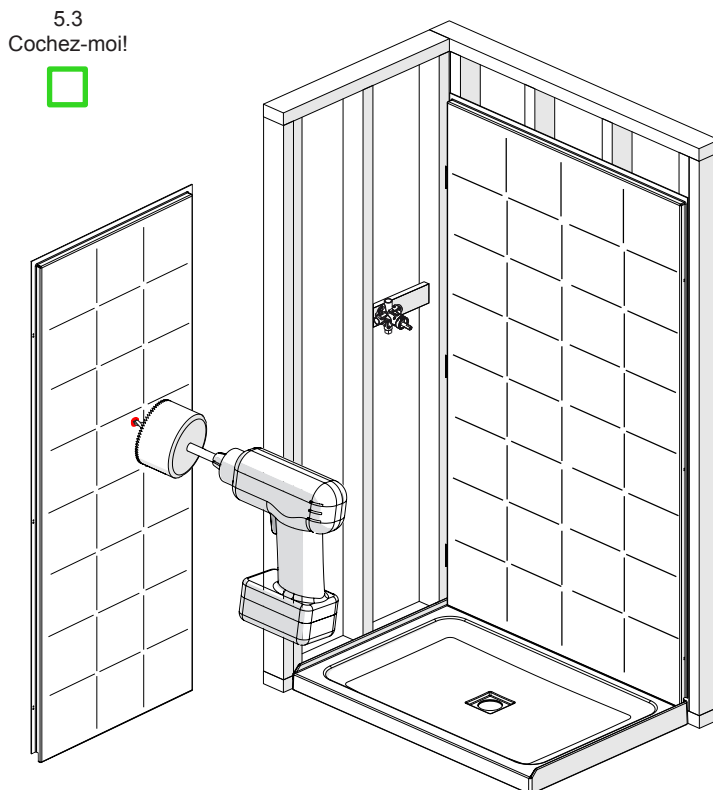
Conseil éclair



Les scies-cloches peuvent être louées dans les quincailleries ou les commerces de location d'outils.



Pour un perçage en toute sécurité : Toujours prepercer un trou et porter des lunettes de sécurité lors du perçage.



ÉTAPE 5 Installation temporaire du mur de côté (suite)

Installer le mur de côté (15). Placer le mur à environ 3 po au-dessus du seuil de la base, le pousser à fond contre le mur arrière, puis l'abaisser sur le seuil de la base.



Il est essentiel que les chevilles d'ancrage soient bien insérées dans les fixations en X. Il ne devrait y avoir aucun espacement entre le mur de côté et le mur arrière.

Conseil éclair

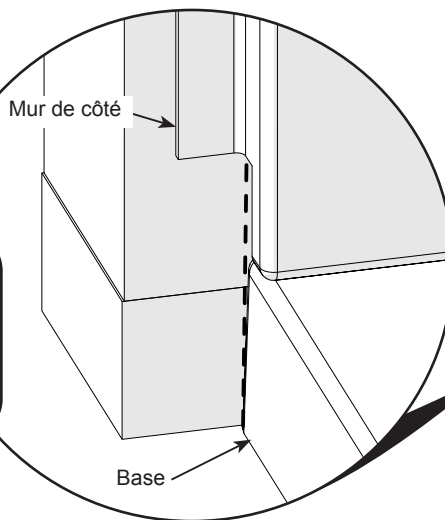


Vérifier la verticalité du mur de côté à l'aide d'un niveau. Si le mur n'est pas vertical, s'assurer que les chevilles d'ancrages sont bien insérées dans les fixations en X.

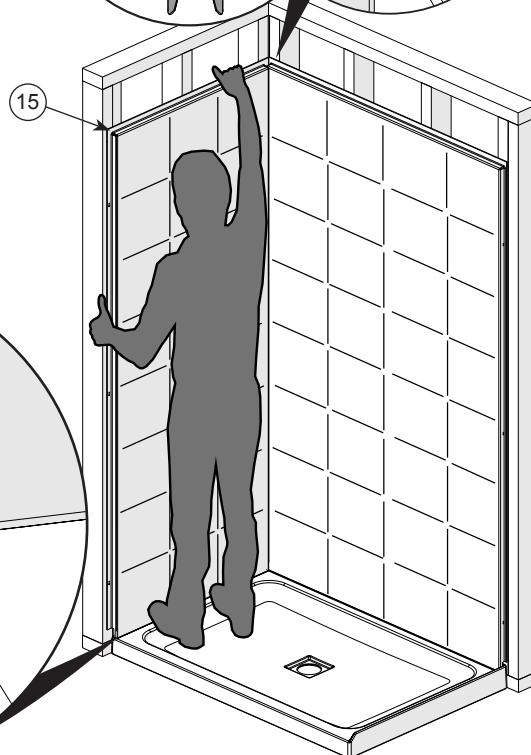
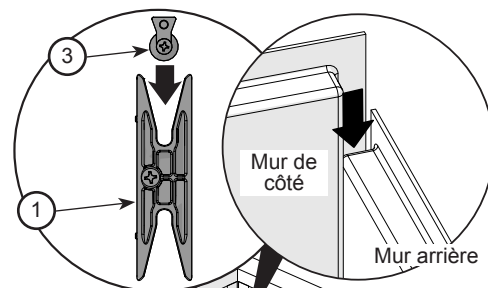
Conseil éclair



Le mur de côté devrait être aligné avec le devant de la base. **Si ce n'est pas le cas, retirer les murs et insérer des cales en bois entre le rebord arrière de la base et la structure de l'alcôve.**



5.4
Cochez-moi!

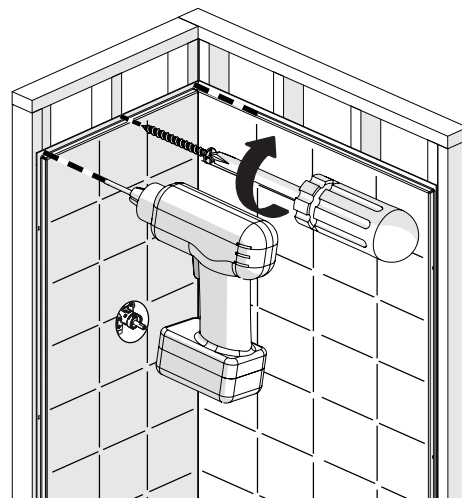


5.5
Cochez-moi!



Faire des pré-trous dans la bride du mur de côté seulement (15), vis-à-vis de chaque montant avec une mèche de 1/8 po. **Ne pas percer les montants.** Fixer temporairement le mur de côté à un seul montant à l'aide d'une vis #8 x 1-3/4 po (non incluse).

IMPORTANT : SERRER À LA MAIN SEULEMENT. INSTALLATION TEMPORAIRE.



ÉTAPE 6 Installation finale du mur arrière

Retirer tous les murs de la structure.

Nettoyer la base et appliquer un trait de silicone sur le seuil de la base à 3/8 po de la bride arrière. Appliquer de la silicone sur toute la longueur arrière ainsi que 1" où le mur de côté sera installé.

Soulever et mettre en place le mur arrière (sans le glisser) directement sur la silicone. S'assurer que le mur arrière (14) est de niveau et centré sur la base (13). Fixer le mur arrière à tous les montants à l'aide de vis #8 x 1-3/4 po (non incluses).

IMPORTANT : SERRER À LA MAIN UNIQUEMENT. NE PAS TROP SERRER LES VIS.



Pour assurer l'installation du mur de côté, il doit y avoir un espace minimal de 3/16 po et maximal de 3/8 po entre les montants et les fixations en X.

Conseil éclair



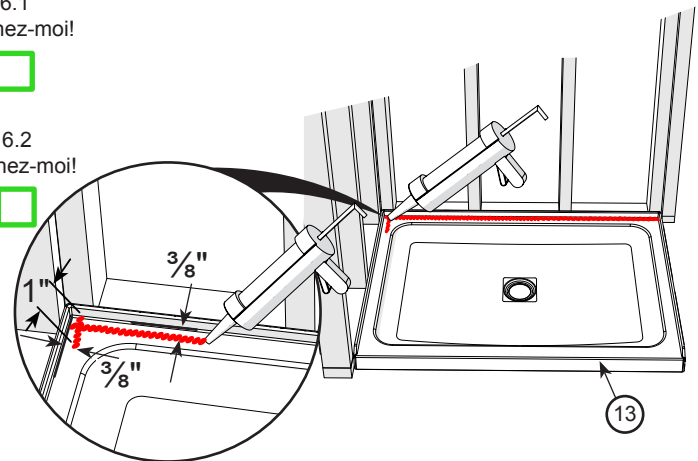
Pousser le bas du mur contre les montants avec le pied lors du vissage.

Sur le côté de la base (13), appliquer un trait de silicone sur toute la longueur du seuil, à 1/4 po de la bride. Appliquer aussi un trait de silicone sur toute la hauteur du mur arrière (14), sur la surface avant et au bord de l'arrondi. **À la jonction du mur arrière et de la base, les traits de silicone doivent se chevaucher.**

6.1 Cochez-moi!



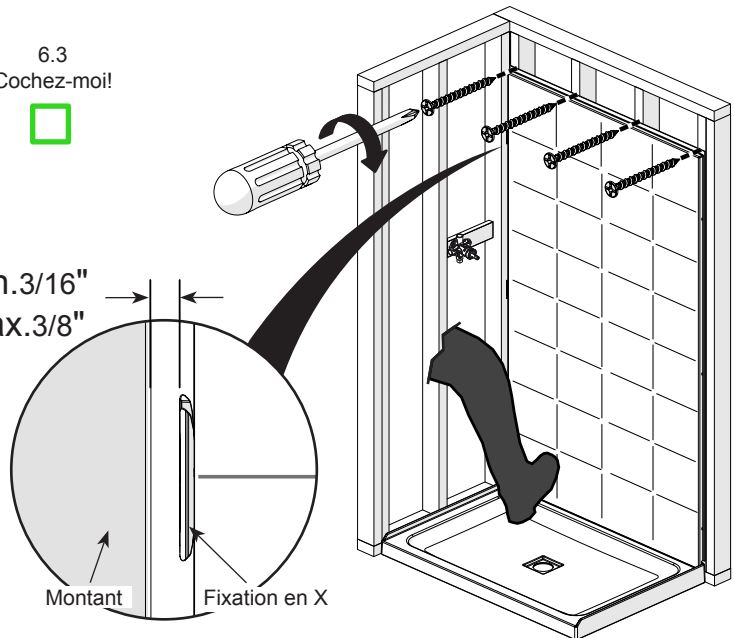
6.2 Cochez-moi!



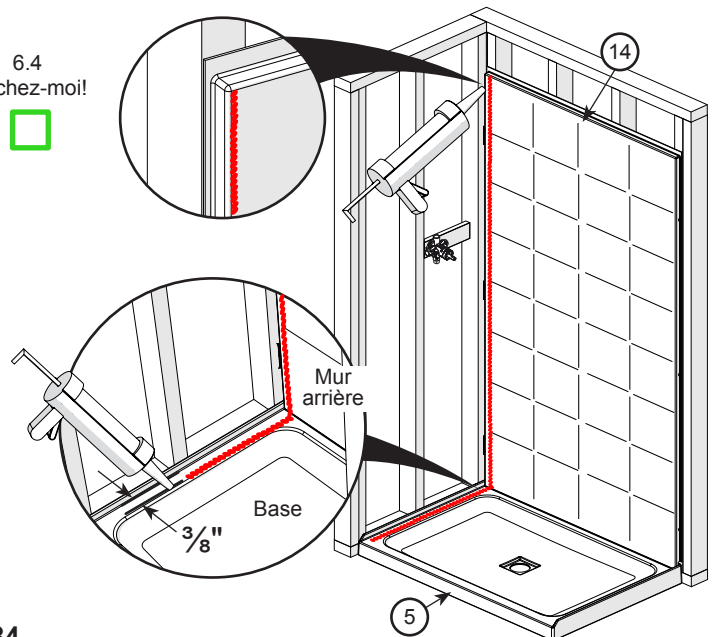
6.3 Cochez-moi!



min. 3/16"
max. 3/8"



6.4 Cochez-moi!

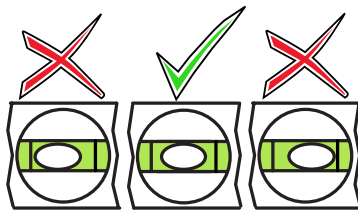
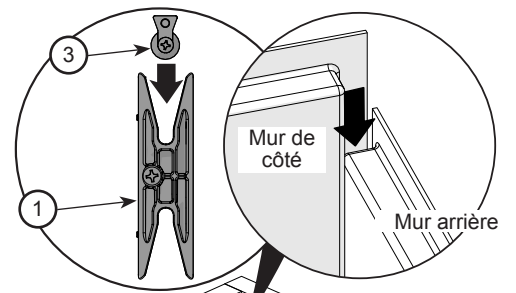


ÉTAPE 7 Installation finale du mur de côté

Installer le mur de côté (15). Placer le mur à environ 3 po au-dessus du seuil de la base, le pousser à fond contre le mur arrière, puis l'abaisser sur le seuil de la base.

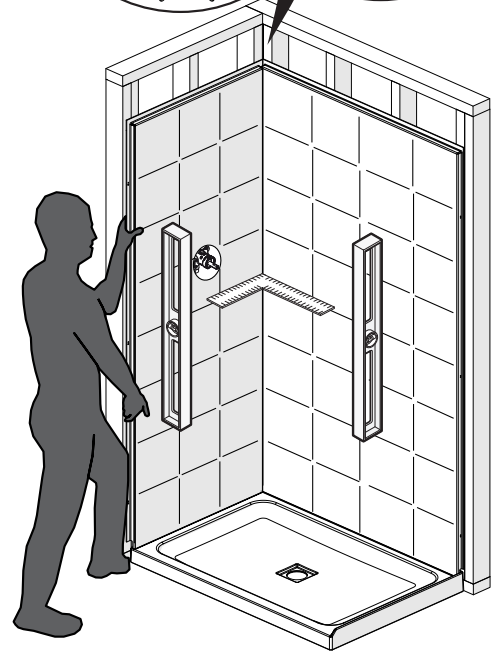
ENLEVER L'EXCÉDANT DE SILICONE.

7.1 Cochez-moi!



AVANT DE POURSUIVRE, S'ASSURER QUE TOUS LES MURS SONT À L'ÉQUERRE ET VERTICAUX.

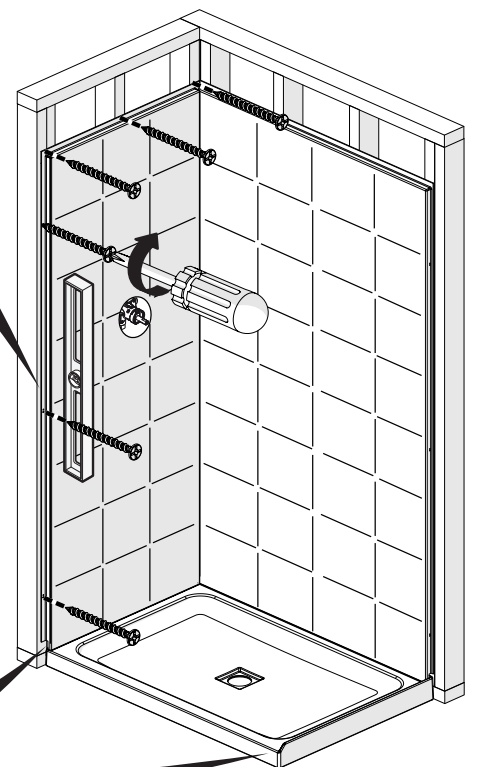
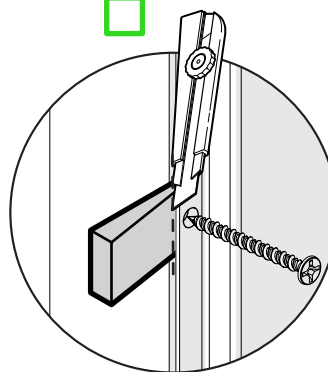
7.2 Cochez-moi!



Fixer le mur de côté à tous les montants à l'aide de vis #8 x 1-3/4 po (non incluses). Visser le mur de côté en utilisant les pré-trous de la bride. Au besoin, utiliser des cales de bois pour assurer que le mur est de niveau et vertical. (Couper l'excédant des cales)

IMPORTANT : SERRER À LA MAIN UNIQUEMENT. NE PAS TROP SERRER LES VIS.

Cochez-moi!



Conseil éclair



LE MUR DE CÔTÉ DEVRAIT ÊTRE BIEN ALIGNÉ AVEC LA BASE.

Mur de côté

Base

ÉTAPE 8

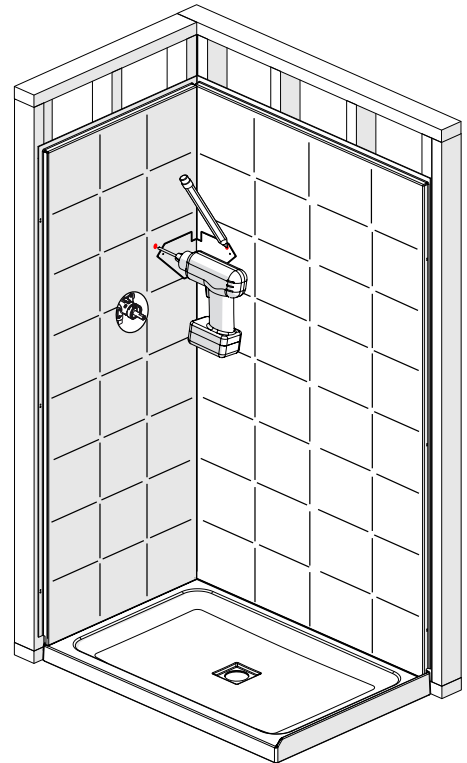
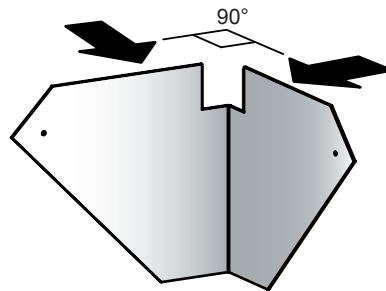
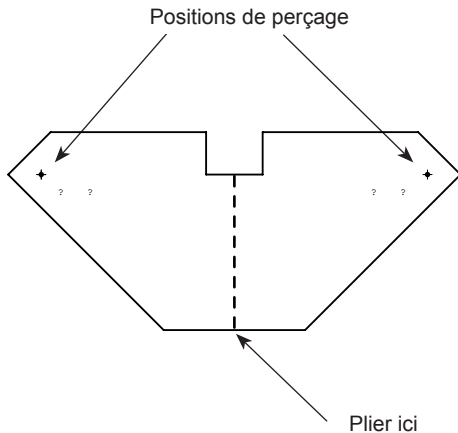
Marquage et perçage des trous pour la tablette

Placer le gabarit de la tablette dans le coin de la douche, à l'endroit désiré.

Glisser le gabarit jusqu'à ce que les trous soient à la hauteur désirée de la tablette. Marquer l'emplacement des trous de perçage.

Percer les trous avec une mèche de 6/64 po.

Cochez-moi!



ÉTAPE 9 Silicone

Enlever la pellicule protectrice des murs

Appliquer un trait de silicone sur toute la longueur des joints (mur à mur et mur à base). Pour une belle finition, enlever l'excédant de silicone avec un chiffon humide ou un doigt mouillé.

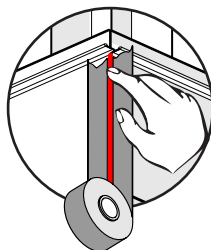
Cochez-moi!



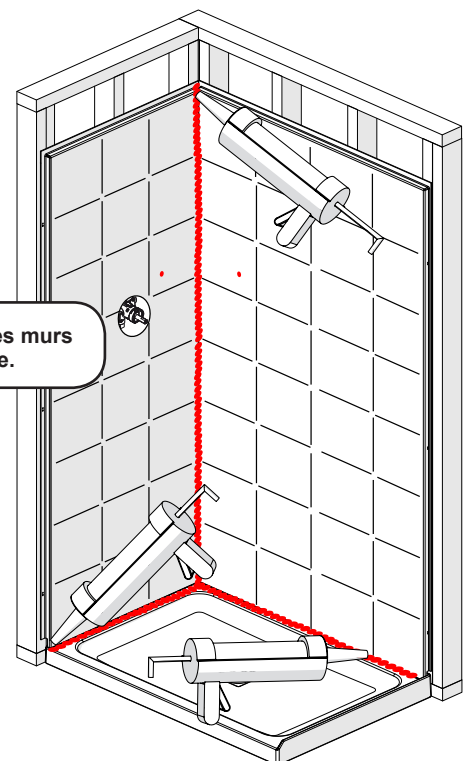
Conseil éclair



Appliquer du ruban-cache de chaque côté du joint où le trait de silicone sera appliqué. Appliquer la silicone, lisser avec un doigt mouillé, puis enlever le ruban-cache.

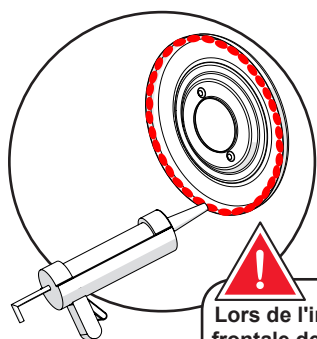


Toute robinetterie installé sur les murs doit être sellé avec de la silicone.



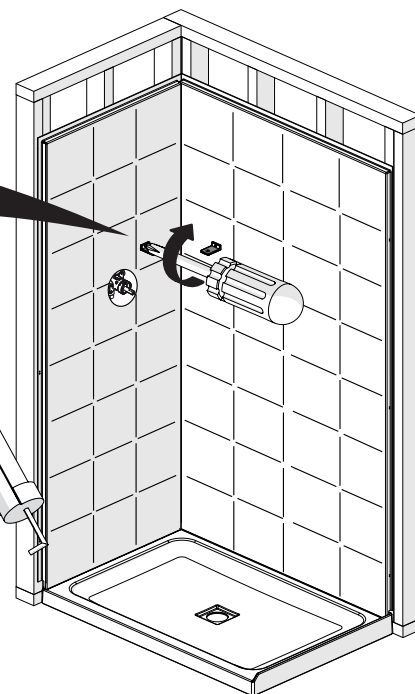
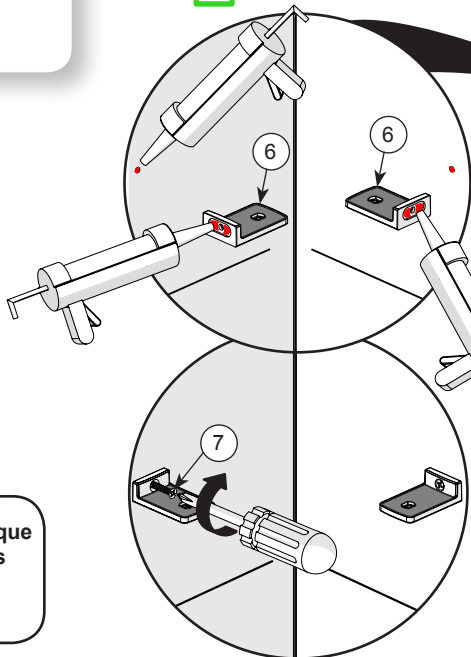
ÉTAPE 10 Installation de la tablette

Appliquer de la silicone dans les trous du mur de côté et arrière qui serviront à l'installation de la tablette. Appliquer de la silicone sur l'arrière des supports (6). Fixer les supports aux murs en utilisant les vis fournies (7).



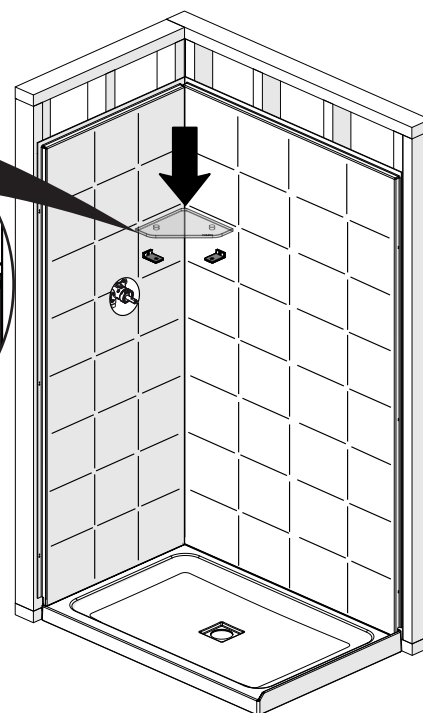
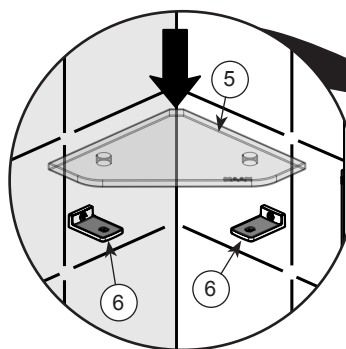
Lors de l'installation de la plaque frontale de la valve ou d'autres composants, appliquer du silicone sur le bord extérieur.

10.1
Cochez-moi!



Nettoyer la partie en caoutchouc sur le dessus des supports avec un chiffon humide. Placer ensuite la tablette (5) sur les supports (6).

10.2
Cochez-moi!



Conseil éclair

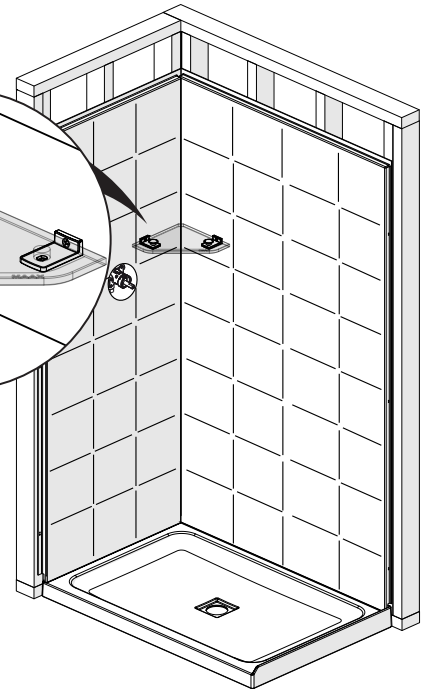
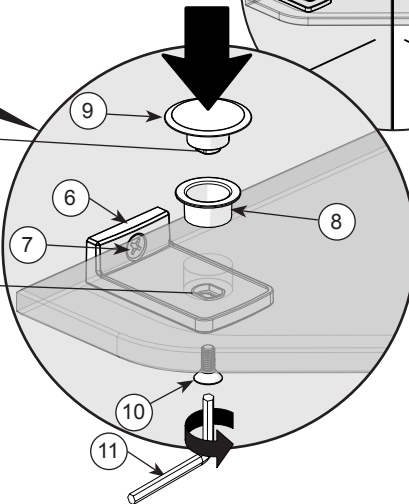
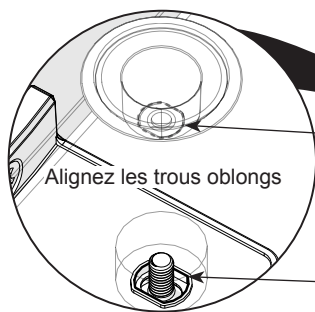


La tablette est sur le bon côté s'il est possible de lire le logo MAAX.

ÉTAPE 10 Installation de la tablette (suite)

Insérer les capuchons (9) dans les rondelles (8). Aligner les trous de la tablette et ceux des supports (6), puis y insérer l'assemblage du capuchon (9). Sous la tablette, insérer les vis #10 x 1/2 po (10) et serrer avec la clé hexagonale (11).

10.3
Cochez-moi!

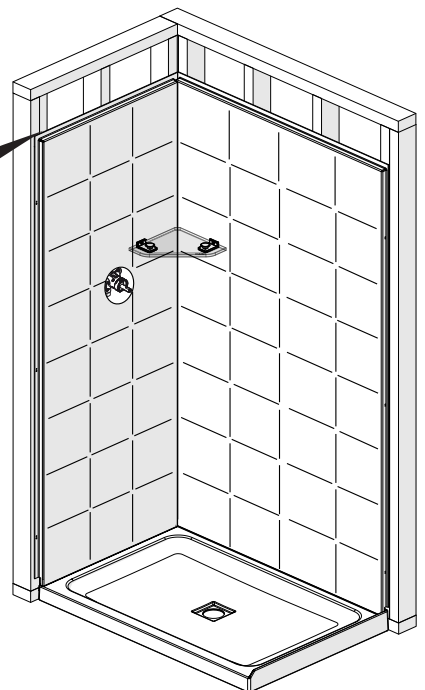
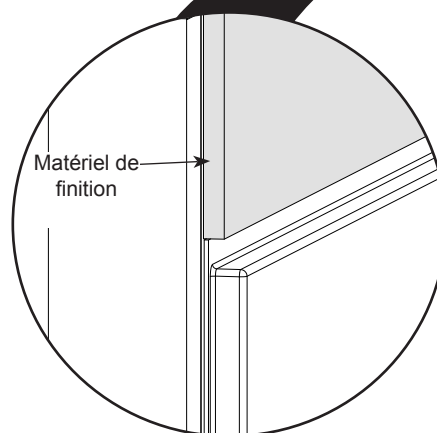
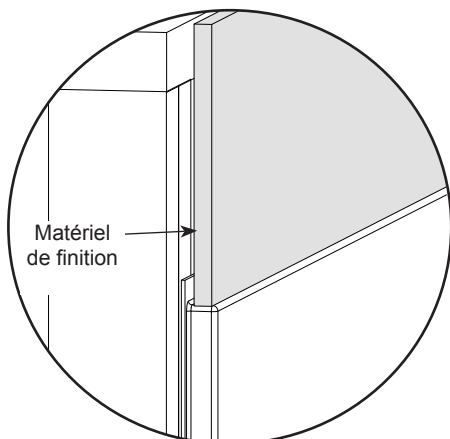


Ne pas trop serrer le capuchon (9)

ÉTAPE 11 Finition du mur

Pour la finition du mur, vous pouvez installer votre matériel de finition sur le dessus de la bride ou sur le bord de mur, comme indiqué.

Cochez-moi!



MAAX conçoit et fabrique ses produits avec des **matériaux durables de haute qualité et des technologies d'avant-garde** dans le but de réduire le temps de nettoyage et d'entretien. Néanmoins, il demeure essentiel de les entretenir de façon régulière et adéquate.

Voici des conseils généraux d'utilisation et d'entretien, qui s'ajoutent aux recommandations spécifiques à votre produit MAAX. Nous vous recommandons de les suivre pour bénéficier de nombreuses années d'agréable utilisation.



Entretien de murs Utile / baignoire / base de douche / porte de douche

- ☒ **Nettoyer régulièrement** avec un nettoyant à vaporiser ou en crème non-abrasif.
- ☒ **Ne jamais utiliser de nettoyants pour tuiles ou joints de coulis.** Ces produits sont inappropriés aux produits Utile et pourraient endommager l'unité.
- ☒ **Ne jamais utiliser un nettoyant abrasif, un grattoir, une brosse métallique** ni tout outil ou produit qui peut rayer ou ternir la surface de votre unité MAAX.
- ☒ Afin d'éviter d'endommager le fini de l'unité, **retirer les résidus de plâtre** qui pourraient se déposer sur les surfaces lors de travaux avec une spatule en plastique ou en bois enveloppée dans un chiffon humide.
- ☒ **Essuyer la porte de douche après chaque utilisation** avec une raclette ou un chiffon doux afin de réduire l'accumulation de savon, d'additifs de bain, d'huiles corporelles naturelles et de minéraux présents dans l'eau. Cela facilite le nettoyage et aide à maintenir le lustre naturel de votre produit.
- ☒ **Réparer les fissures ou les dommages immédiatement** au moyen de la trousse de réparation MAAX pour les produits Utile. Pour plus d'information, contactez le service à la clientèle au **1-877-GET-MAAX (1-877-438-6229)**.



Para una instalación sin problemas siga las etapas una a una y marque una vez finalizada cada etapa.



ETAPA 1 Construcción de la estructura

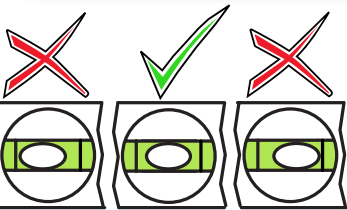
Antes de comenzar asegúrese de tener todas las piezas y componentes referirse a la página 4.

Construir una estructura que respete las dimensiones mencionadas en la tabla.

SI LA ESTRUCTURA YA ESTA CONSTRUIDA, ASEGURARSE QUE LAS DIMENSIONES RESPETEN LAS DE LA TABLA

BASES COMPATIBLES	No.	A	B	C	D	
Olympia square 4832	106011	Entre 48"- 48 1/4"	33 1/2"	16"	24"	
Olympia square 6032	106012	Entre 60"- 60 1/4"		16"	8 1/2"	
B3 Square 4832	420001-5XX	Entre 48"- 48 1/4"	33 1/2"	16"	24"	
B3 Round 4832	410001-5XX		37 1/2"	18"		
B3 Square 4836	420003-5XX			33 1/2"	16"	11 3/4"
B3 Round 4836	410003-5XX		37 1/2"		18"	
B3 Square 6032	420005-5XX	Entre 60"- 60 1/4"	33 1/2"	16"	11 3/4"	
B3 Round 6032	410005-5XX		37 1/2"	18"		
B3 Square 6036	420006-5XX			48" - 48 1/4"	33 1/2"	4 1/2"
B3 Round 6036	410006-5XX		48" - 48 1/4"		33 1/2"	16"
Distinct 4832	106350	48" - 48 1/4"	33 1/2"	16"	24"	
Zone Square 4832	106351	60" - 60 1/4"	33 1/2"	16"	11 3/4"	
Zone Square 6032	106352 - 106353	60" - 60 1/4"	33 1/2"	16"	11 3/4"	

Verificar que los listones estén a escuadra y verticales y que el piso esté a nivel.

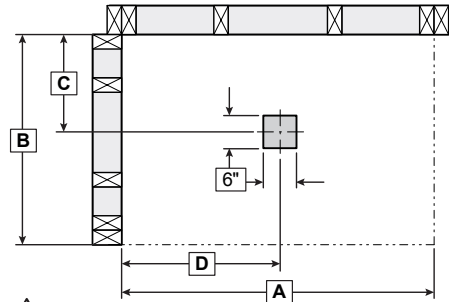


Es esencial que el suelo esté a nivel para garantizar una instalación alineada. Cemento autonivelante puede ser usado para nivelar el piso. Tenga cuidado de no bloquear la posición de la abertura del desagüe.

1.1 Marcarme!



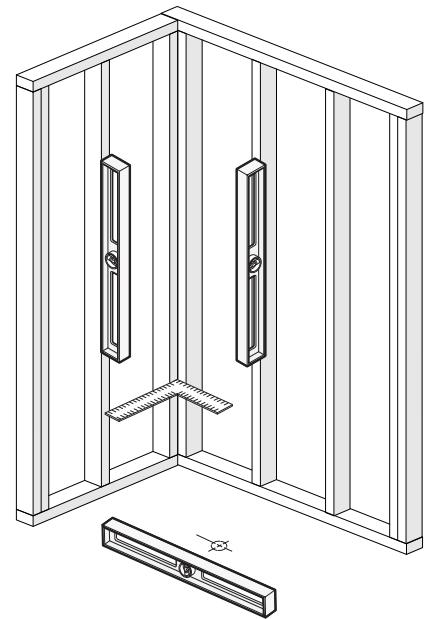
Vista superior de la estructura



Vista de una ducha de 48"

Respetar la posición de los montantes al frente y en las esquinas interiores, los otros pueden variar.

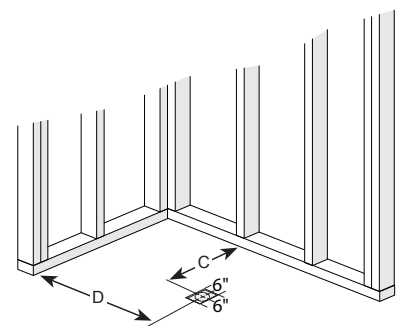
1.2 Marcarme!



1.3 Marcarme!



Corte una abertura de aproximadamente 6 x 6 para el desagüe central, siguiendo las medidas C y D. Ver la imagen de la derecha y de la tabla en el paso 1.1. Recomendamos contratar a un plomero certificado para conectar el desagüe.



ETAPA 2


Instalación de la base B3 / Olympia / Zone square / Distinct

Ensamble del drenaje (incluido con la base Zone square y B3Square, requerido para la base Distinct)

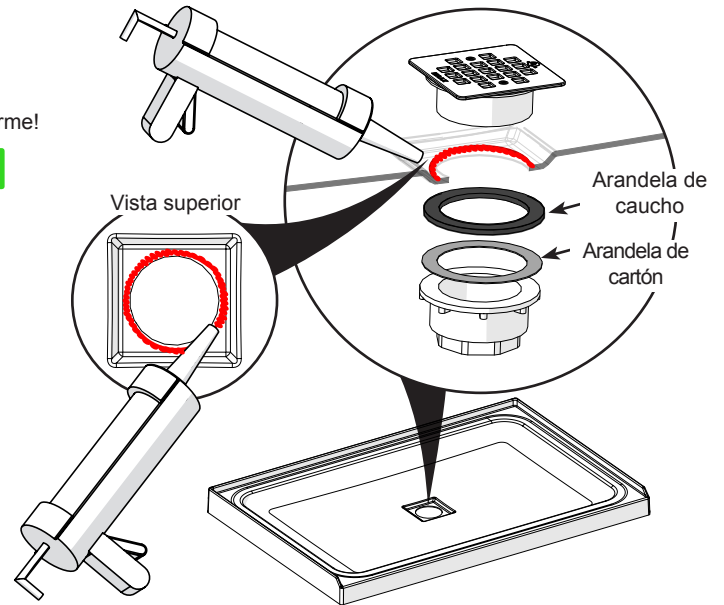
Aplicar silicona alrededor del agujero de drenaje de la base (ver la ilustración). Montar el desagüe como se ilustra.

APRETAR A MANO ÚNICAMENTE!

REMOVER EL EXCESO DE SILICONA.

 Retire la película transparente alrededor del desagüe y sobre el umbral antes de aplicar silicona. Conservar la película de plástico en el fondo de la base como protección hasta el final de la instalación.

2.1
Marcarme!

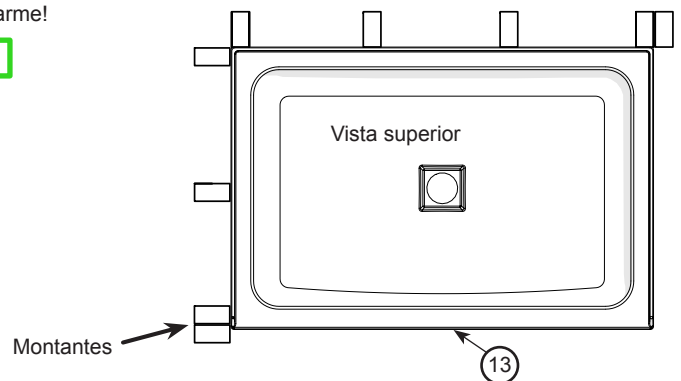


La posición del desagüe varía según el modelo de base

2.2
Marcarme!



Ponga la base (13) en su lugar apoyandola contra los montantes o listones de los muros.



ETAPA 2

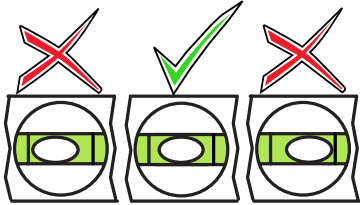
Instalación de la base (continuación)

Olympia

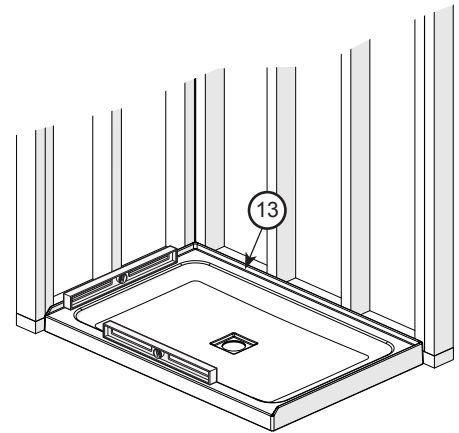
BASES COMPATIBLES	No.
Olympia square 4832	106011
Olympia square 6032	106012

Asegúrese en todos los lados que la base esta perfectamente nivelada. Comprobar que el desagüe está alineado. **Se recomienda utilizar un plomero certificado para la conexión de drenaje.**

2.3
Marcarme!



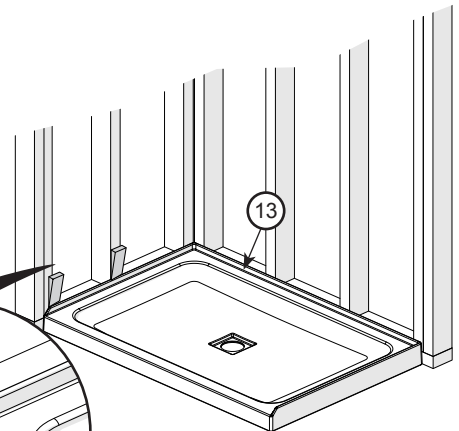
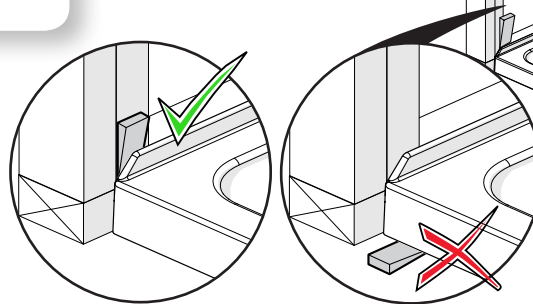
Es esencial que la base este a nivel para garantizar la verticalidad de las paredes.



Si es necesario, utilizar cuñas de madera entre la base y los montantes para mantener la base en posición.

PARA LAS BASES OLYMPIA NO USAR CUÑAS DE MADERA DEBAJO DE LA BASE PARA NIVELARLA; HACERLO ANULARÁ LA GARANTÍA!

2.4
Marcarme!



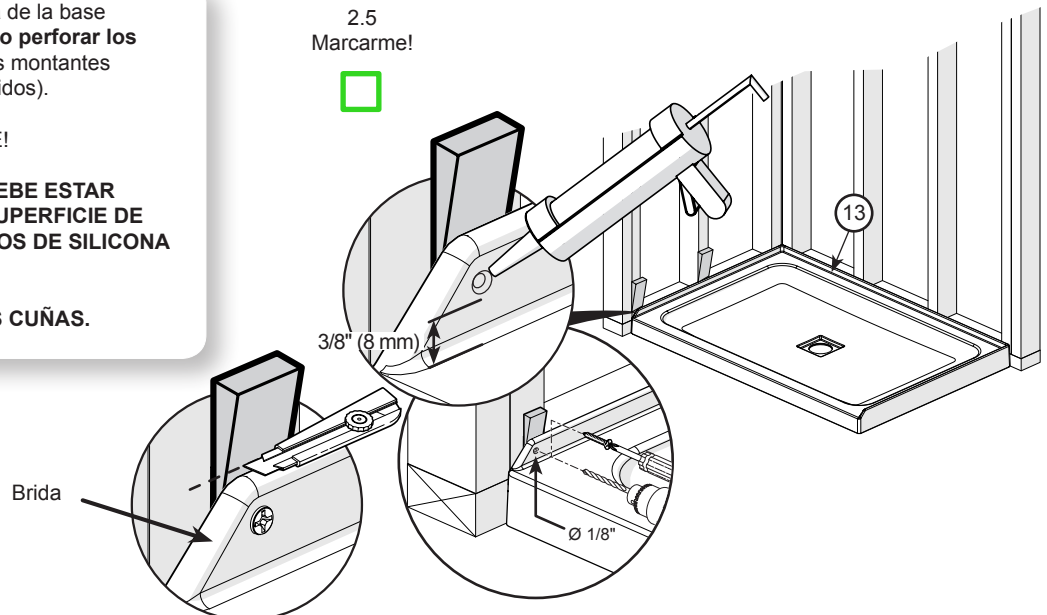
Perforar los pre-agujeros de la brida de la base solamente con una broca de 1/8". **No perforar los montantes.** Fijar la base a todos los montantes usando tornillos # 8 x 1 3/4" (no incluidos).

APRETAR A MANO ÚNICAMENTE!

CADA AGUJERO DE LA BRIDA DEBE ESTAR MÍNIMO A 8 MM (3/8 PO) DE LA SUPERFICIE DE LA BASE! LLENAR LOS AGUJEROS DE SILICONA ANTES DE ATORNILLAR

CORTAR EL EXCEDENTE DE LAS CUÑAS.

2.5
Marcarme!



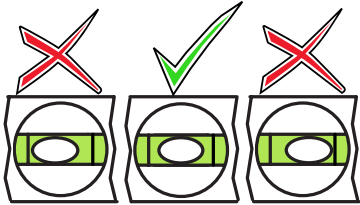
ETAPA 2 Instalación de la base (continuación)

B3

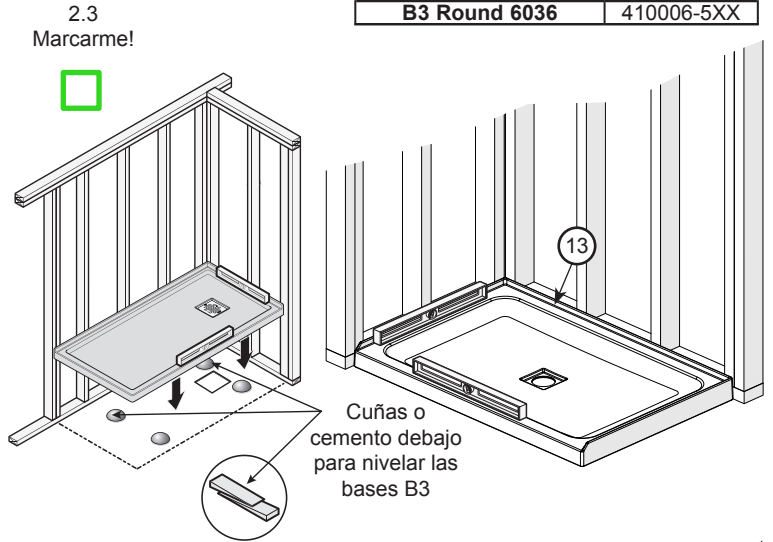
BASES COMPATIBLES	No.
B3 Square 4832	420001-5XX
B3 Round 4832	410001-5XX
B3 Square 4836	420003-5XX
B3 Round 4836	410003-5XX
B3 Square 6032	410005-5XX
B3 Round 6032	410005-5XX
B3 Square 6036	410006-5XX
B3 Round 6036	410006-5XX

Levantarse la base. Colocar cemento o cuñas de madera bajo todas las patas para soportar el fondo de la base. Bajar la base y validar la nivelación y la estabilidad de la base con el suelo. En caso de necesidad, agregar más cuñas o cemento.

Se recomienda utilizar un plomero certificado para la conexión de drenaje.

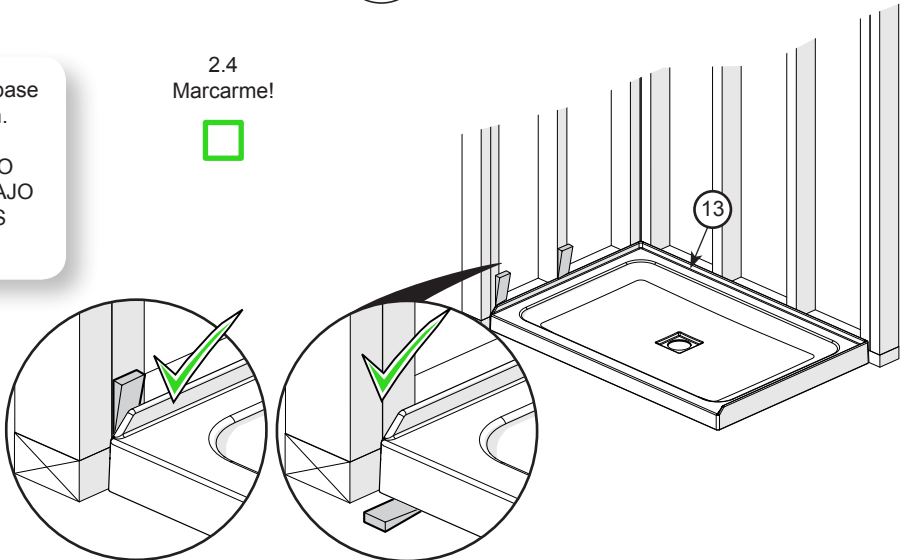


Es esencial que la base este a nivel para garantizar la verticalidad de las paredes.



Si es necesario, utilizar cuñas de madera entre la base y los montantes para mantener la base en posición.

PARA LAS BASES DE DUCHA B3 USAR EN CASO DE SER NECESARIO CUÑAS DE MADERA DEBAJO DE LA BASE PARA NIVELARLA (DEBAJO DE LAS PATAS PREFERIBLEMENTE)

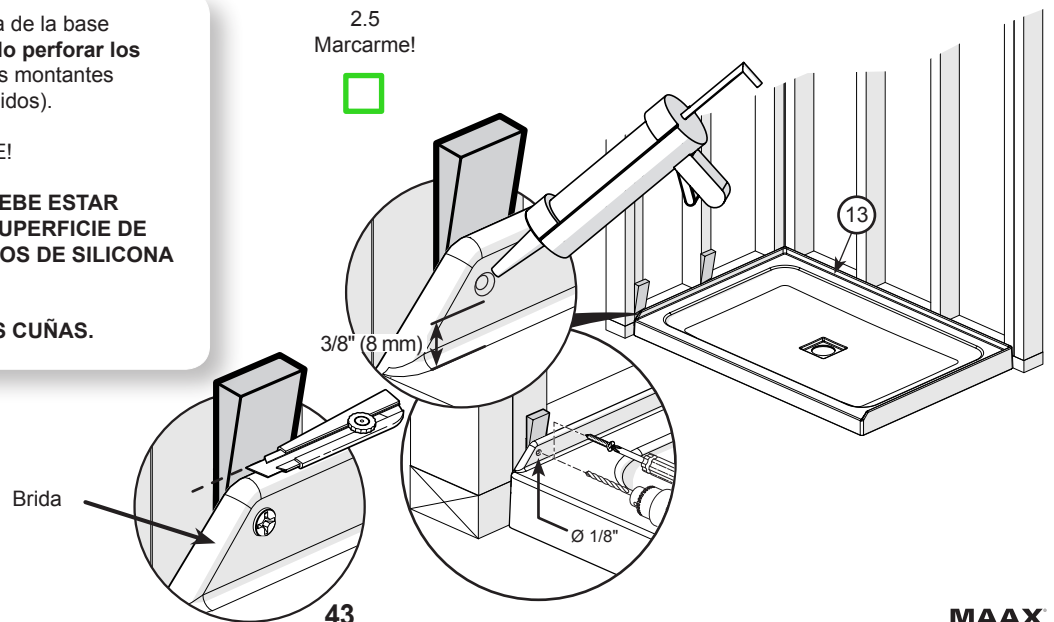


Perforar los pre-agujeros de la brida de la base solamente con una broca de 1/8". **No perforar los montantes.** Fijar la base a todos los montantes usando tornillos # 8 x 1 3/4" (no incluidos).

APRETAR A MANO ÚNICAMENTE!

CADA AGUJERO DE LA BRIDA DEBE ESTAR MÍNIMO A 8 MM (3/8 PO) DE LA SUPERFICIE DE LA BASE! LLENAR LOS AGUJEROS DE SILICONA ANTES DE ATORNILLAR

CORTAR EL EXCEDENTE DE LAS CUÑAS.



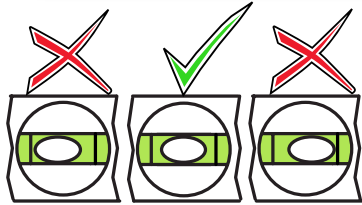
ETAPA 2

Instalación de la base (continuación) Distinct / Zone Square

BASES COMPATIBLES	No.
Distinct 4832	106350
Zone square 4832	106351
Zone square 6032	106352 - 106353

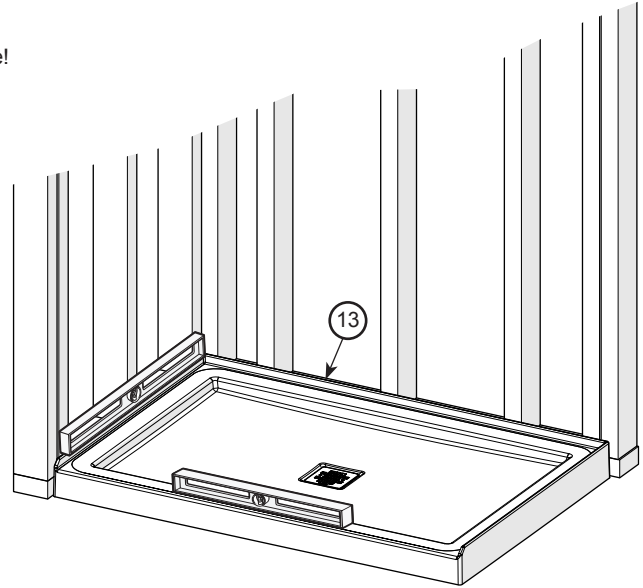
Validar cuales son los lados de la base que deben ser nivelados para que la base este completamente nivelada. En caso de necesidad, anotar sobre los montantes y el suelo.

Si la base esta completamente nivelada pasar a la etapa 2.5



Es esencial que la base este a nivel para garantizar la verticalidad de las paredes.

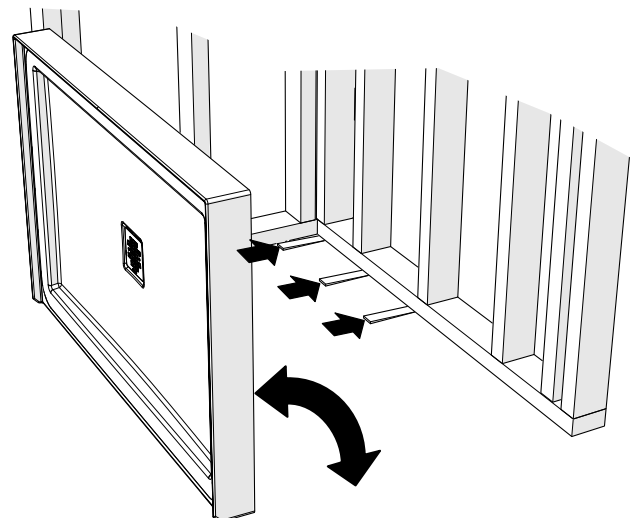
2.3
Marcarme!



2.4
Marcarme!



Levantar la base. Insertar cuñas de madera en el suelo alrededor del contorno de la base según necesidad para compensar la nivelación de la base. Bajar la base y validar la nivelación y la estabilidad de la base con el suelo. En caso de necesidad, corregir con cuñas adicionales.



ETAPA 2

Instalación de la base (continuación)

Distinct / Zone Square

Levantar la base. Colocar cemento o cuñas de madera bajo todas las patas para soportar el fondo de la base. Bajar la base y validar la nivelación y la estabilidad de la base con el suelo. En caso de necesidad, agregar más cuñas o cemento.

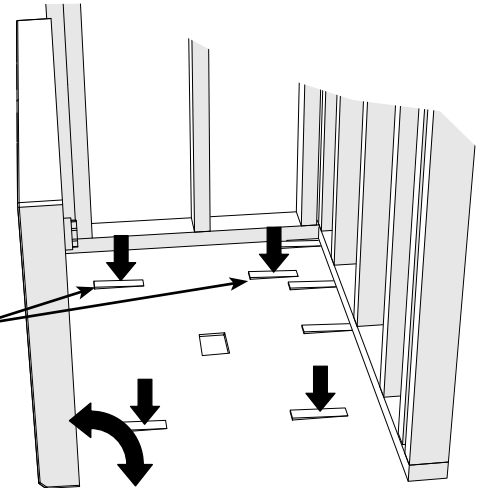
Se recomienda utilizar un plomero certificado para la conexión de drenaje.

2.5

Marcarme!

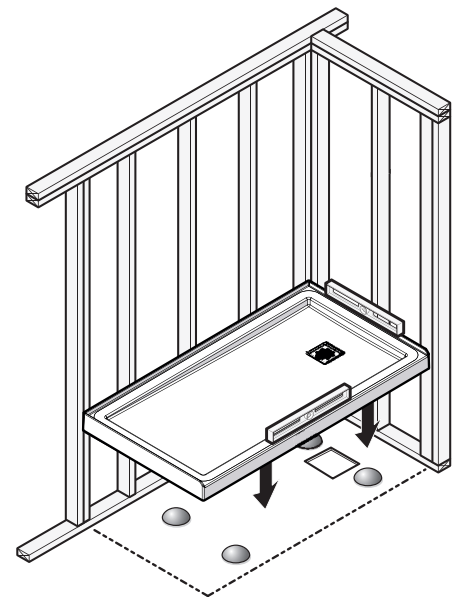
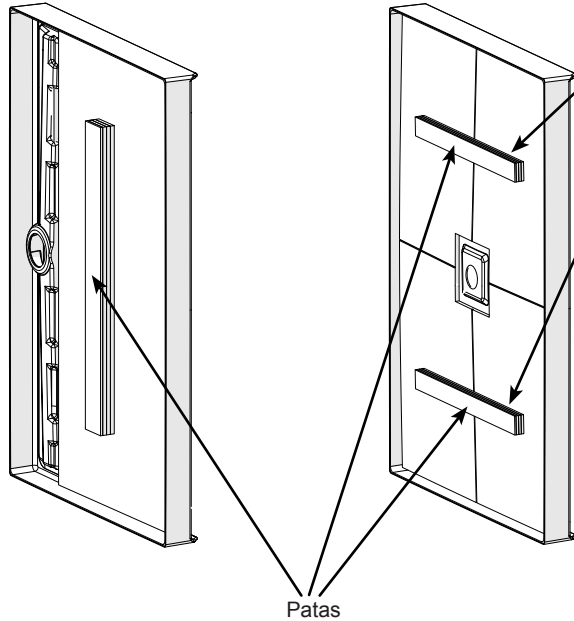


 Compruebe la posición de la pata debajo de la base para colocar las cuñas si son necesarias.



Distinct

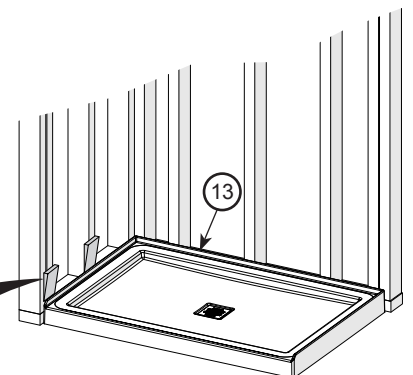
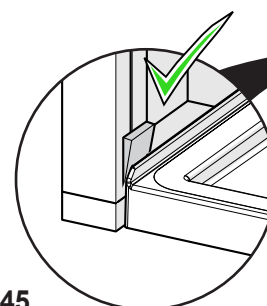
Zone Square



Si es necesario, utilizar cuñas de madera entre la base y los montantes para mantener la base en posición.

2.6

Marcarme!



ETAPA 2

Instalación de la base (continuación) Distinct / Zone Square

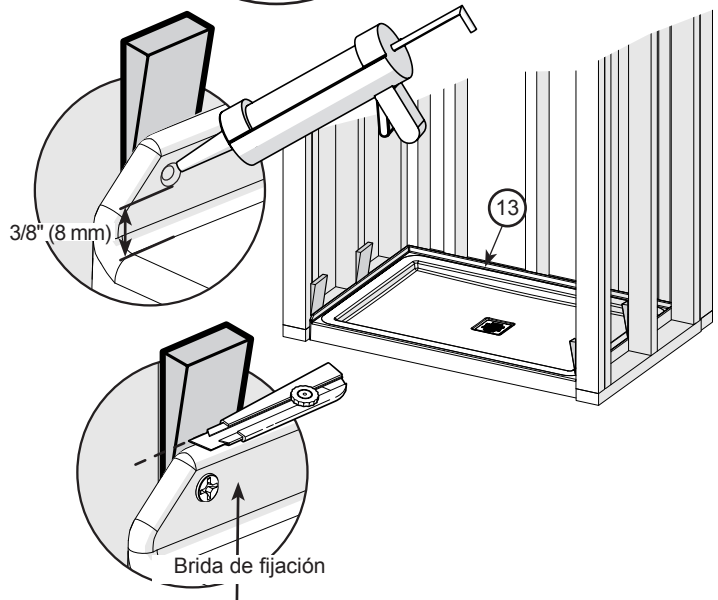
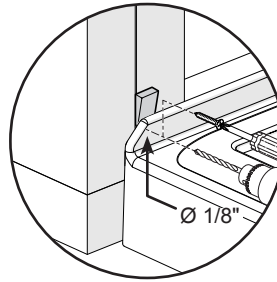
Con una broca de 1/8", perforar los agujeros de la brida de la base y fijar la base a todos los montantes usando tornillos # 8 x 1 3/4" (no incluidos). **Asegurarse de perforar solo la brida de la base y no los montantes.**

APRETAR A MANO ÚNICAMENTE!

CADA AGUJERO DE LA BRIDA DEBE ESTAR MÍNIMO A 8 MM (3/8 PO) DE LA SUPERFICIE DE LA BASE! LLENAR LOS AGUJEROS DE SILICONA ANTES DE ATORNILLAR

CORTAR EL EXCEDENTE DE LAS CUÑAS.

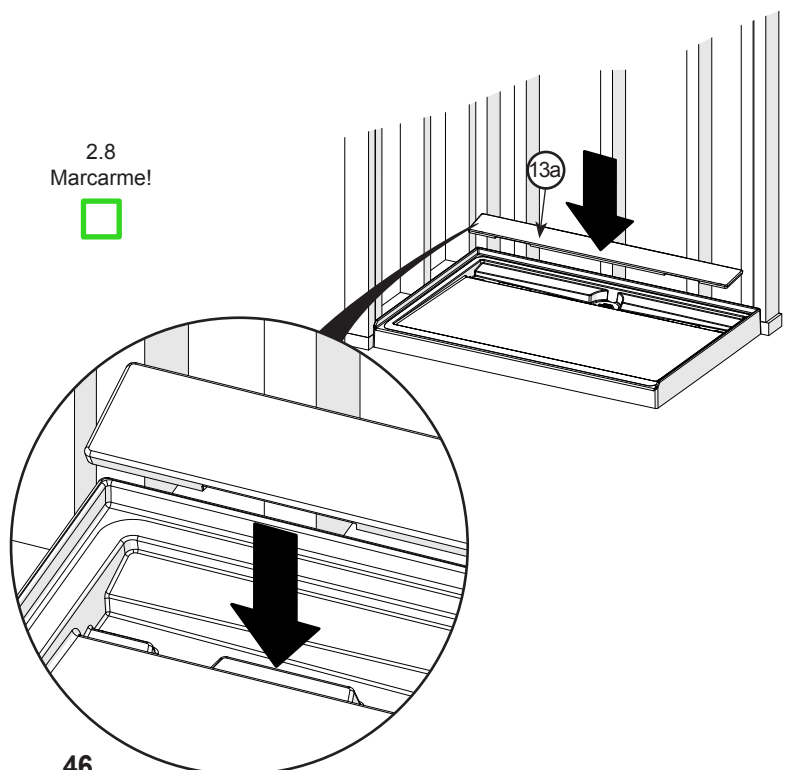
2.7
Marcarme!



Instalación de cubierta de drenaje para base Distinct 48

Insertar la cubierta del desagüe lineal (13a) como se muestra.

2.8
Marcarme!



ETAPA 3

Instalación del sistema Ulok sobre los muros



Las piezas del sistema Ulok se encuentran en las cajas de los muros laterales (un paquete por caja)



Instalar tres sujetadores en forma de X (1) en los agujeros preperforados en el lado del muro posterior (14) que será ensamblado al muro lateral con los tornillos suministrados (2).

Consejo rápido



Los sujetadores en forma de X disponen de una barra de posicionamiento para ayudar a su instalación, solo pueden ser instalados en un sentido.

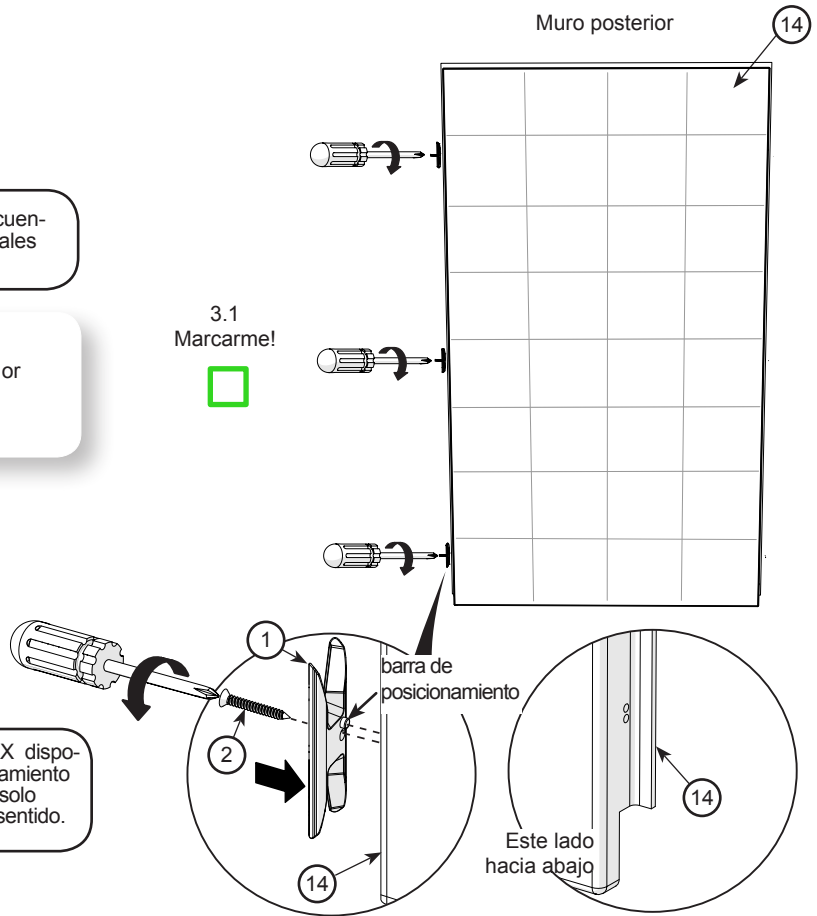
Instalar tres pasadores de retracción (3) en los agujeros pre-perforados de la pared lateral utilizando los tornillos suministrados (4).

Consejo rápido

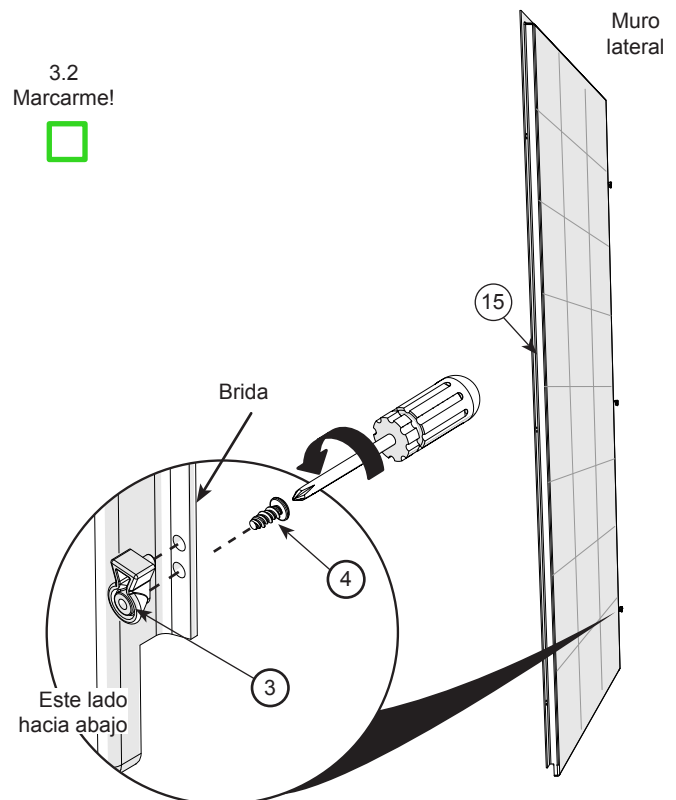


El muro lateral es intercambiable. Para instalar el muro a la izquierda, fijar los pasadores a la derecha, y para instalar el muro a la derecha, fijar los pasadores a la izquierda.

3.1 Marcarme!



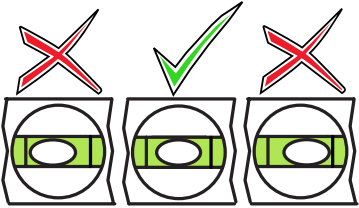
3.2 Marcarme!



ETAPA 4 Instalación temporal del muro posterior

Retirar al menos 3 o 4 pulgadas de película transparente de todos los lados de la pared posterior. Deje el resto de la película adherida a la pared.

Coloque el muro posterior (14) apoyándolo en el umbral posterior de la base y nivelarlo.



Es esencial nivelar el muro posterior para garantizar el alineamiento de los muros laterales.

Consejo rápido

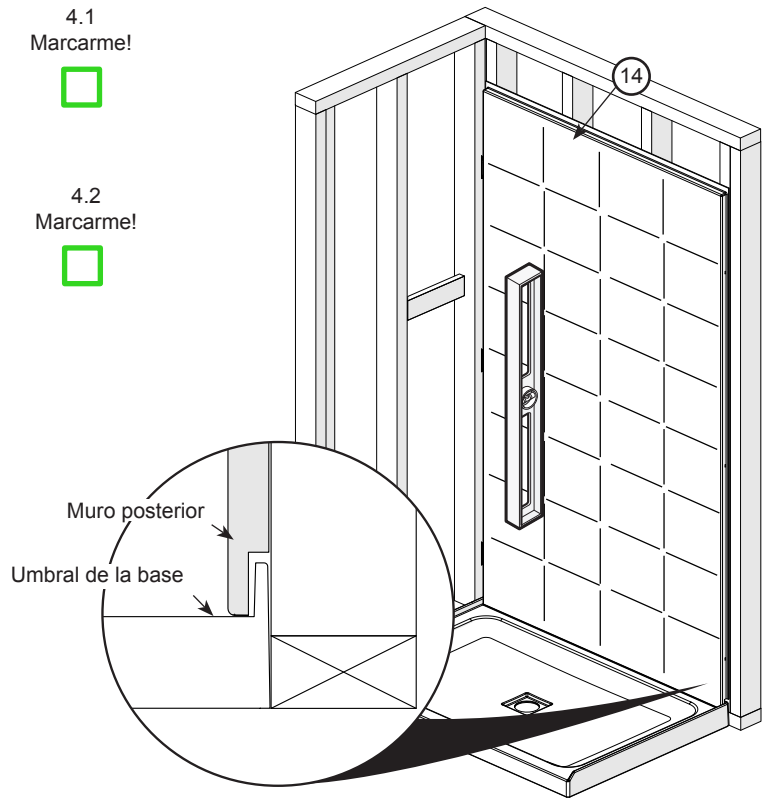


La instalación temporal de los muros garantiza su alineación correcta antes de instalarlos de manera permanente.

4.1 Marcarme!



4.2 Marcarme!



Perforar los pre-agujeros de la brida del muro posterior solamente (14) con una broca de 1/8" alineando con cada montante. **No perforar los montantes.** Fijar el muro temporalmente a un montante usando un tornillo # 8 x 1 3/4" (no incluido).

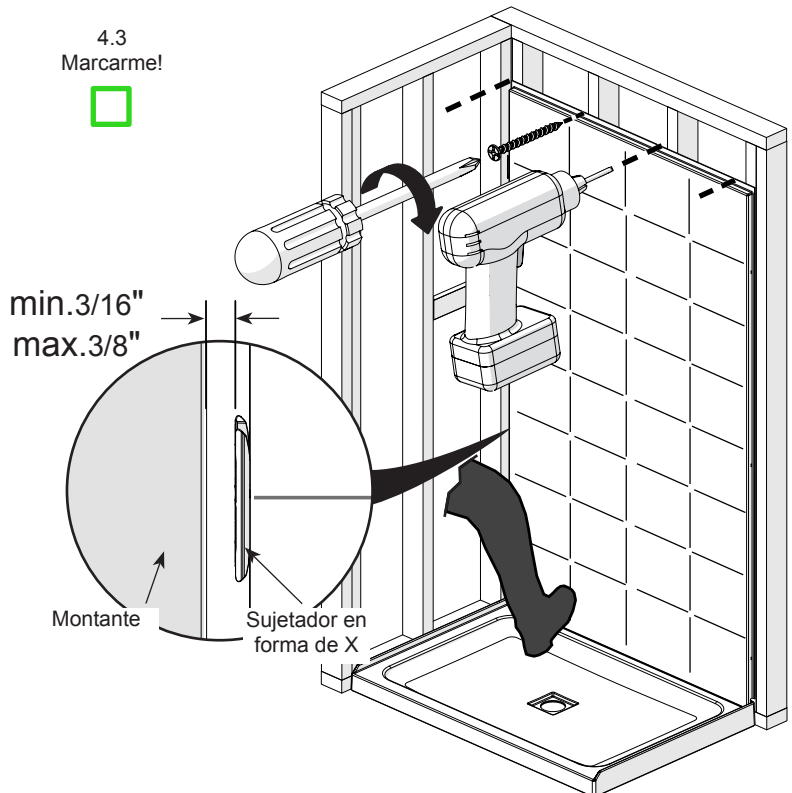
IMPORTANTE: APRETAR A MANO ÚNICAMENTE! INSTALACIÓN TEMPORAL.

Consejo rápido



Empuje la parte inferior del muro contra los montantes con el pie en el momento de atornillar el muro en su lugar.

4.3 Marcarme!



ETAPA 5 **Instalación temporal de los muros laterales**

Perforación para válvulas en muro lateral

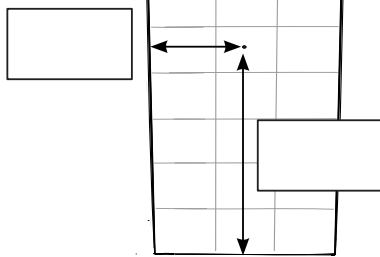
Medir la distancia entre la cara del muro posterior y el centro de la válvula. Medir a continuación la distancia entre el umbral de la base y el centro de la válvula.

Si las válvulas van a estar en el muro posterior, medir del centro del nicho al centro del muro posterior.

Pasar las medidas de la posición del hueco de la válvula y marcar sobre el muro lateral que aun no ha sido instalado. Medir a partir de la parte inferior del muro y del lado de los pasadores de retracción. Repetir esta etapa para cada hueco de válvula.



**Medir dos veces, perforar una sola vez!
Anotar las medidas aquí.**

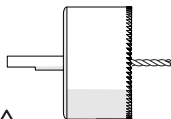


Perforar desde el frente los huecos para las válvulas: Hacer primero una pre perforación con una broca de 1/8". Usar una sierra de perforación para perforar el orificio de la válvula en el sitio marcado. Consultar la guía de instalación de la válvula para conocer el tamaño apropiado de la sierra de perforación.

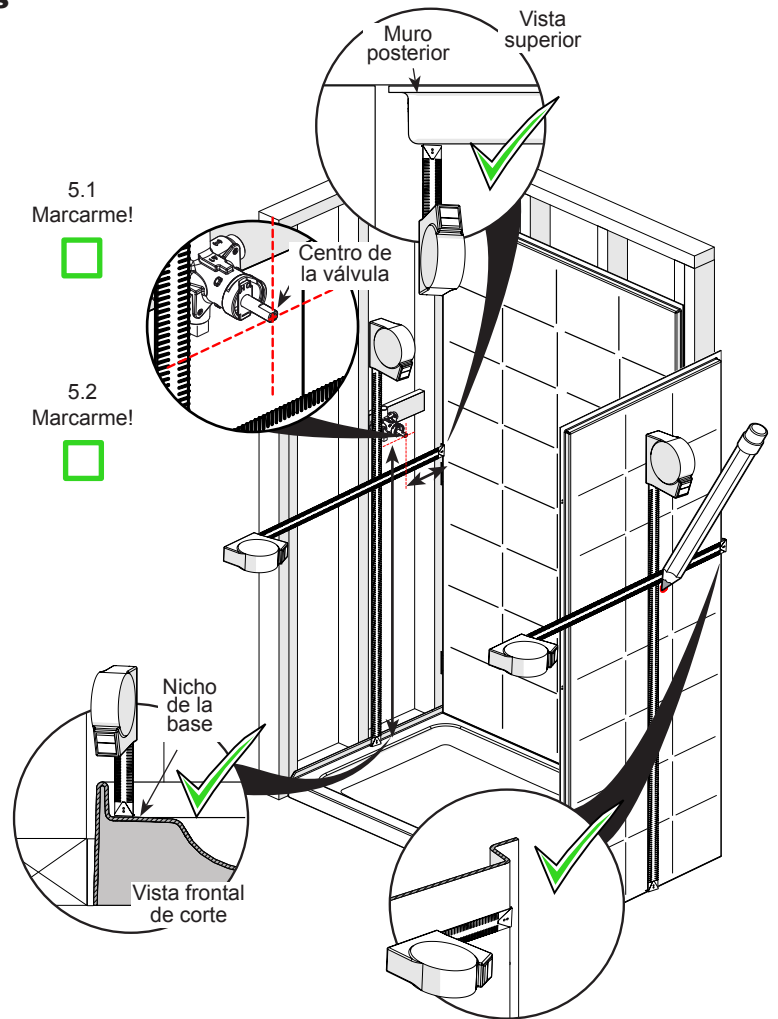
Consejo rápido



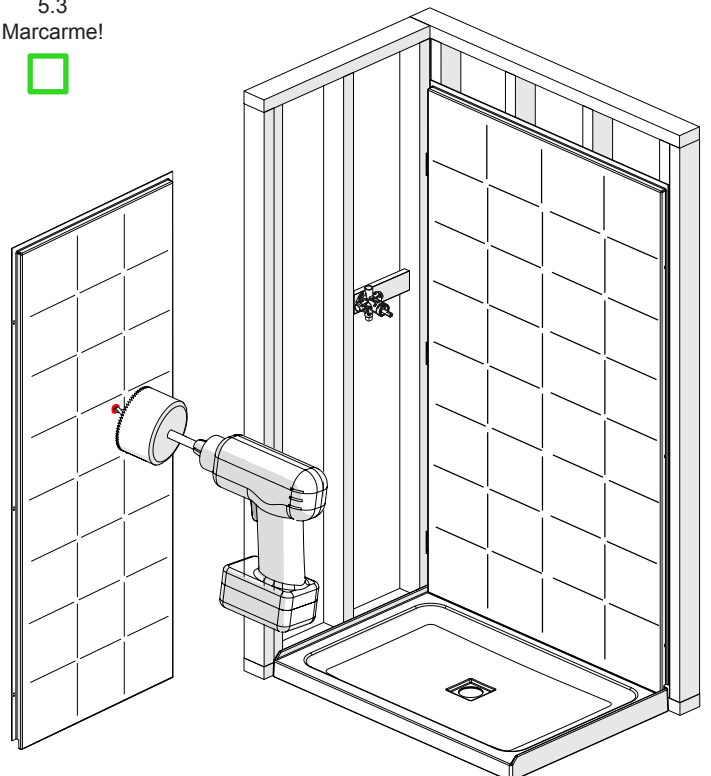
Las sierras de perforación pueden ser alquiladas en las ferreterías o en los locales de alquiler de herramientas.



Para una perforación segura: Pre-perforar siempre los agujeros y usar gafas de seguridad.



5.3 Marcarme!

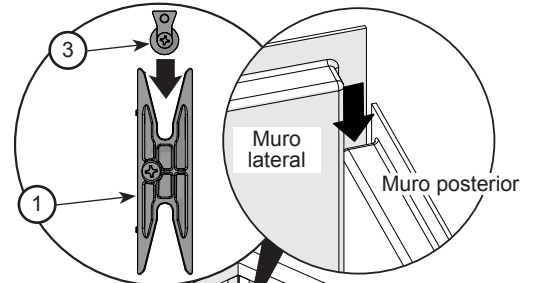


ETAPA 5

Instalación temporal de los muros laterales (continuación)

Instalar el primer muro lateral (15) en el lado opuesto de la válvula. Coloque el muro aproximadamente 3 pulgadas por encima del umbral de la base, empujando con fuerza contra el muro posterior, a continuación, bajar el muro sobre el umbral de la base.

5.4
Marcarme!

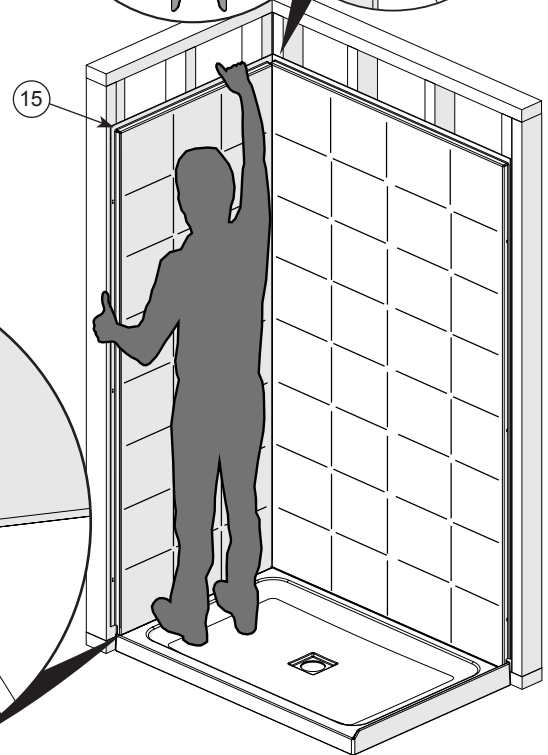
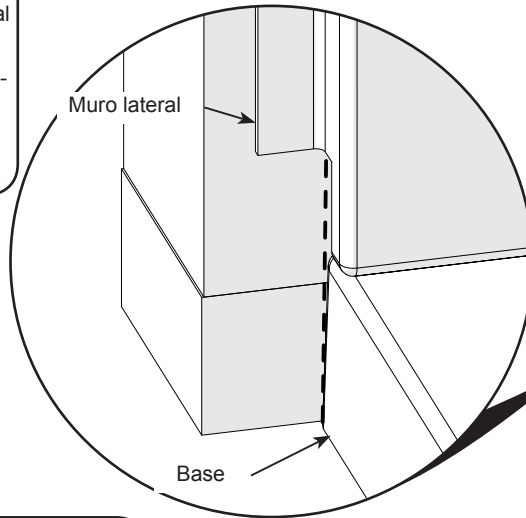


Es esencial que los pasadores estén completamente insertados en los sujetadores en X. No debe haber ningún espacio entre el muro lateral y el muro posterior.

Consejo rápido



Comprobar la verticalidad de la pared lateral usando un nivel. Si la pared no es vertical, asegurarse que los pasadores de retracción están bien insertados en los sujetadores en forma de X.



Consejo rápido



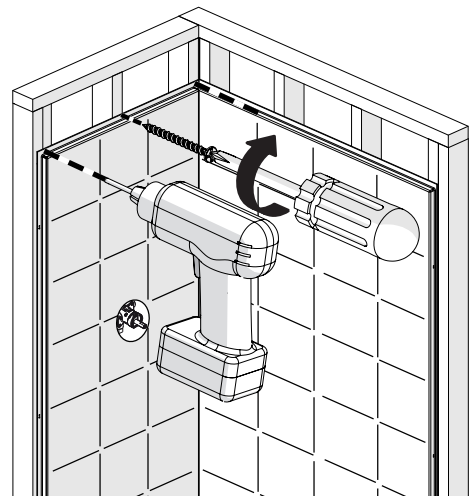
El muro lateral debe estar alineado con la parte frontal de la base. Si este no es el caso, retirar los muros e insertar cuñas de madera entre el borde posterior de la base y la estructura del nicho.

5.5
Marcarme!



Perforar los pre-agujeros de la brida del muro lateral solamente (15), con una broca de 1/8" alineando con cada montante. **No perforar los montantes.** Fijar el muro temporalmente a un montante usando un tornillo # 8 x 1 3/4" (no incluido).

IMPORTANTE: APRETAR A MANO ÚNICAMENTE! INSTALACIÓN TEMPORAL.



ETAPA 6 Instalación final del muro posterior

Retirar todos los muros de la estructura.

Limpia la base y aplica una línea de silicona en el umbral de la base a $\frac{3}{8}$ " de la brida trasera. Aplica silicona sobre toda la longitud trasera y alrededor de 1 pulgada por lado.

Levanta y coloca en su lugar el muro posterior (sin deslizarlo) directamente sobre la silicona. Asegúrate que el muro posterior (14) está a nivel, agrega cuñas de madera en caso de ser necesario. Fija el muro a todos los montantes con tornillos #8 x $1\frac{3}{4}$ " (no incluidos).

IMPORTANTE: APRETAR A MANO ÚNICAMENTE! INSTALACIÓN TEMPORAL.



Para asegurar la instalación de los muros laterales, debe haber un espacio mínimo de $\frac{3}{16}$ " y un máximo de $\frac{3}{8}$ " entre los montantes y los sujetadores en X.

Consejo rápido



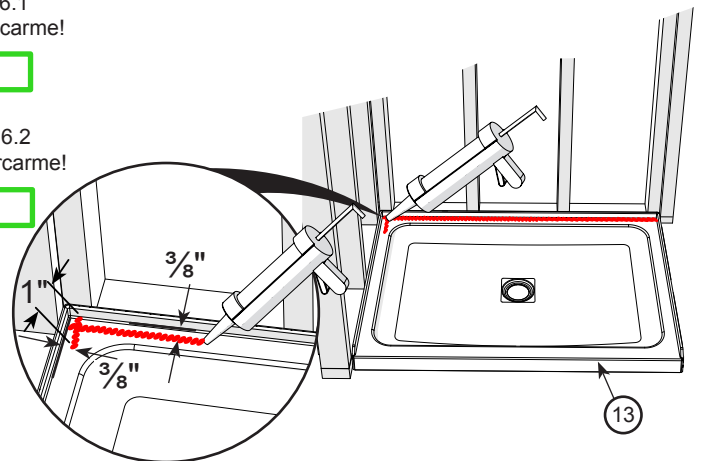
Empuje la parte inferior del muro contra los montantes con el pie en el momento de atornillar el muro en su lugar.

De cada lado de la base (13) aplica una línea de silicona sobre toda la longitud del umbral, a $\frac{1}{4}$ " de la brida. Aplica también una línea de silicona de arriba hasta abajo del muro posterior (14), sobre la superficie frontal y al borde redondeado. **En la unión entre el muro posterior y la base las líneas de silicona deben encontrarse.**

6.1 Marcarme!



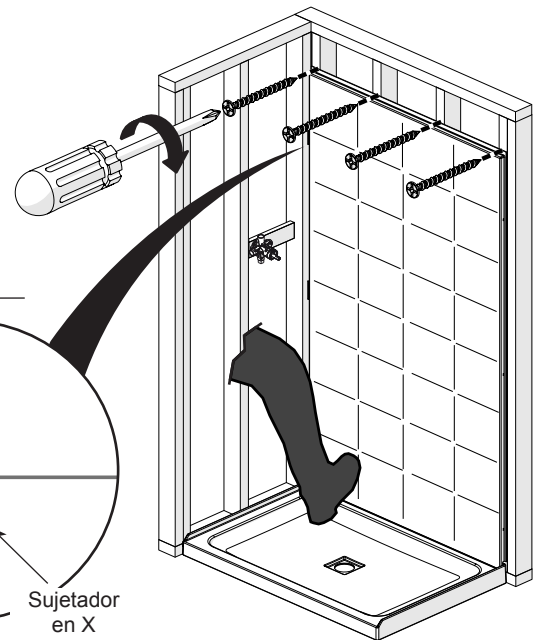
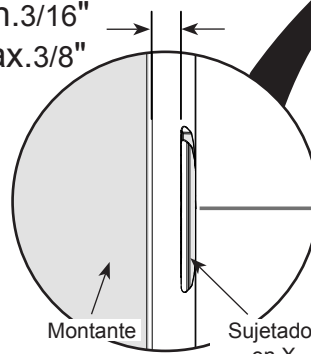
6.2 Marcarme!



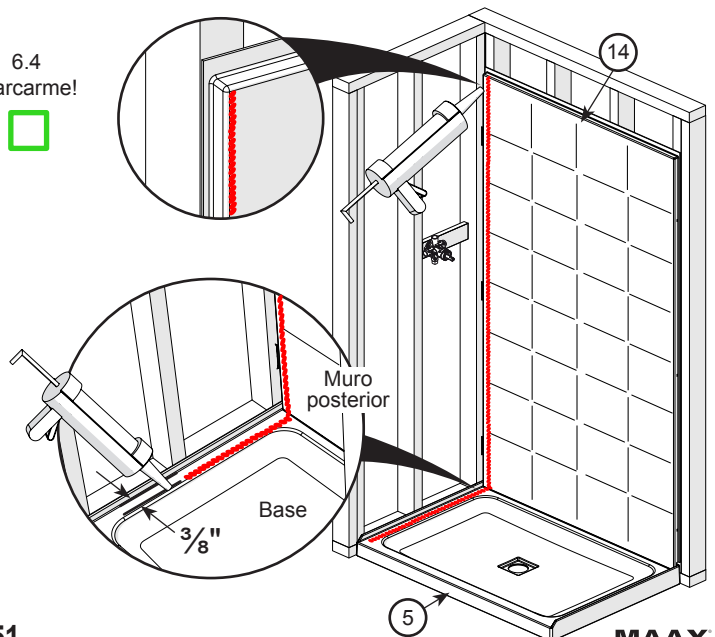
6.3 Marcarme!



min. $\frac{3}{16}$ "
max. $\frac{3}{8}$ "



6.4 Marcarme!

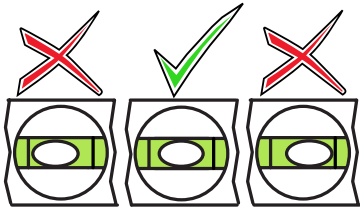
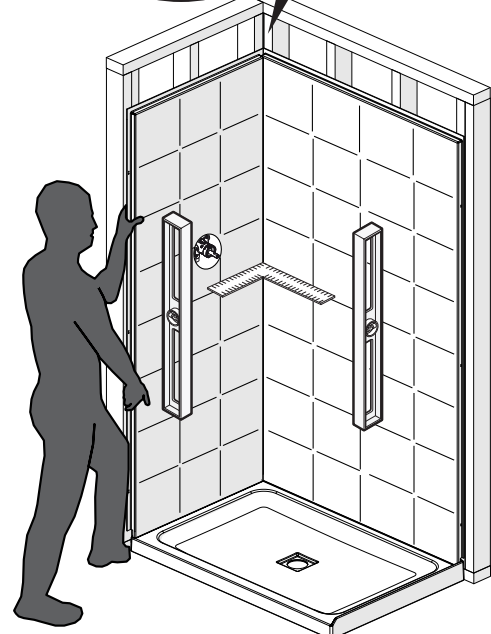
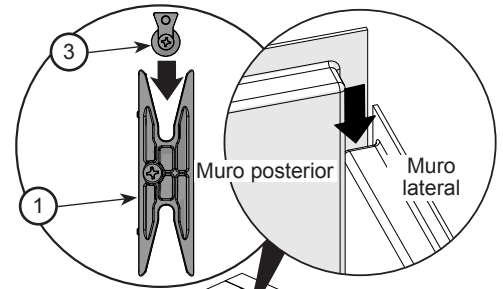


ETAPA 7 Instalación final de los muros laterales


Instalar el muro lateral (15). Poner el muro a aproximadamente 3" por encima del umbral de la base, empujarlo a fondo contra el muro posterior y descenderlo sobre el umbral de la base.

RETIRAR EL EXCESO DE SILICONA.

7.1
Marcarme!





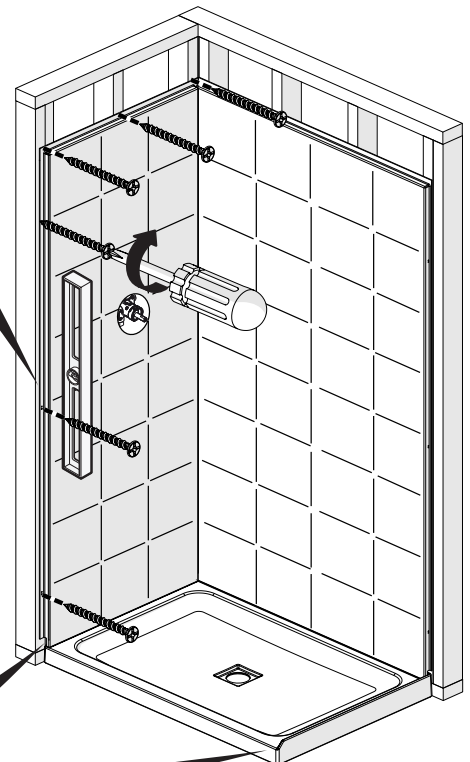
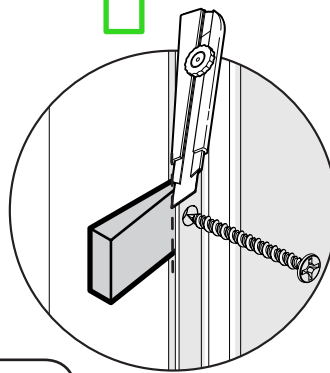
 **ANTES DE CONTINUAR, ASEGURARSE QUE TODOS LOS MUROS ESTÁN A ESCUADRA Y VERTICALES.**

7.2
Marcarme!


Fijar el muro lateral a todos los montantes con tornillos #8 x 1-3/4" (no incluidos). Asegurar el muro utilizando los agujeros pre-perforados de la brida. En caso de ser necesario, usar cuñas de madera para asegurarse que el muro esta a nivel y vertical. (Cortar el exceso de cuñas)

IMPORTANTE: APRETAR A MANO UNICAMENTE. NO APRETAR DEMASIADO LOS TORNILLOS.

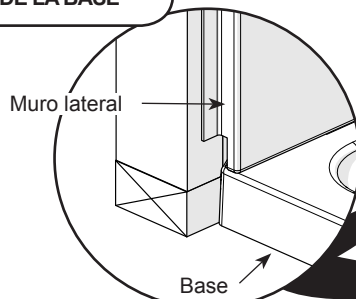
7.4
Marcarme!




Consejo rápido



EL MURO LATERAL TIENE QUE ESTAR BIEN ALINEADO CON EL FRENTE DE LA BASE

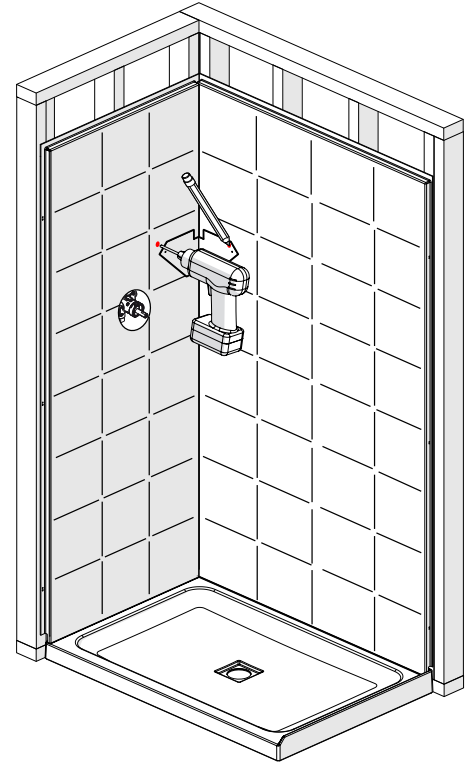
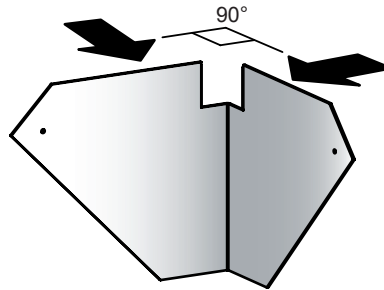
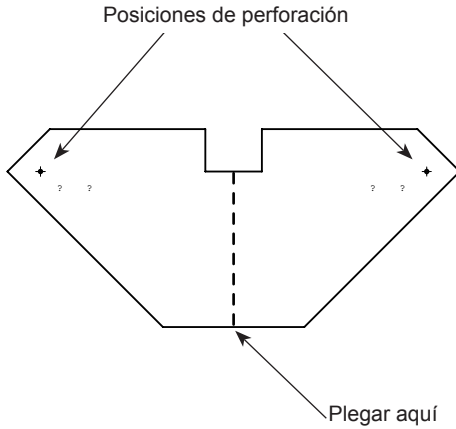


ETAPA 8

Marcado y la perforación de agujeros para la repisa

Poner la plantilla de perforación en la esquina de la ducha, en la ubicación deseada. deslizar la plantilla hasta que los agujeros estén a la altura deseada para la repisa. Marcar la ubicación de los agujeros para perforación. Perforar los agujeros con una broca de 9/64".

Marcarme!



ETAPA 9

Silicona

Aplicar una línea de silicona sobre toda la longitud de las uniones (muro a muro y muro a base). Para un buen acabado, retirar el exceso de silicona con un trapo humedo o un dedo humedecido.

 Retirar la película de protección de los muros

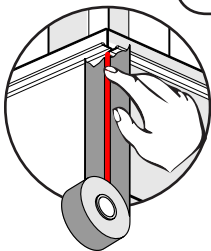
Marcarme!



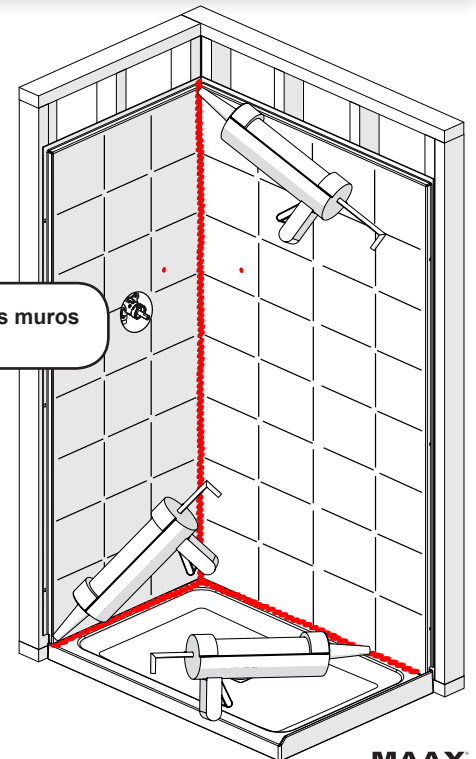
Consejo rápido



Aplicar cinta de enmascarar de cada lado de la unión donde la silicona será aplicada. Aplicar la silicona, emparejar con un dedo humedecido, a continuación retirar la cinta.

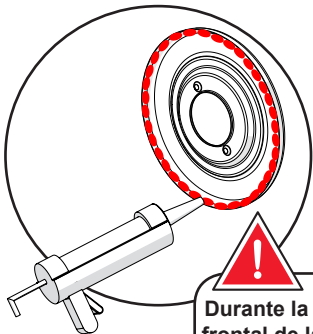


 Toda grifería instalada sobre los muros debe ser sellada con silicona.



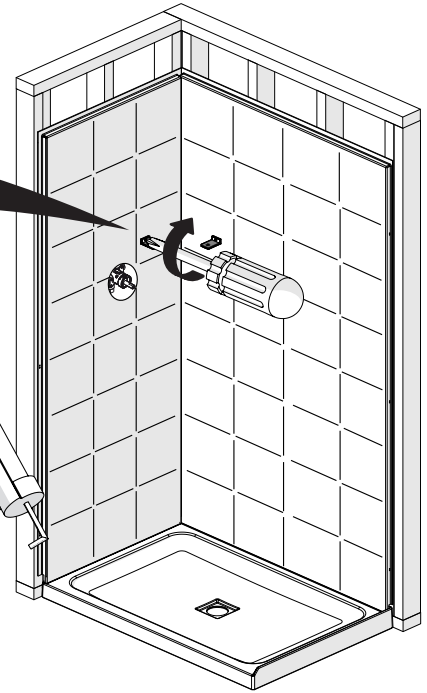
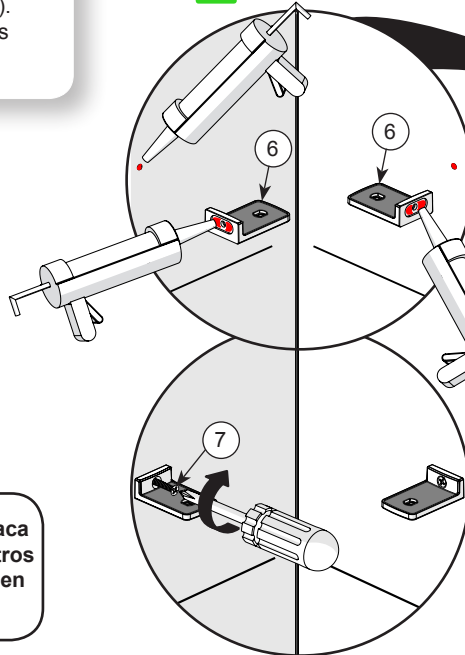
ETAPA 10 Instalación de la repisa

Aplicar silicona en los agujeros del muro lateral y del muro posterior que servirán para instalar la repisa. Aplicar silicona detras de los soportes de repisa (6). Fijar los soportes a los muros utilizando los tornillos suministrados (7).



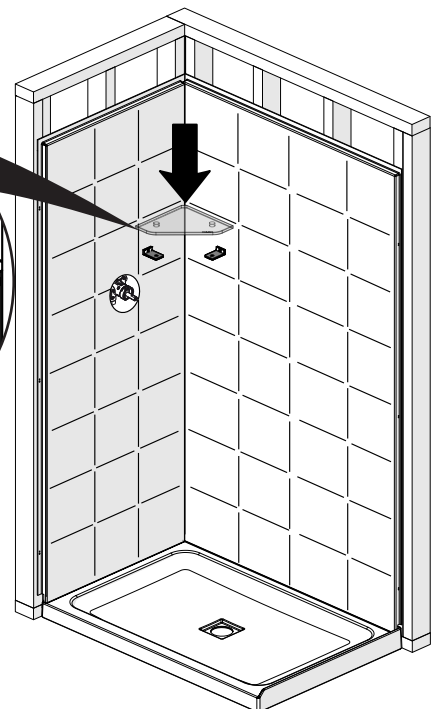
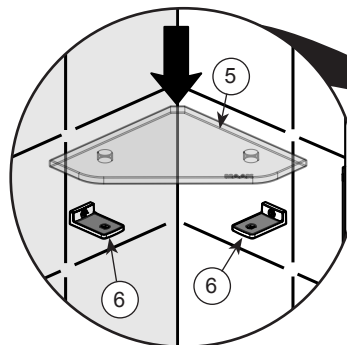
Durante la instalación de la placa frontal de la válvula o de los otros componentes, aplicar silicona en el borde exterior.

10.1 Marcarme!



Limpiar la parte en caucho por encima de los soportes con un trapo humedo. Colocar a continuación la repisa (5) sobre los soportes (6).

10.2 Marcarme!



Consejo rápido

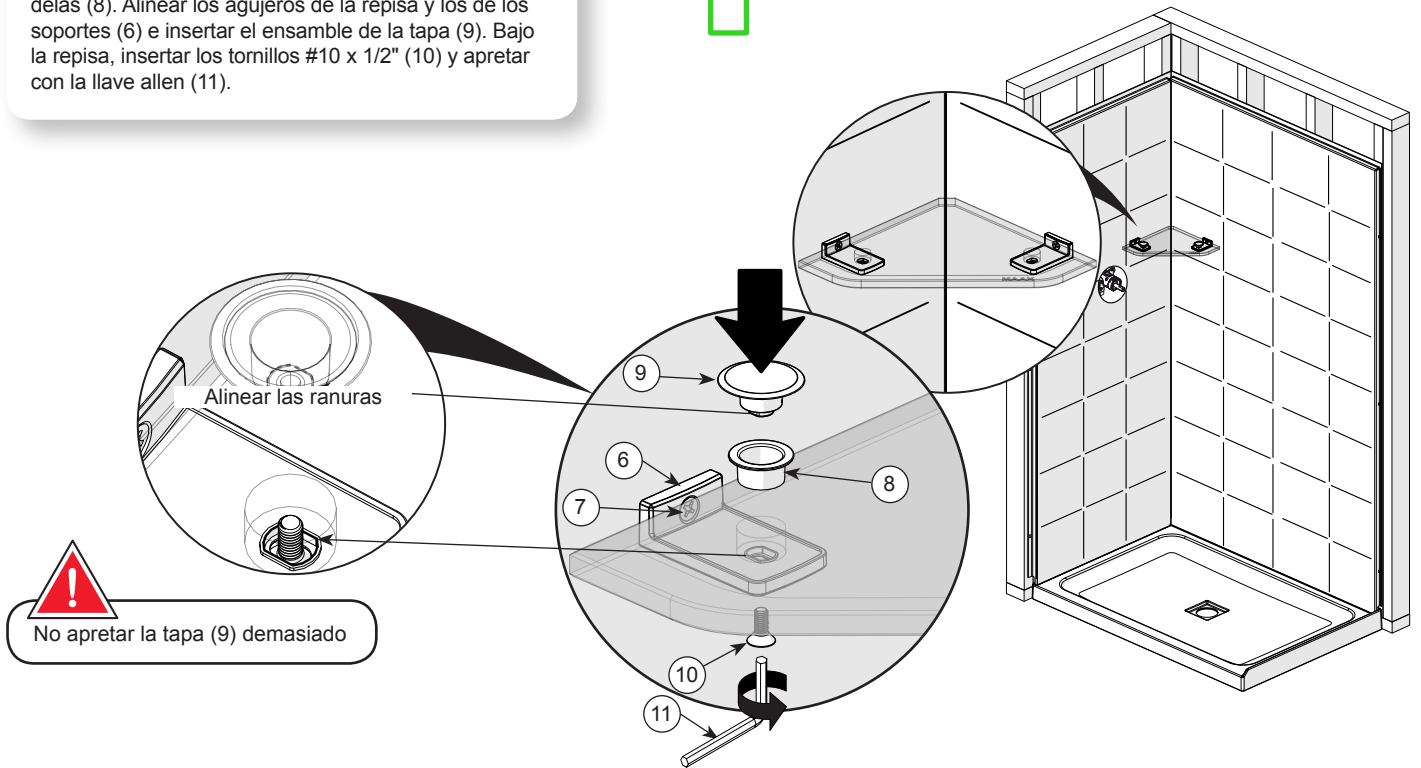


La repisa esta en la posición correcta si es posible leer el logo de MAAX.

ETAPA 10 Instalación de la tableta (continuación)

Insertar las tapas de fijación de la repisa (9) en las arandelas (8). Alinear los agujeros de la repisa y los de los soportes (6) e insertar el ensamble de la tapa (9). Bajo la repisa, insertar los tornillos #10 x 1/2" (10) y apretar con la llave allen (11).

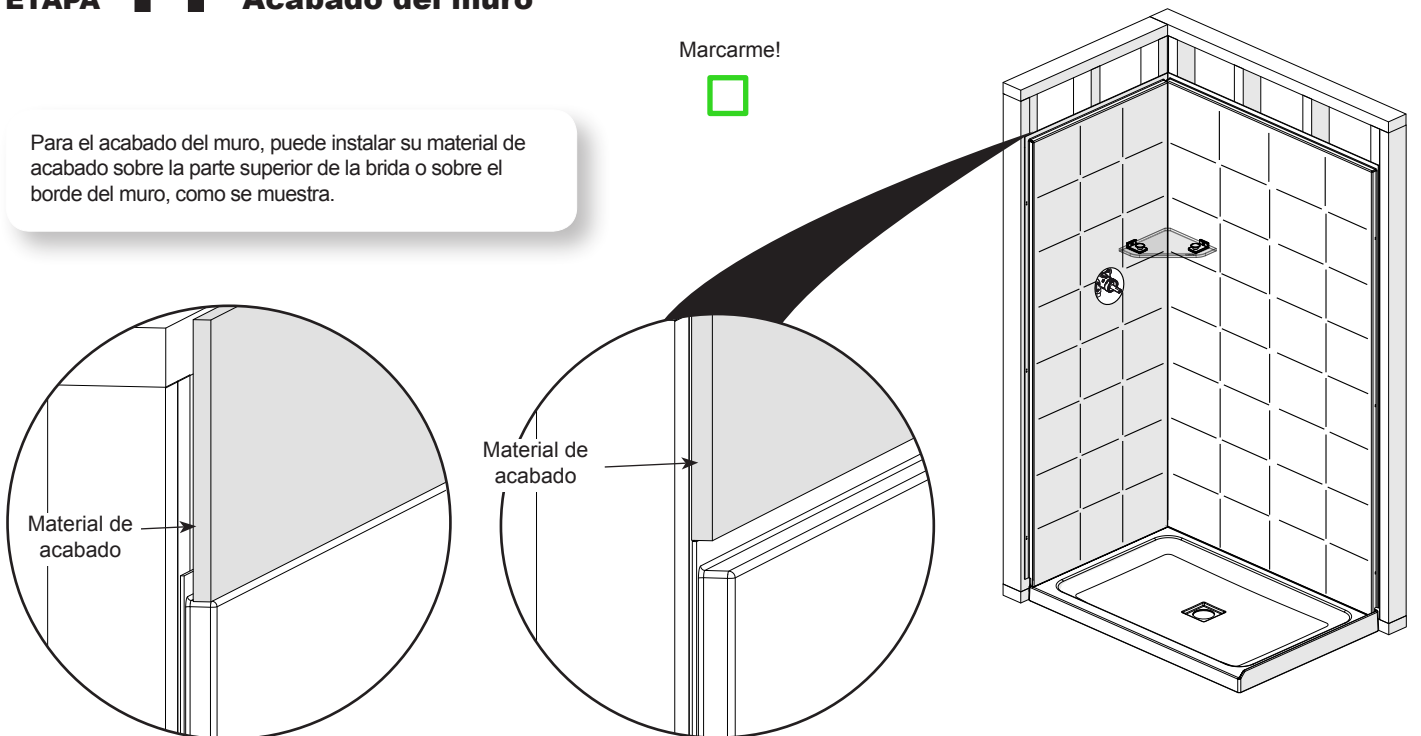
10.3
Marcarme!



ETAPA 11 Acabado del muro

Para el acabado del muro, puede instalar su material de acabado sobre la parte superior de la brida o sobre el borde del muro, como se muestra.

Marcarme!



Consejos de mantenimiento

MAAX concibe y fabrica sus productos usando **materiales durables de alta calidad y con tecnologías de punta** con el fin de reducir el tiempo de limpieza y mantenimiento.

Sin embargo, es esencial efectuar el mantenimiento de manera frecuente y adecuada.

He aquí algunas recomendaciones generales para el uso y mantenimiento, además de las recomendaciones específicas para su producto MAAX. Le recomendamos que las siga para proporcionar años de agradable uso.



Mantenimiento de los muros Utile / Bañera / base de ducha / puerta de ducha

- ☒ **Limpiar frecuentemente** con un limpiador en aerosol en crema no abrasivo.
- ☒ **Nunca usar limpiadores para cerámica o juntas de lechada.** Esos productos son inapropiados para los productos Utile y podrían dañar la unidad.
- ☒ **Nunca usar un limpiador abrasivo, un raspador, una esponjilla metálica** ni ninguna otra herramienta o producto que pueda rayar o empañar la superficie de su unidad MAAX.
- ☒ Para evitar dañar el acabado de la unidad, retirar los **residuos de yeso** que podrían depositarse sobre las superficies después de efectuar trabajos con una espátula en plástico o en madera envuelta en un trapo humedo.
- ☒ **Secar la puerta de ducha después de cada uso** con una esponja o un trapo suave para reducir la acumulación de jabón, de aditivos de baño, de aceites corporales naturales y de minerales presentes en el agua. Esto facilitará la limpieza y ayudará a conservar el brillo natural de su producto.
- ☒ **Reparar las fisuras o daños inmediatamente** con la ayuda del kit de reparación MAAX para los productos Utile. Para más información, contactar el servicio a la clientela al **1-877-GET-MAAX (1-877-438-6229)**.



LIMITED WARRANTY

MAAX Bath Inc. (hereafter "MAAX") offers an express limited warranty on each of its products. This warranty extends only to the original owner/end-user for personal household use. For commercial uses, additional limitations apply.

MAAX warrants U tile wall units to be free of all material or workmanship defects under normal use and service for a period of ten (10) years from the initial date of purchase by the owner/end-user, contractor or builder from an authorized dealer.

This warranty extends to the original consumer owner, but does not cover installation or any other labour charges.

Except in the case of MAAX products with pre-plumbed fixtures, MAAX shall in no event be liable for damages of any kind when the installation of jets or any other fixtures related to the product is done by the customer or the customer appointed installer.

MAAX reserves the right to modify this warranty at any time, it being understood that such modification will not alter the warranty conditions applicable at the time of the sale of the products in question.

In order to obtain service provided under this warranty during regular business hours, contact the dealer or distributor who sold the unit, or MAAX directly.

For more information on MAAX's limited warranty, please visit www.maax.com.

GARANTIE LIMITÉE

MAAX Bath Inc. (ci-après "MAAX") offre une garantie limitée expresse sur chacun de ses produits. Cette garantie s'adresse uniquement au propriétaire/utilisateur original pour un usage personnel domestique. Des restrictions additionnelles s'appliquent aux utilisations commerciales.

MAAX garantit les unités U tile contre tout défaut de matière ou de fabrication dans des conditions normales d'utilisation et d'entretien pour une période de dix (10) ans à compter de la date d'achat initial du produit par le propriétaire/utilisateur, l'entrepreneur ou le constructeur auprès d'un distributeur agréé.

La présente garantie s'applique au consommateur ou utilisateur initial, mais elle ne s'applique pas à l'installation ou à tout autre frais de main-d'oeuvre.

Sauf dans le cas des produits MAAX munis d'accessoires pré-assemblés, MAAX en aucun cas ne sera responsable de tout dommage de quelque nature que ce soit découlant de l'installation des jets ou de tout autre accessoire associé au produit réalisée par le client ou un installateur désigné par le client.

MAAX se réserve le droit de modifier cette garantie en tout temps; il est entendu que de telles modifications ne changeront pas les conditions de la garantie applicable au moment de la vente des produits en cause.

Pour se prévaloir du service offert en vertu de la présente garantie pendant les heures normales d'ouverture, communiquer avec le détaillant ou le distributeur qui a vendu le produit, ou encore avec MAAX directement.

Pour plus de détails concernant la garantie limitée de MAAX, consulter le www.maax.com.

GARANTÍA LIMITADA

MAAX Bath Inc. (a continuación "MAAX") ofrece un garantía limitada expresa para cada uno de sus productos. Esta garantía va dirigida únicamente al propietario o al usuario original para un uso personal doméstico. En caso de uso comercial, se aplican otras restricciones.

MAAX garantiza las unidades U tile contra cualquier defecto de material o de fabricación en condiciones normales de utilización y mantenimiento durante un periodo de diez (10) años a partir de la fecha de compra original del producto por parte del propietario o usuario, el contratista o el constructor en un comercio minorista autorizado.

La presente garantía se extiende al consumidor o usuario original, pero no se aplica a la instalación o a cualquier otro costo de mano de obra.

Salvo en el caso de productos de MAAX con accesorios de plomería pre-instalados, MAAX no será responsable bajo circunstancia alguna por ningún tipo de daño cuando la instalación de los chorros (jets) o de cualquier otro accesorio relacionado con el producto sea realizada por el cliente mismo o por un instalador designado por el cliente.

MAAX se reserva el derecho de modificar esta garantía en cualquier momento; se sobreentiende que dichas modificaciones no cambiarán las condiciones de la garantía que se apliquen en el momento de la venta de los productos en cuestión.

Para obtener el servicio que se ofrece según lo dispuesto en la presente garantía durante el horario de atención normal, deberá comunicarse con el comercio o distribuidor que le haya vendido el producto, o directamente con MAAX.

Para obtener mayor información sobre la garantía limitada de MAAX, consulte el sitio www.maax.com.

Vivez l'expérience
MAAX[®]
Enjoy the experience

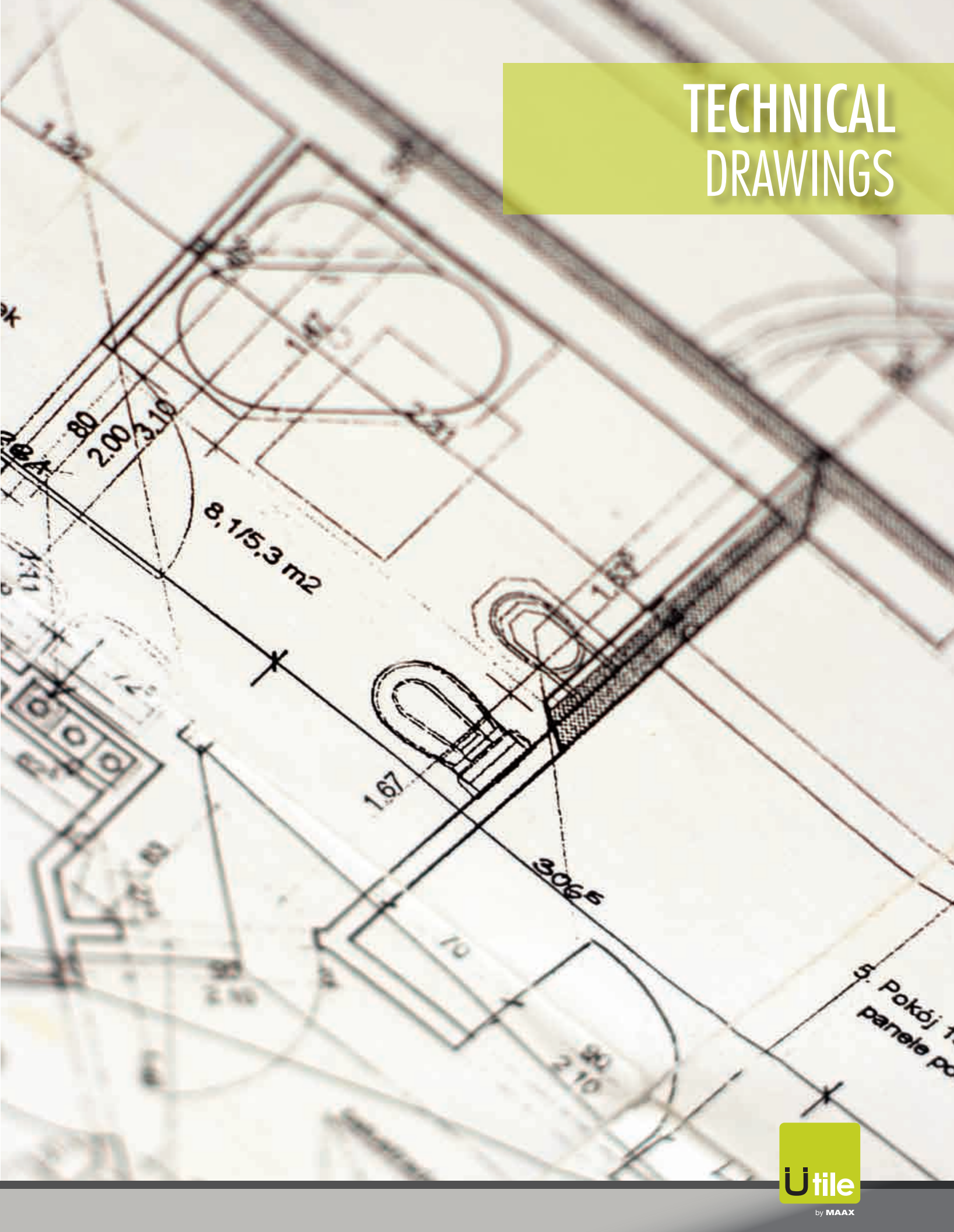
Technical Services / Service technique / Servicio técnico

T. 1 877 GET-MAAX (1 877 438-6229)

F. 1 888 361-2045

www.maax.com

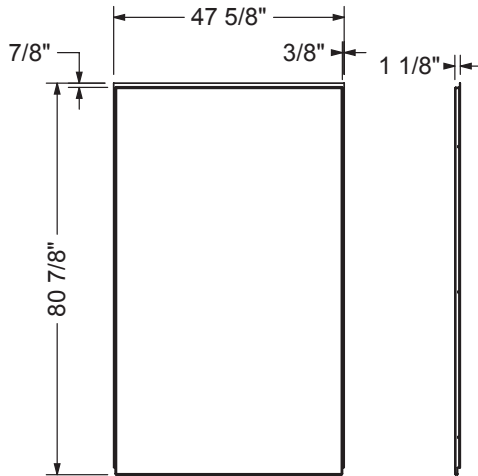
TECHNICAL DRAWINGS



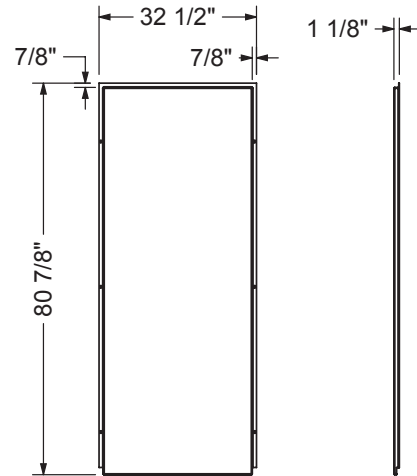
Utile Shower Unit

Shower 48" x 32"

BACK WALL

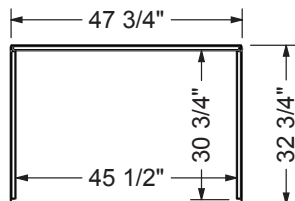


SIDE WALL

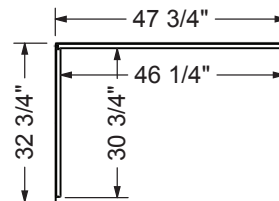


TOP VIEW (ASSEMBLED)

ALCOVE



CORNER



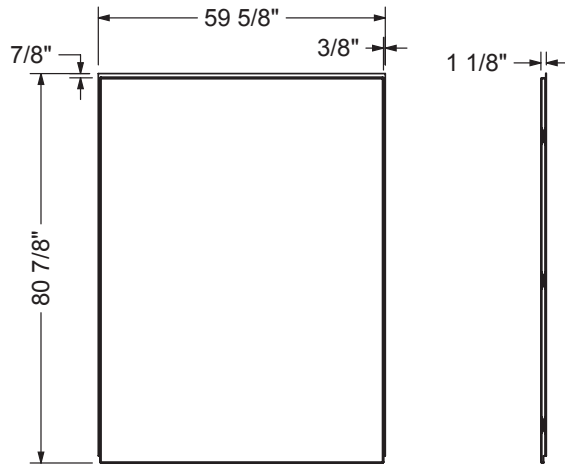
This product is designed to be installed in a building that conforms with the requirements of the National Building Code of Canada 2005

All dimensions are approximate. Structure measurements must be verified against the unit to ensure proper fit.

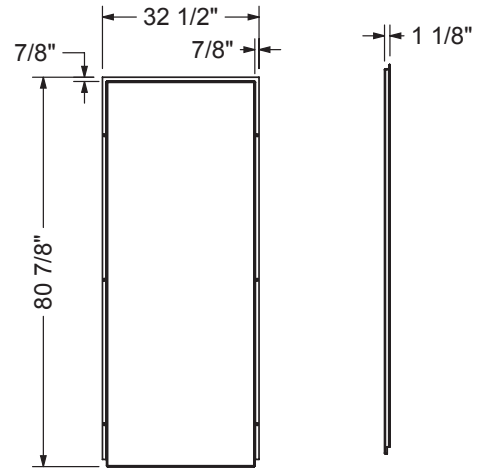
Utile Shower Unit

Shower 60" x 32"

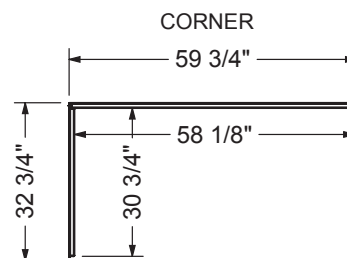
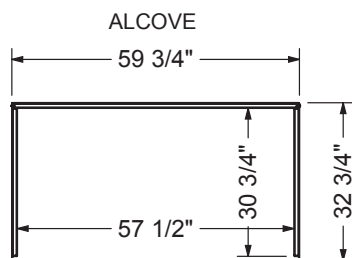
BACK WALL



SIDE WALL



TOP VIEW (ASSEMBLED)

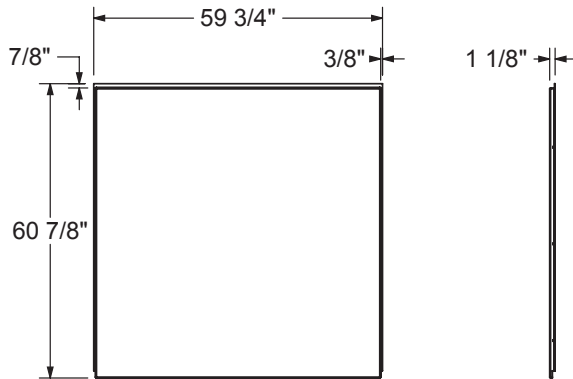


This product is designed to be installed in a building that conforms with the requirements of the National Building Code of Canada 2005
 All dimensions are approximate. Structure measurements must be verified against the unit to ensure proper fit.

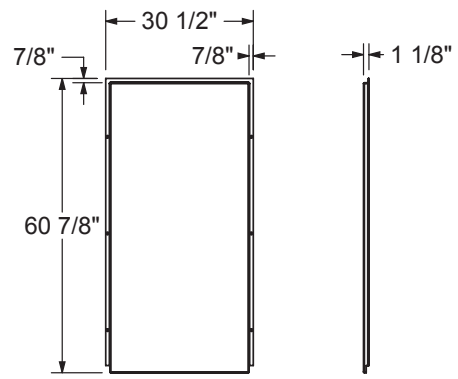
Utile Tub Shower Kit

Tub Shower 60" x 30"

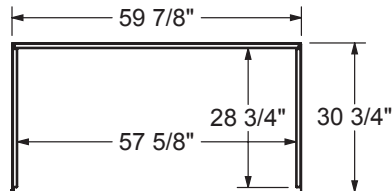
BACK WALL



SIDE WALL



TOP VIEW (ASSEMBLED)



This product is designed to be installed in a building that conforms with the requirements of the National Building Code of Canada 2005

All dimensions are approximate. Structure measurements must be verified against the unit to ensure proper fit.