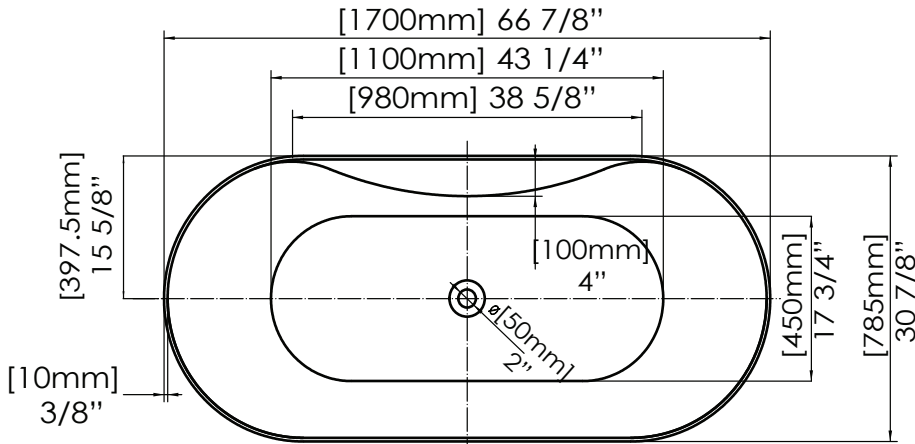


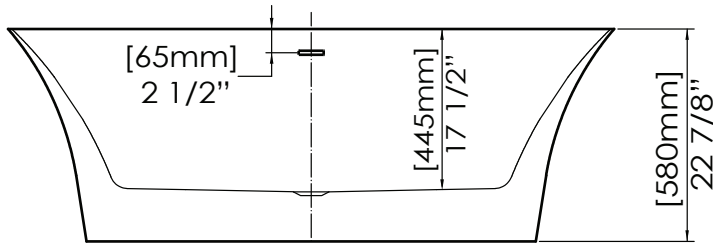


**A&E Bath and Shower**  
 6400A St. Jacques West  
 Montrea, QC, Canada  
 H4B 1T6  
 www.aebath.com

Model Modèle: BT-2590  
*Freestanding bathtub*  
*Baignoire autoportante*



TOP VIEW VUE DE DESSUS



FRONT VIEW VUE DE FACE



\* Dimensions may vary +/- 1/4" (6mm) / Les dimensions peuvent varier de +/- 1/4" (6mm)

gallons to overflow /	62 gal.
packaging dimension /	69 x 33 x 24 in
approximated weight /	120 lbs
weight with water /	601 lbs
bathing well at sump /	43 1/4 x 17 3/4 in
bathing well at rim /	66 1/2 x 30 1/2 in

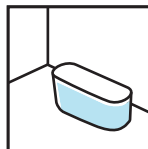


**Compliance Certifications:**

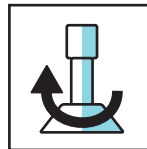
Uniform Plumbing Code  
 National Plumbing Code of Canada  
 CSA B45.5-17/IAPMO Z124-2017



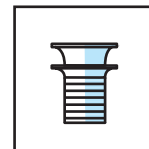
Pure acrylic construction reinforced by fiberglass  
*Construction en acrylique renforcée de fibre de verre*



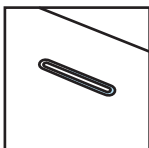
Freestanding installation  
*Installation autoportante*



Adjustable feet  
*Pattes ajustables*



Chrome drain included  
*Drain chrome inclus*



Integrated chrome linear overflow  
*Trop plein linéaire chrome intégré*



CUPC certified  
*Certifié CUPC*