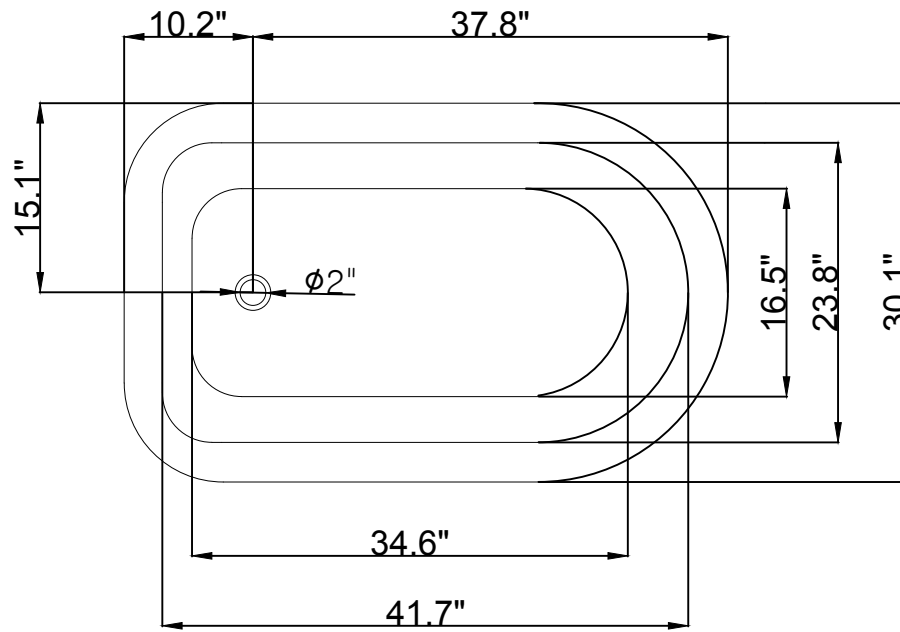
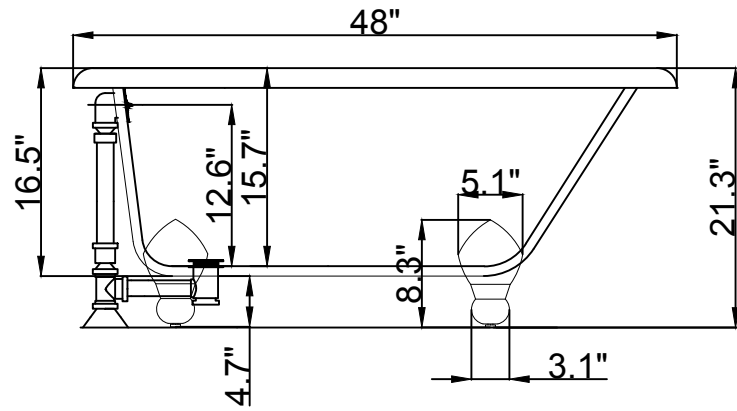




Streamline



R-5101-48CICFWH-FM