



ASSEMBLY GUIDE
GUIDE DE MONTAGE
GUÍA DE MONTAJE

VEG FARM PLANTER

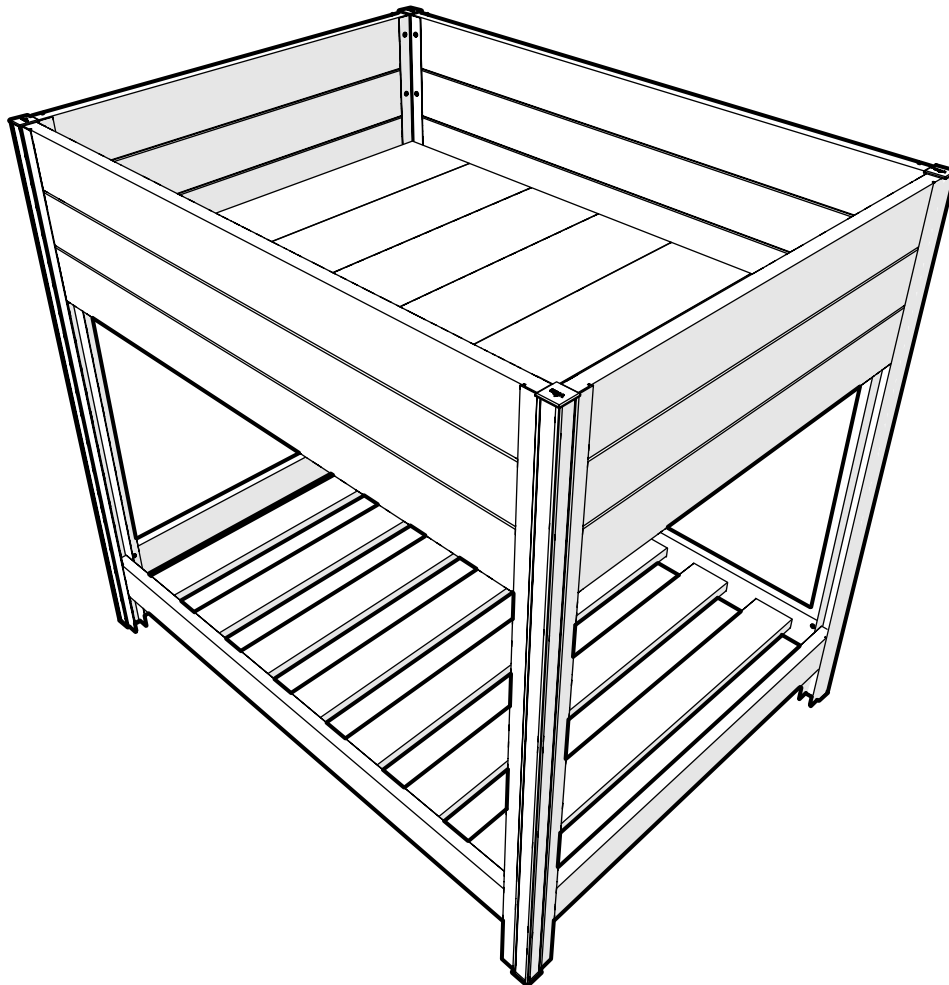
PLANTEUR FERME VEG

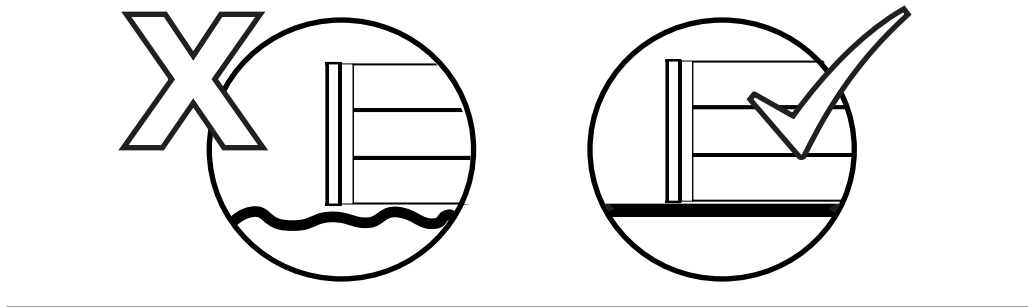
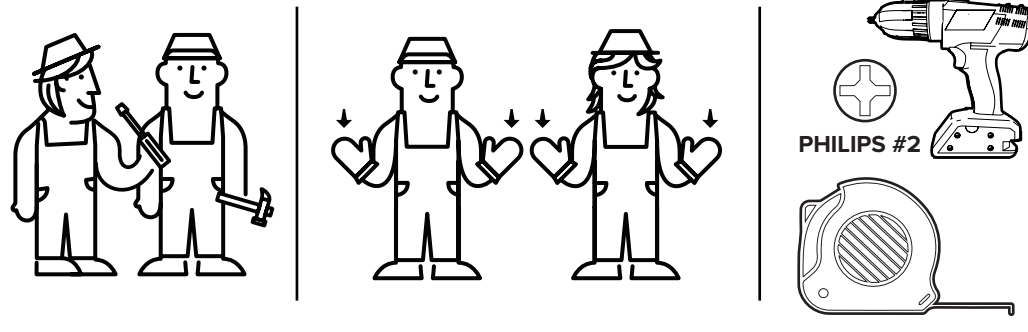
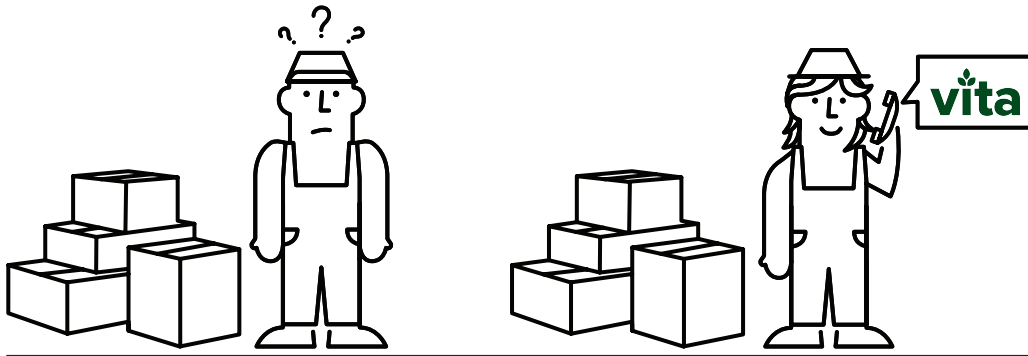
VEGETADORA GRANJA

VT17517 / VT17617

ESPRESSO
EXPRESSO
ESPRESSO

SLATE
ARDOISE
PIZARRA





 1-800 282-9346



HELLO@WEAREVITA.COM



WWW.WEAREVITA.COM



8:00 AM - 5:00 PM EST



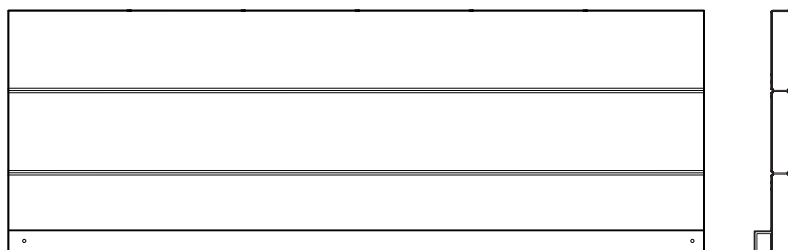
PARTS LIST LISTE DES PIÈCES LISTA DE PARTES



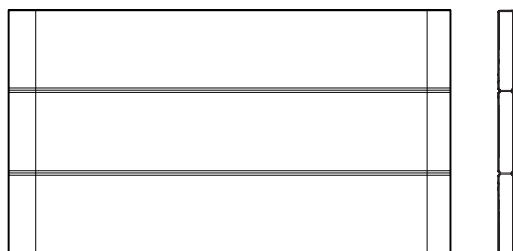
16100 - POST A - PUBLIER A - EXPONER A
39 1/4" (99.7 CM) - **X2**



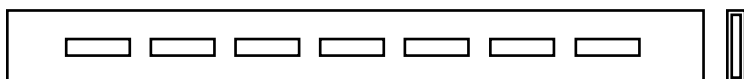
16101 - POST B - PUBLIER B - EXPONER B
39 1/4" (99.7 CM) - **X2**



16102 - SLATE - ARDOISE - PIZARRA
15102 - ESPRESSO - EXPRESSO - ESPRESSO
BOARD A - PLANCHE A - TABLERO A
39" (99.3CM) - **X2**



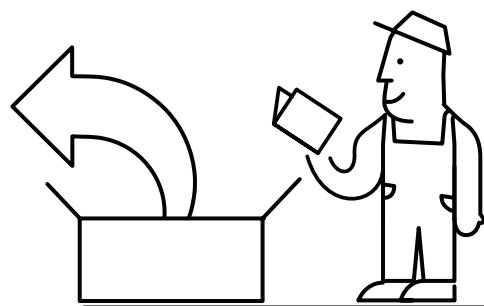
16103 - SLATE - ARDOISE - PIZARRA
15103 - ESPRESSO - EXPRESSO - ESPRESSO
BOARD B - PLANCHE B - TABLERO B
28 3/4" (73CM) - **X2**



16104 - SLATE - ARDOISE - PIZARRA
15104 - ESPRESSO - EXPRESSO - ESPRESSO
SHELF BRACE A - ATTELLE D'ÉTAGÈRE A - SAPORTE DE ESTANTE A
39" (99.3CM) - **X2**



16105 - SLATE - ARDOISE - PIZARRA
15105 - ESPRESSO - EXPRESSO - ESPRESSO
SHELF BRACE B - ATTELLE D'ÉTAGÈRE B - SAPORTE DE ESTANTE B
28 3/4" (73CM) - **X2**





16106 - SLATE - ARDOISE - PIZARRA
15106 - ESPRESSO - EXPRESSO - ESPRESSO
SHELVES - ÉTAGÈRES - ESTANTERÍA
 30 3/4" (78.1CM) - **X7**



16107 - SLATE - ARDOISE - PIZARRA
15107 - ESPRESSO - EXPRESSO - ESPRESSO
FLOOR BOARD A - PLANCHE D'ÉTAGE A - TABLERO DE PISO A
 29" (74.1CM) - **X5**



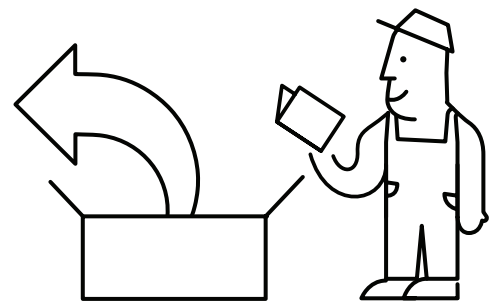
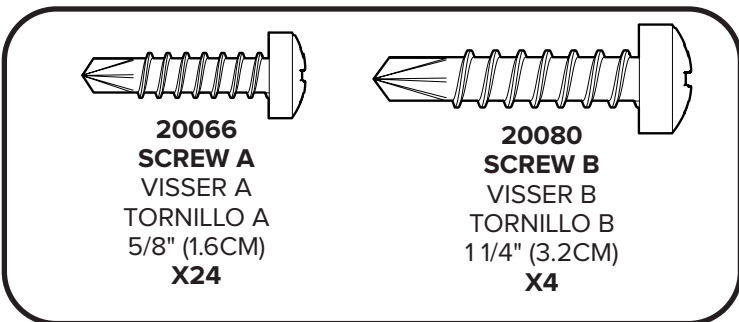
16108 - SLATE - ARDOISE - PIZARRA
15108 - ESPRESSO - EXPRESSO - ESPRESSO
FLOOR BOARD B - PLANCHE D'ÉTAGE B - TABLERO DE PISO B
 29" (74.1CM) - **X1**



16112 - SLATE - ARDOISE - PIZARRA
15112 - ESPRESSO - EXPRESSO - ESPRESSO
FLOOR BOARD C - PLANCHE D'ÉTAGE C - TABLERO DE PISO C
 29" (74.1CM) - **X1**



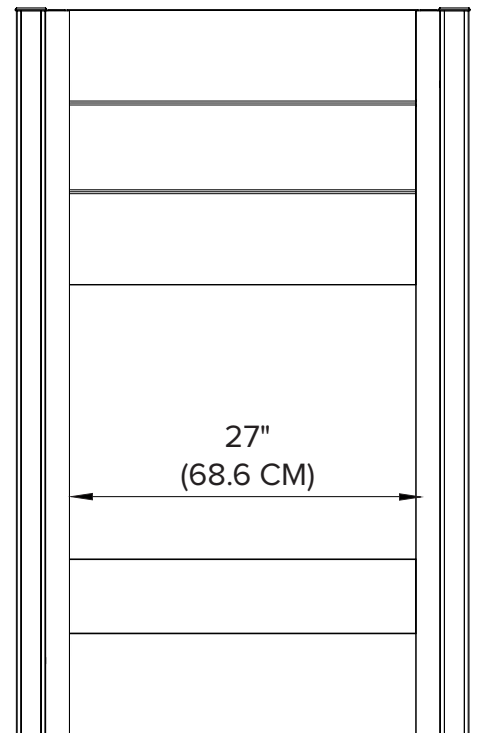
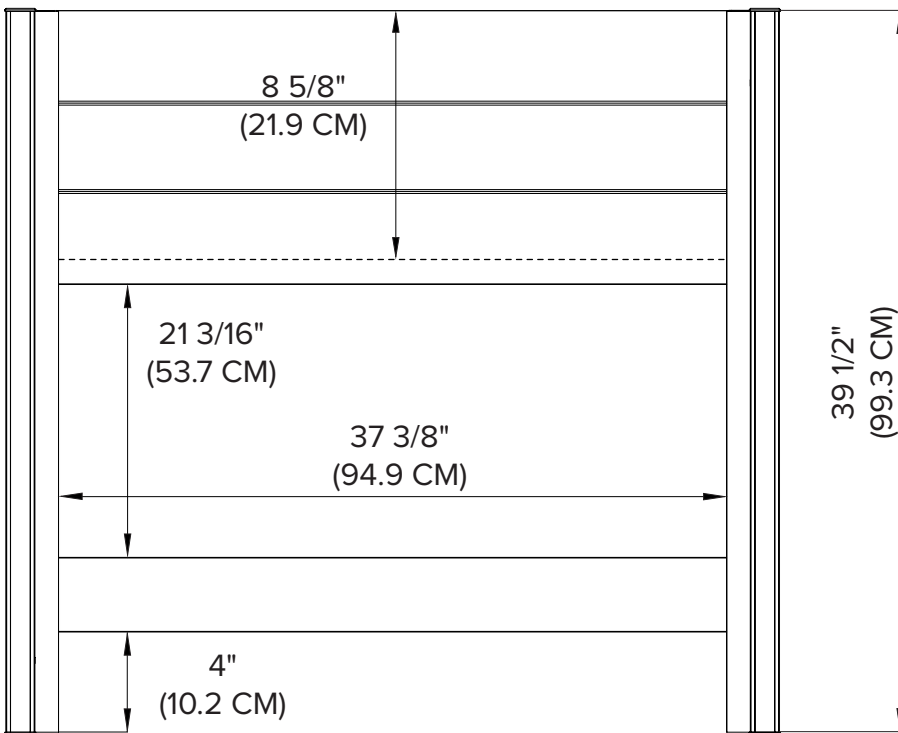
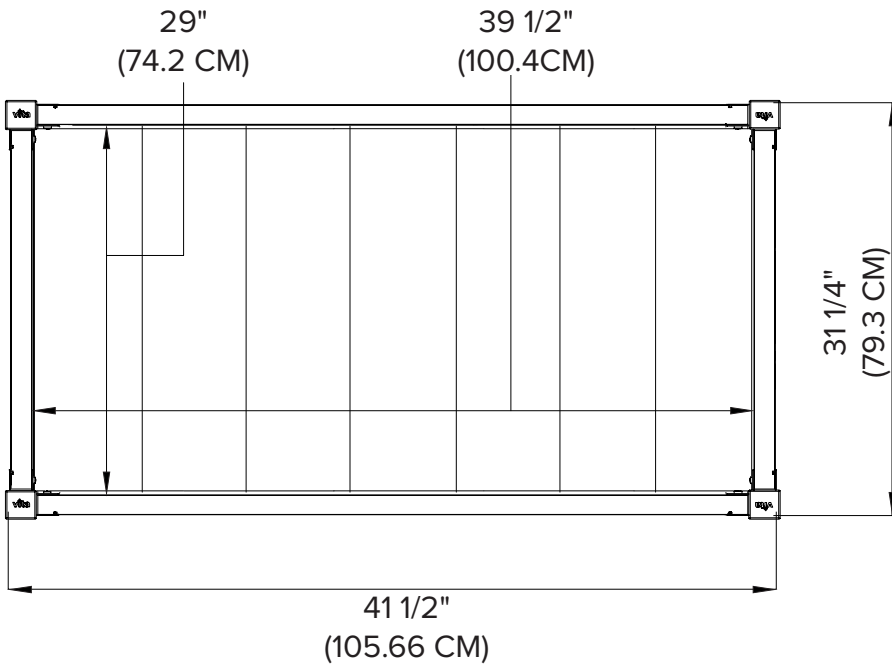
16325
POST CAP - TETE DE POTEAU - TAPON
X8



PRODUCT DIMENSIONS

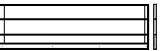
DIMENSIONS DU PRODUIT

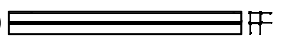
DIMENSIONES DEL PRODUCTO

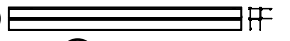


1

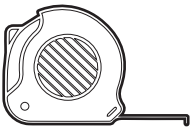
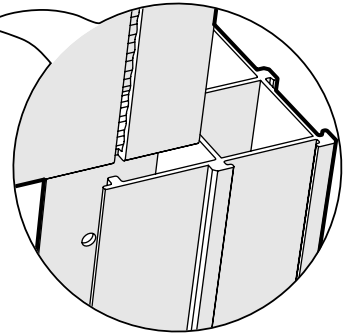
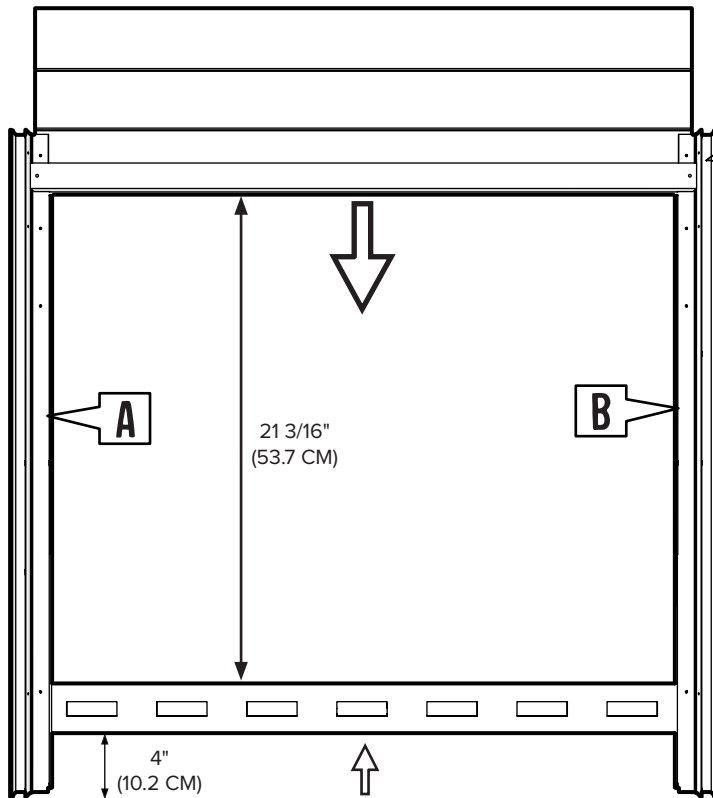
X2

16102/15102 - x2 (A) 

16100 - x2 (A) 

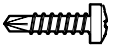
16101 - x2 (B) 

16104/15104 - x2 (A) 

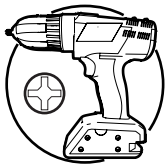
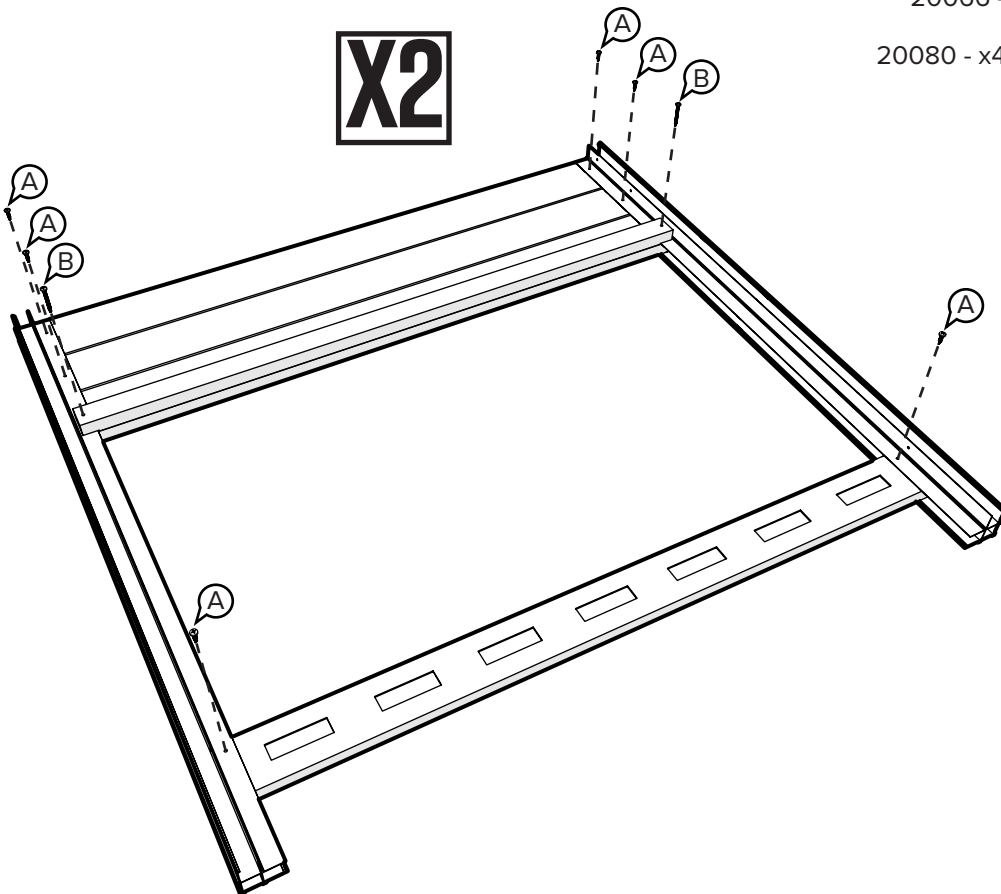


2

X2

20066 - x12 (A) 

20080 - x4 (B) 

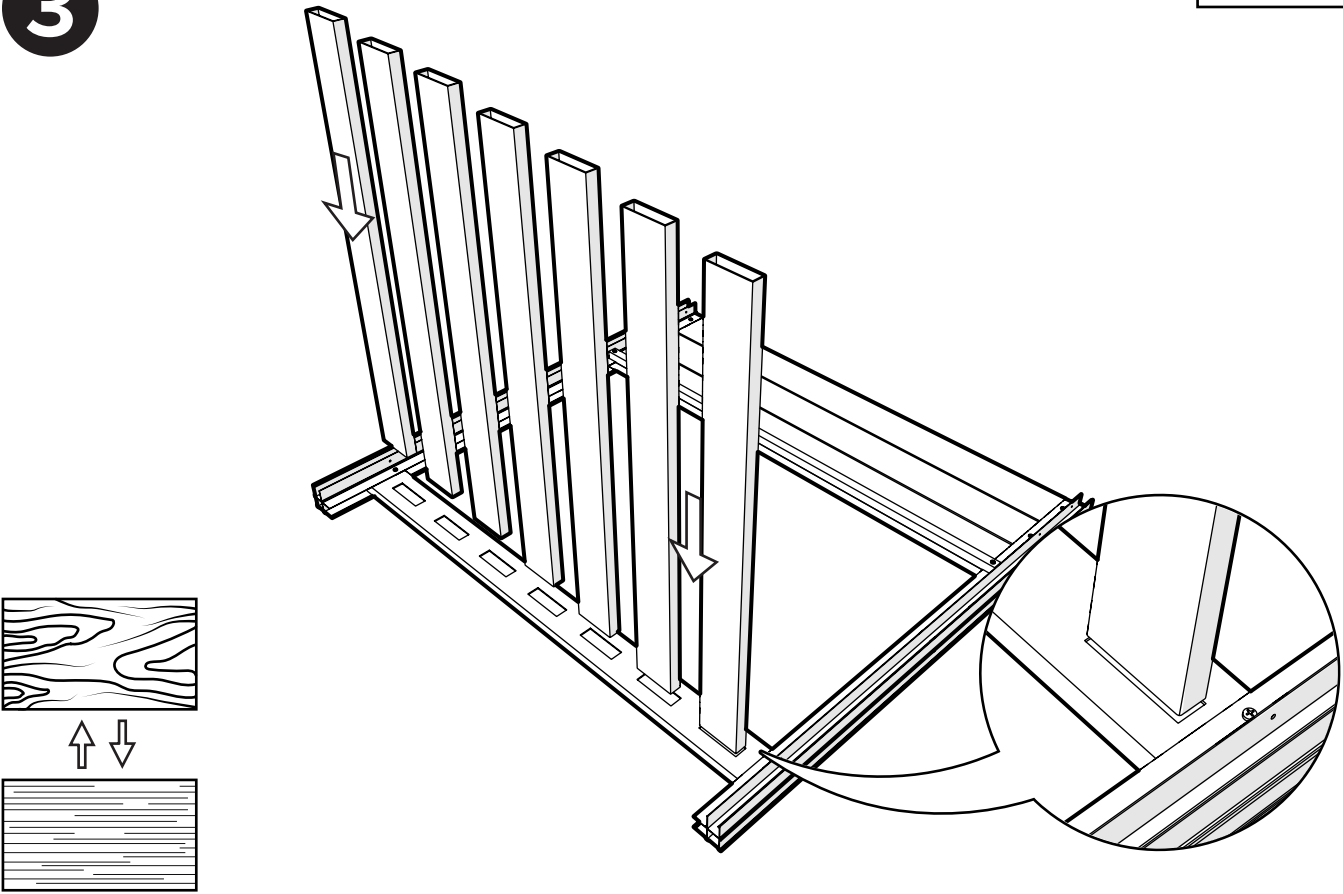


PHILIPS #2




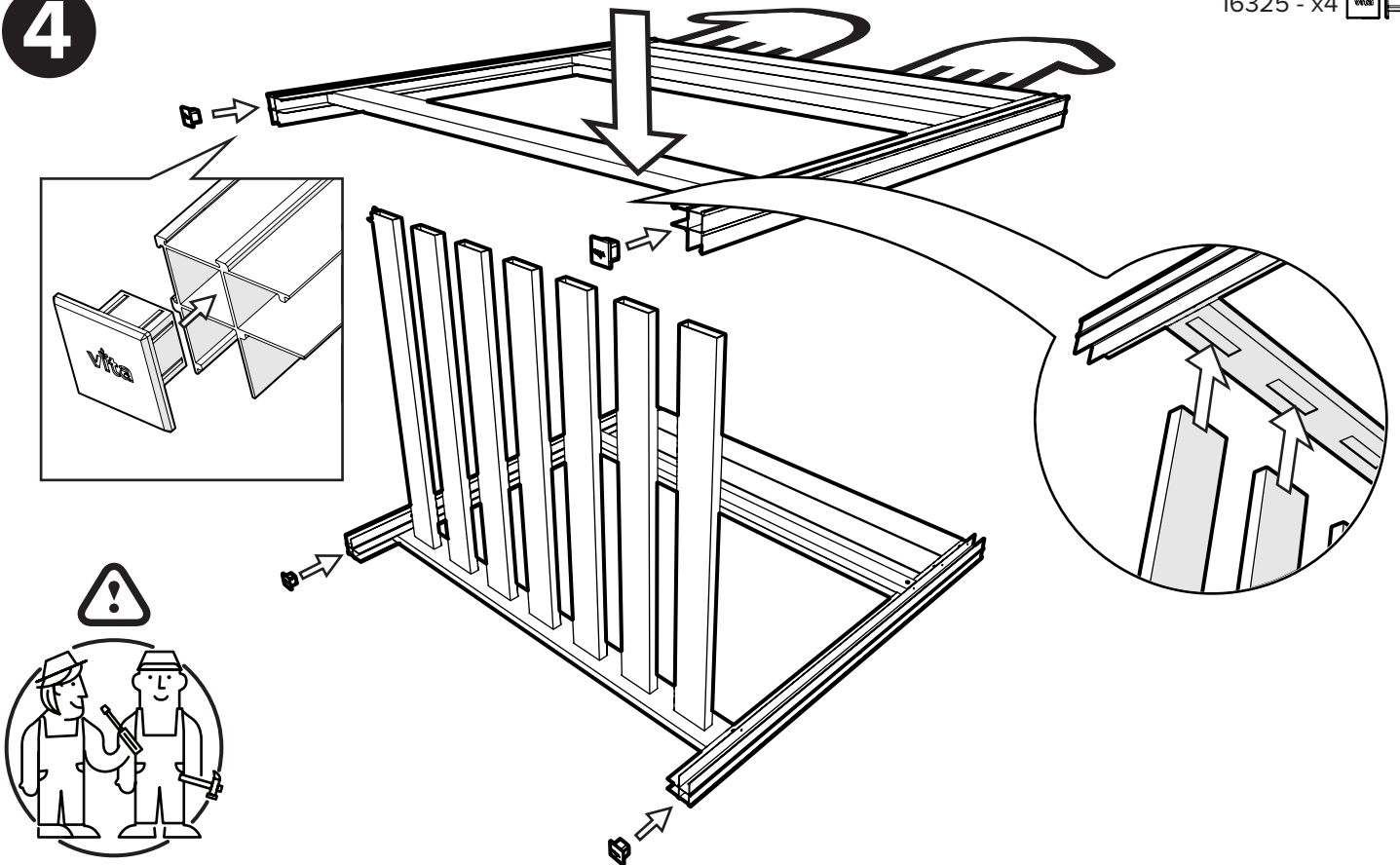
3

16106/15106 - x7 



4

16325 - x4 

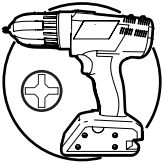
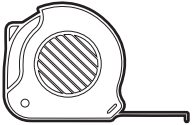
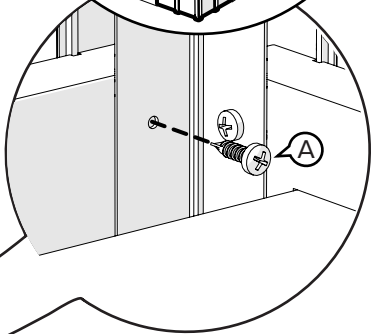
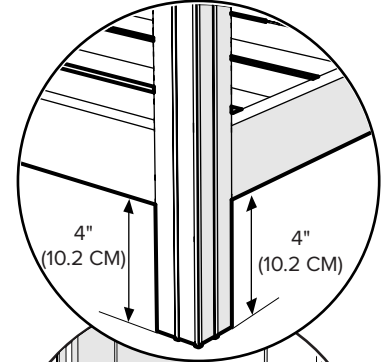
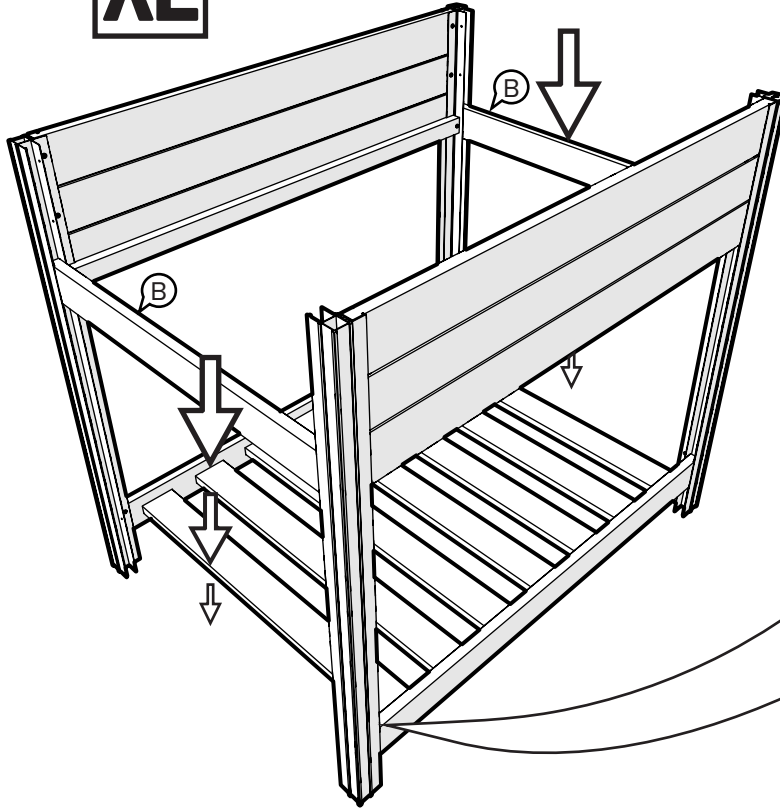


5

X2

16105/15105 - x2 (B)

20066 - x4 (A)



PHILIPS #2

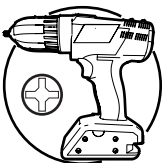
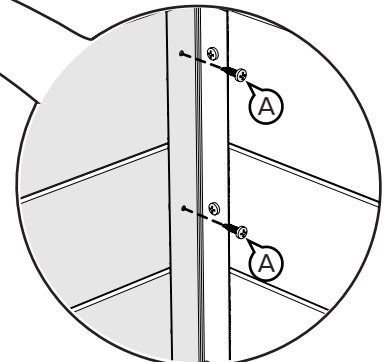
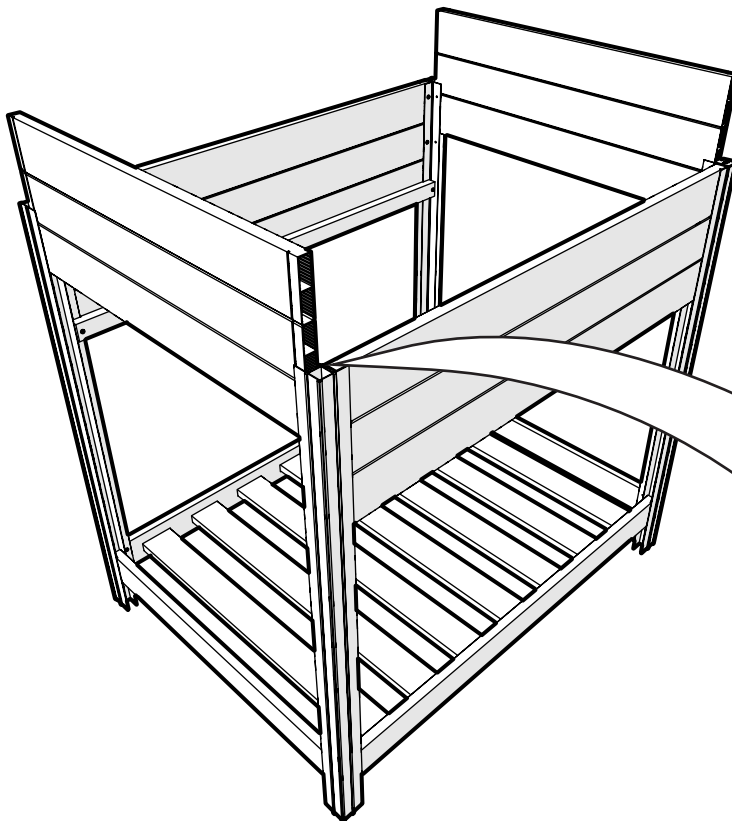


6

X2

16103/15103 - x2 (B)

20066 - x8 (A)



PHILIPS #2



7

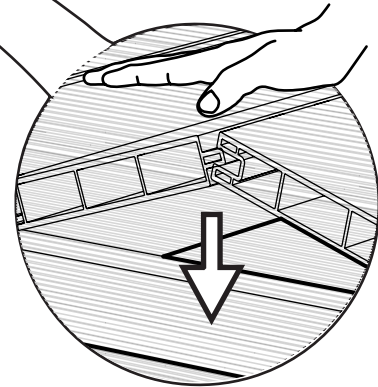
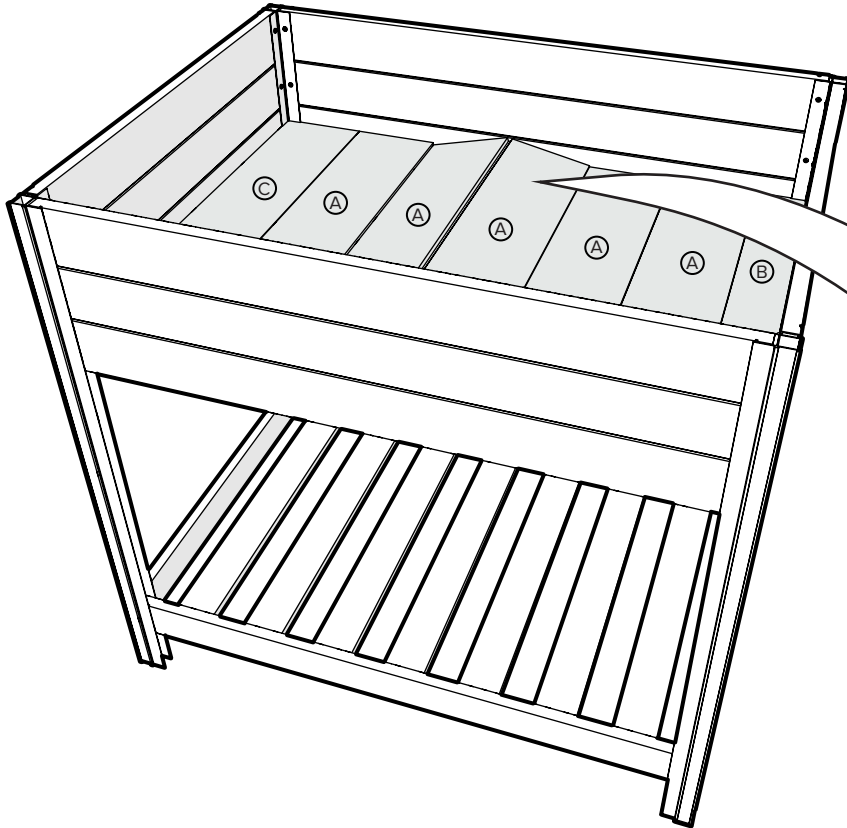
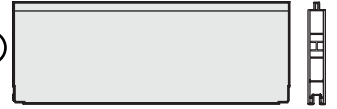
16107/15107 - x5 (A)



16108/15108 - x1 (B)



16000/15000 - x1 (C)



8

16325 - x4 