



**ASSEMBLY GUIDE  
GUIDE DE MONTAGE  
GUÍA DE MONTAJE**

# **SPROUT FARM PLANTER**

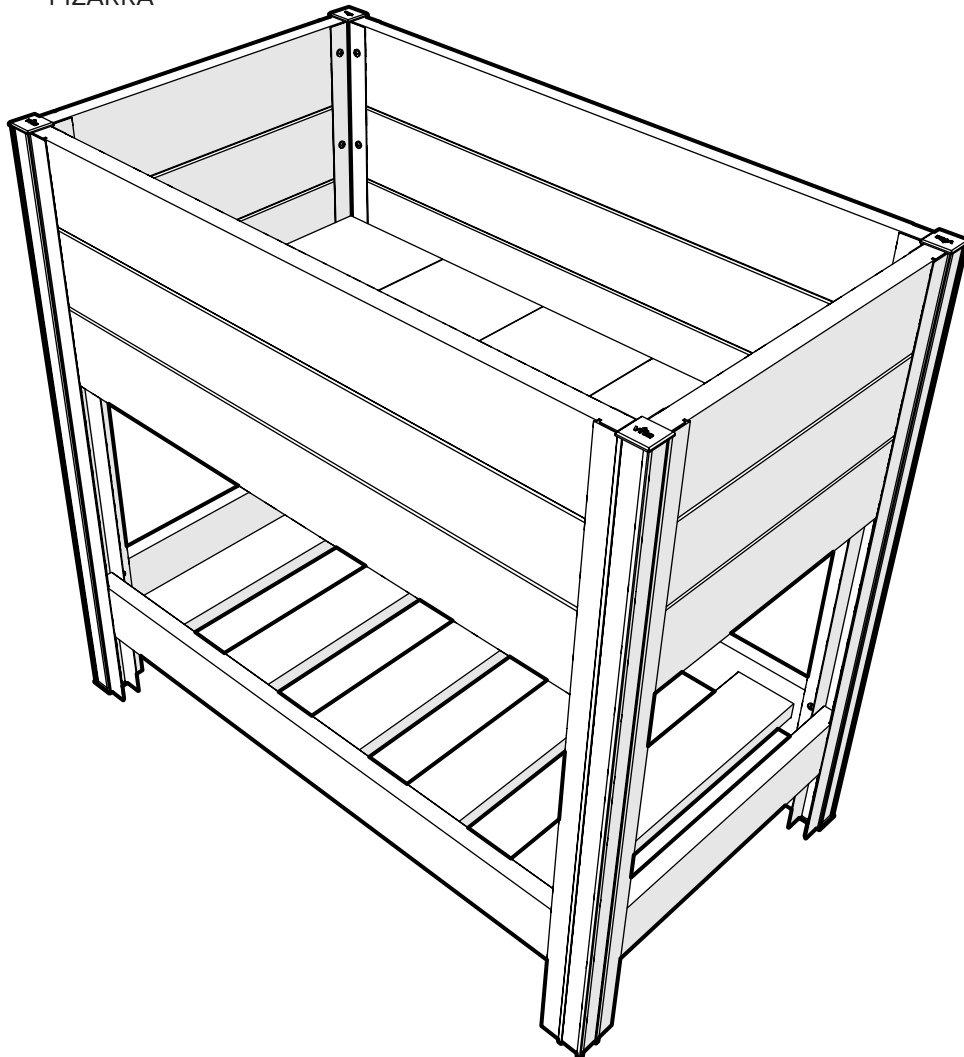
## **PLANTEUR FERME SPROUT**

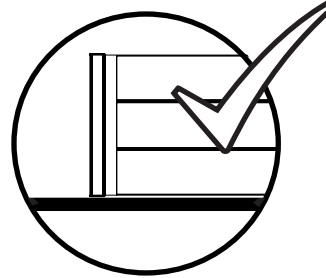
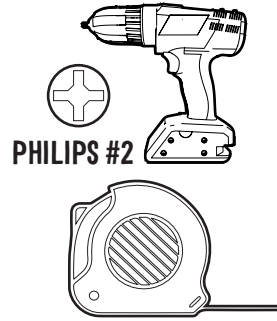
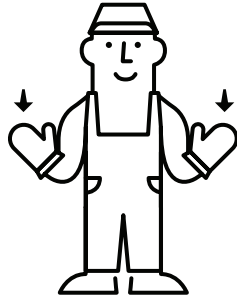
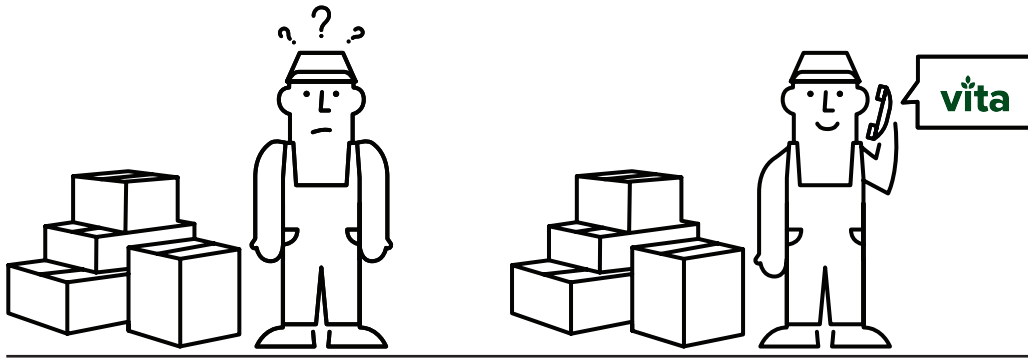
## **JARDINERA SPROUT FARM**

**VT17519 / VT17619**

ESPRESSO  
ESPRESSO  
ESPRESSO

SLATE  
ARDOISE  
PIZARRA





 1-800 282-9346



[hello@wearevita.com](mailto:hello@wearevita.com)



[www.wearevita.com](http://www.wearevita.com)



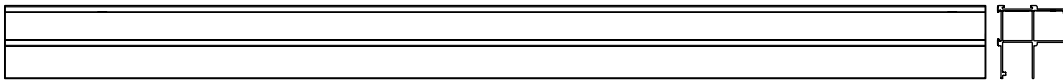
8:00 -5:00 pm EST



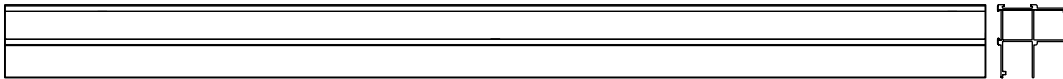
# PARTS LIST

## LISTE DES PIÈCES

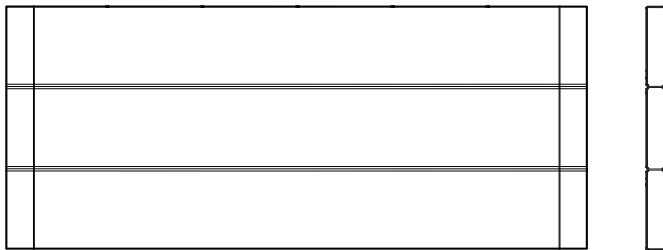
## LISTA DE PARTES



**16079** - POST A - PUBLIER A - EXPONER A  
28 7/8" (73.4CM) - **X2**



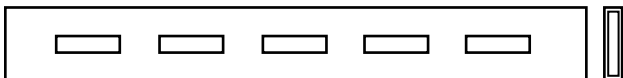
**16080** - POST B - PUBLIER B - EXPONER B  
28 7/8" (73.4CM) - **X2**



**16081** - SLATE - ARDOISE - PIZARRA  
**15081** - ESPRESSO - EXPRESSO - ESPRESSO  
**BOARD A** - PLANCHE A - TABLERO A  
28 1/2" (72.4CM) - **X2**



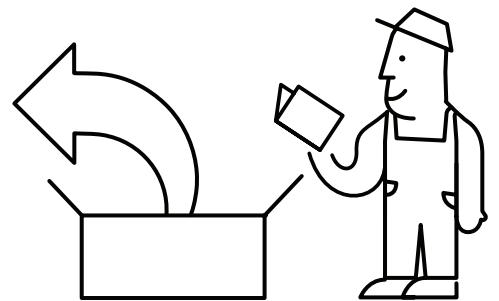
**16082** - SLATE - ARDOISE - PIZARRA  
**15082** - ESPRESSO - EXPRESSO - ESPRESSO  
**BOARD B** - PLANCHE B - TABLERO B  
15 1/2" (39.3CM) - **X2**



**16083** - SLATE - ARDOISE - PIZARRA  
**15083** - ESPRESSO - EXPRESSO - ESPRESSO  
**SHELF BRACE A** - ATTELLE D'ÉTAGÈRE A - SAPORTE DE ESTANTE A  
28 1/2" (72.4CM) - **X2**



**16084** - SLATE - ARDOISE - PIZARRA  
**15084** - ESPRESSO - EXPRESSO - ESPRESSO  
**SHELF BRACE B** - ATTELLE D'ÉTAGÈRE B - SAPORTE DE ESTANTE B  
15 1/2" (39.3CM) - **X2**





**16085** - SLATE - ARDOISE - PIZARRA  
**15085** - ESPRESSO - EXPRESSO - ESPRESSO  
**SHELVES** - ÉTAGÈRES - ESTANTERÍA  
 17 1/2" (44.4CM) - **X5**



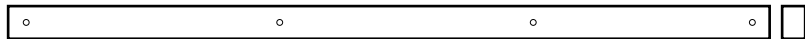
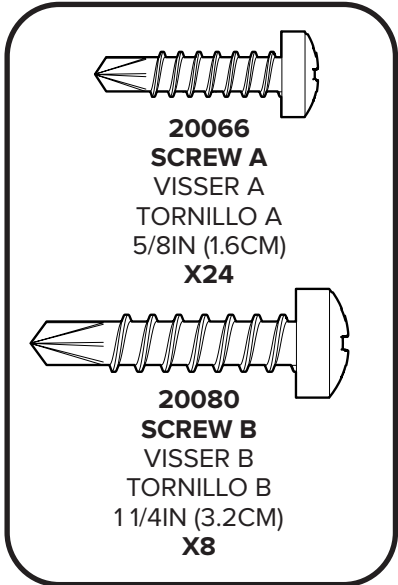
**16086** - SLATE - ARDOISE - PIZARRA  
**15086** - ESPRESSO - EXPRESSO - ESPRESSO  
**FLOOR BOARD A** - PLANCHE D'ÉTAGE A - TABLERO DE PISO A  
 16" (40.6CM) - **X3**



**16087** - SLATE - ARDOISE - PIZARRA  
**15087** - ESPRESSO - EXPRESSO - ESPRESSO  
**FLOOR BOARD B** - PLANCHE D'ÉTAGE B - TABLERO DE PISO B  
 16" (40.6CM) - **X1**



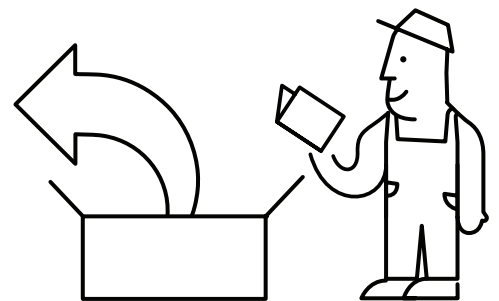
**16110** - SLATE - ARDOISE - PIZARRA  
**15110** - ESPRESSO - EXPRESSO - ESPRESSO  
**FLOOR BOARD C** - PLANCHE D'ÉTAGE C - TABLERO DE PISO C  
 16" (40.6CM) - **X1**



**16088** - SLATE SLATE - ARDOISE - PIZARRA  
**15088** - ESPRESSO - EXPRESSO - ESPRESSO  
**FLOOR BRACE** - BRACE DE PLANCHER - BRACE DE PISO  
 28 1/2" (72.4CM) - **X2**



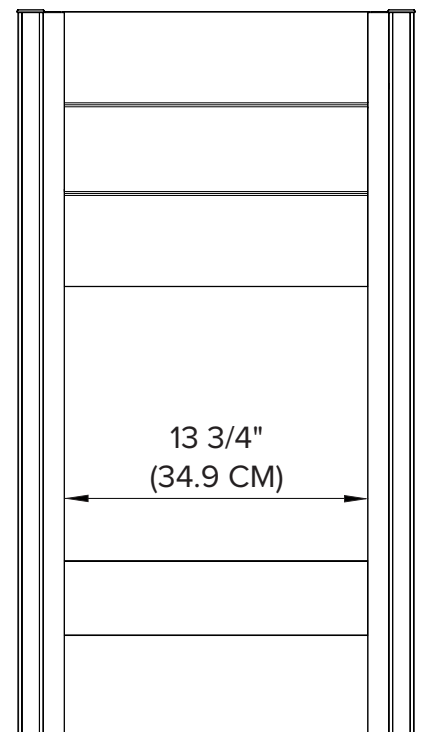
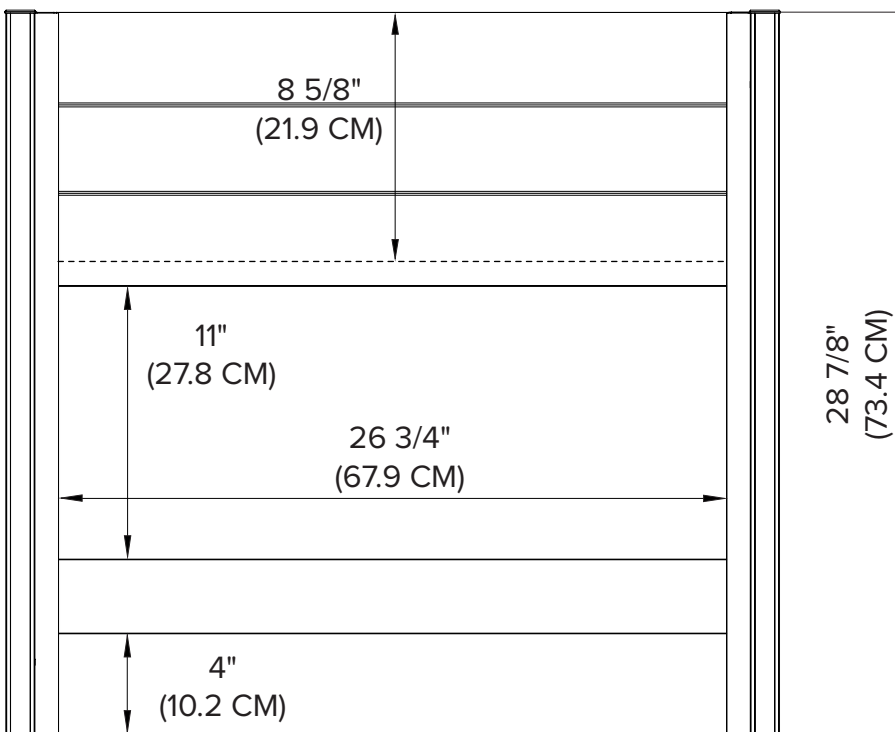
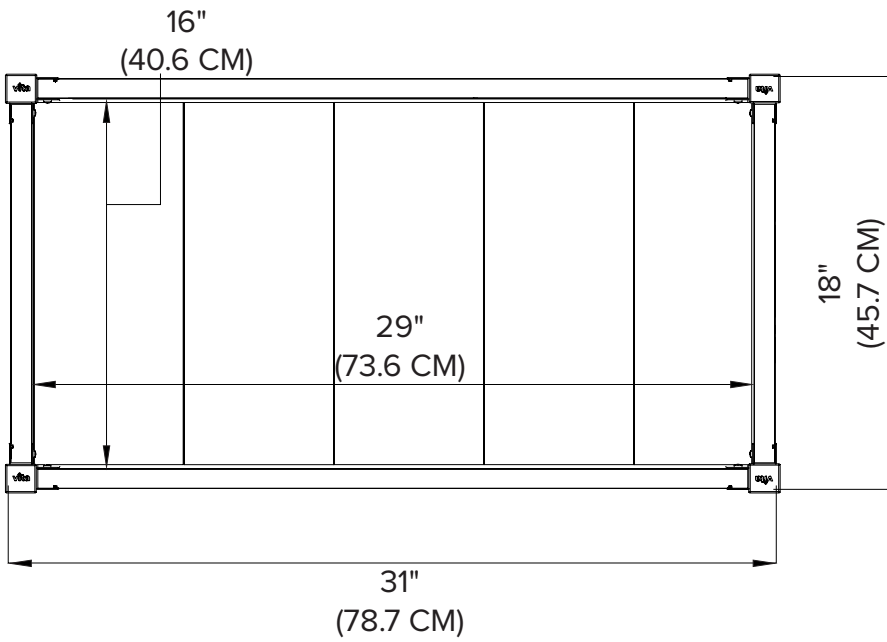
**16325**  
**POST CAP** - TETE DE POTEAU - TAPON  
**X8**



# PRODUCT DIMENSIONS

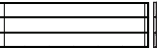
DIMENSIONS DU PRODUIT

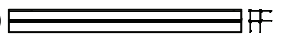
DIMENSIONES DEL PRODUCTO

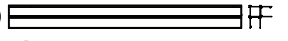


1

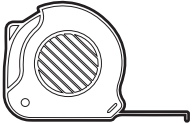
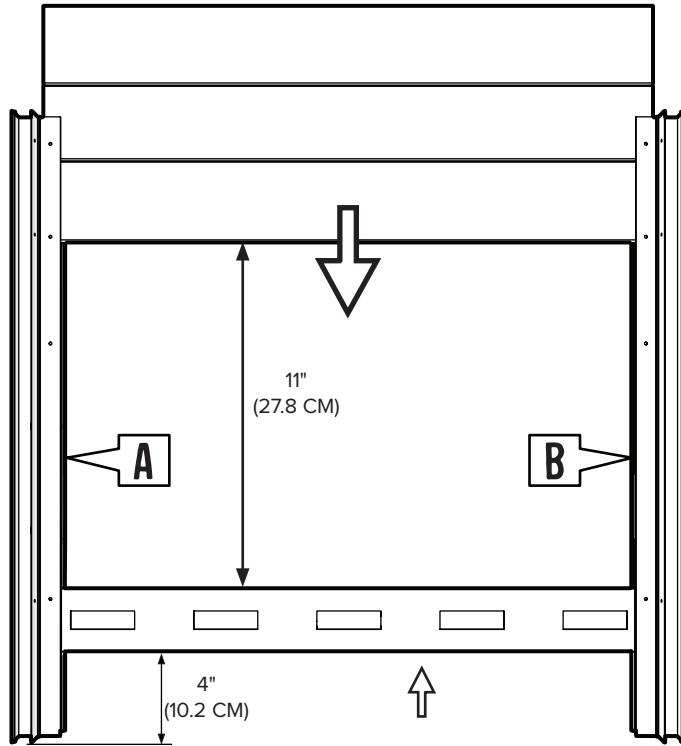
x2

16081/15081 - x2 (A) 

16079 - x2 (A) 


16080 - x2 (B) 

16083/15083 - x2 (A) 

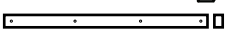


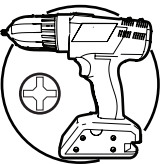
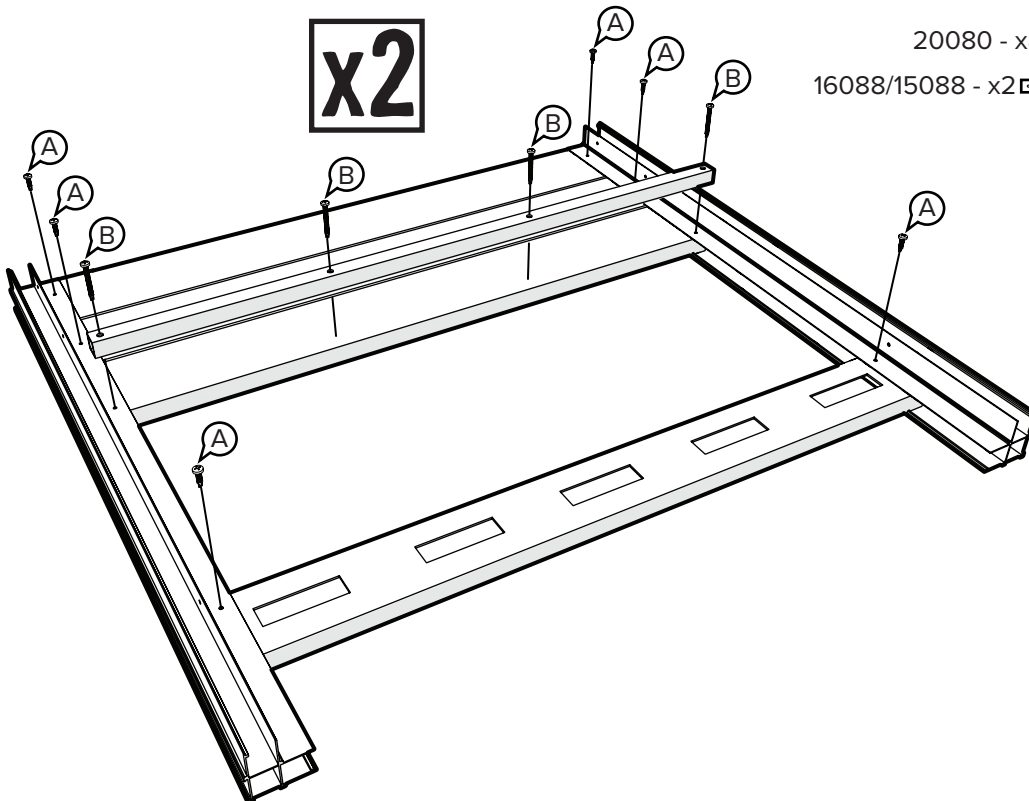
2

x2

20066 - x12 (A) 

20080 - x8 (B) 

16088/15088 - x2 

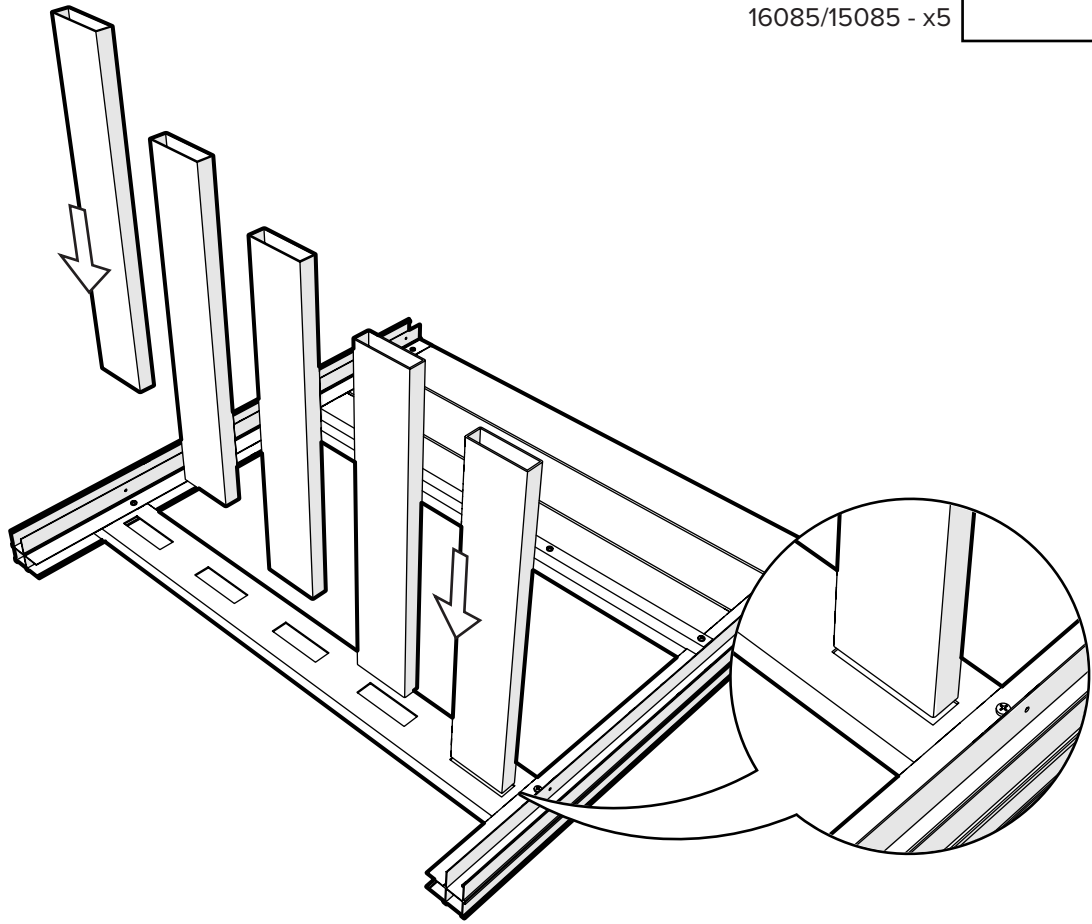
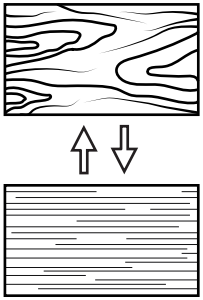


PHILIPS #2




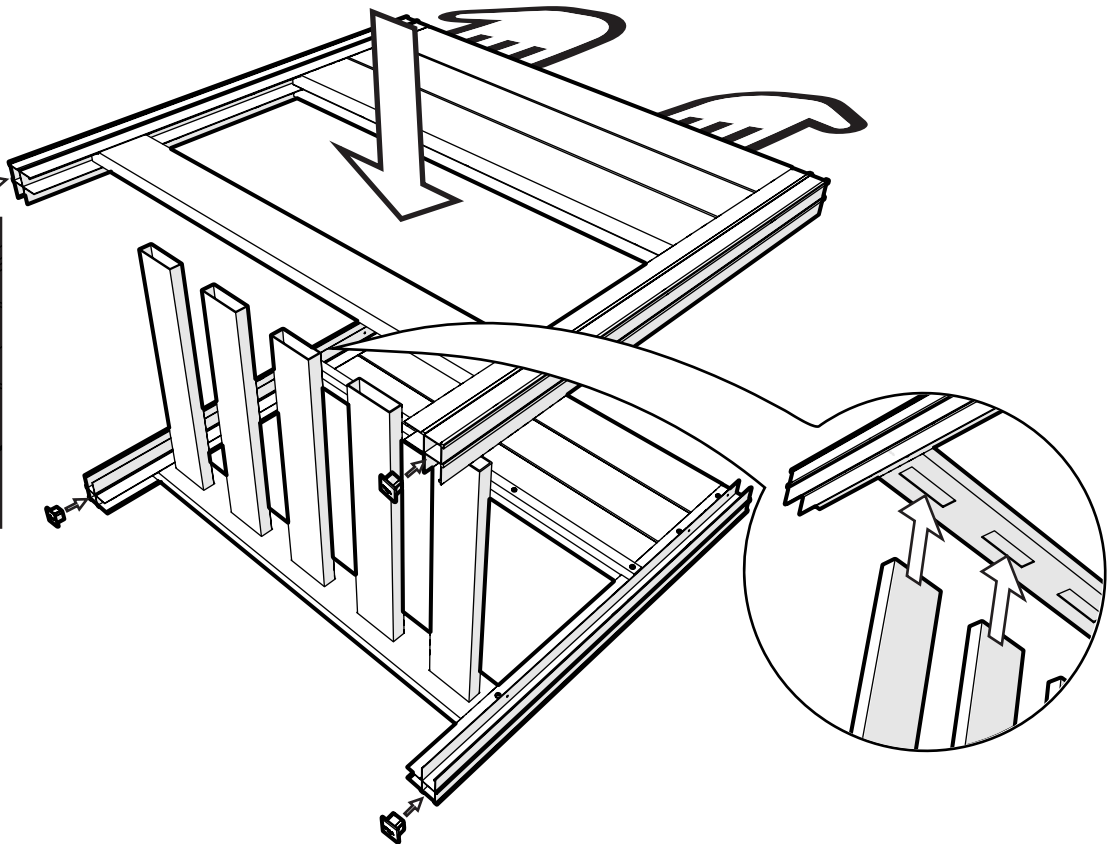
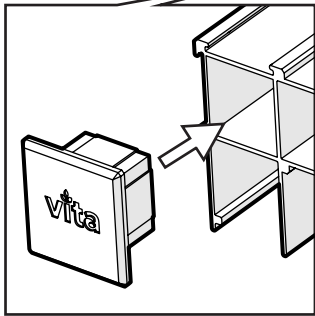
3

16085/15085 - x5 



4

16325 - x4 

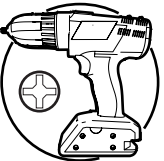
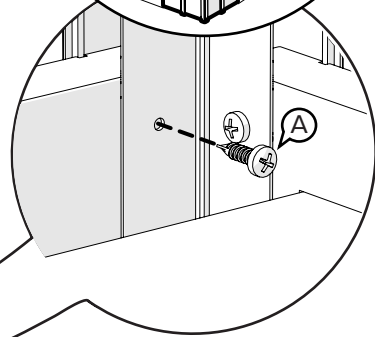
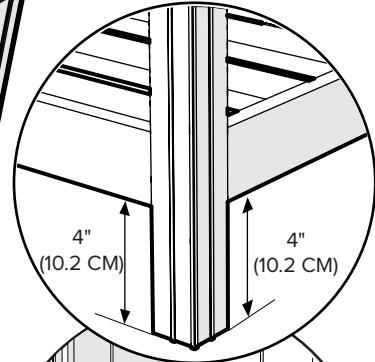
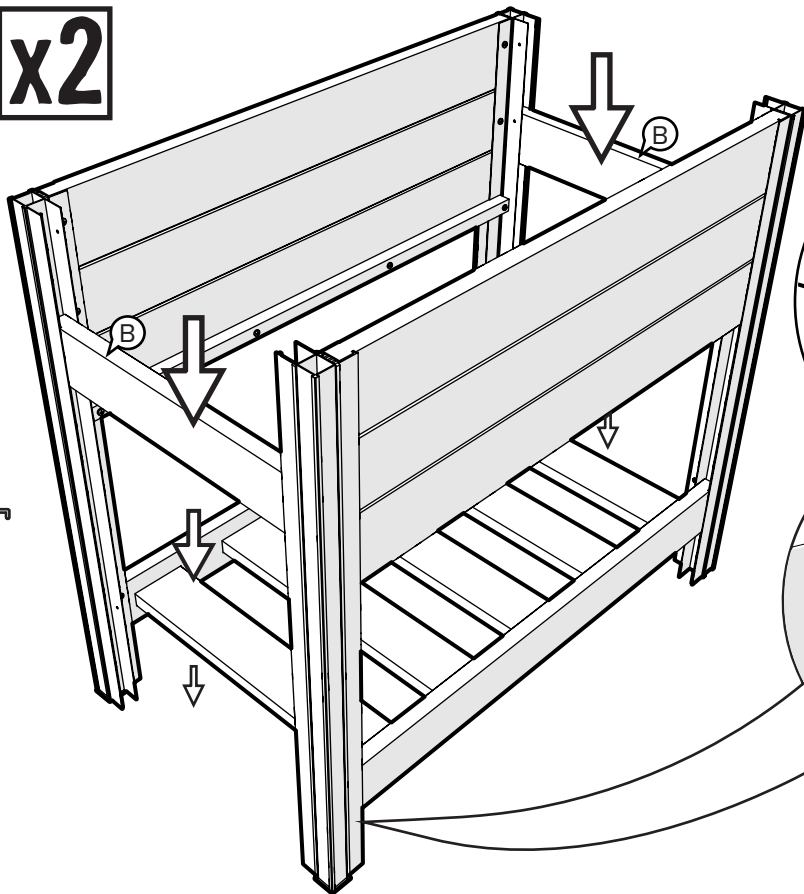


5

x2

16084/15084 - x2 (B)

20066 - x4 (A)



PHILIPS #2

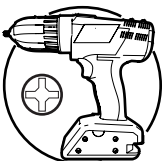
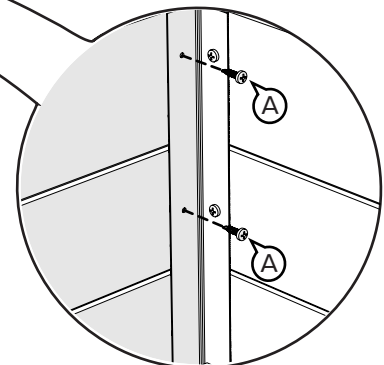
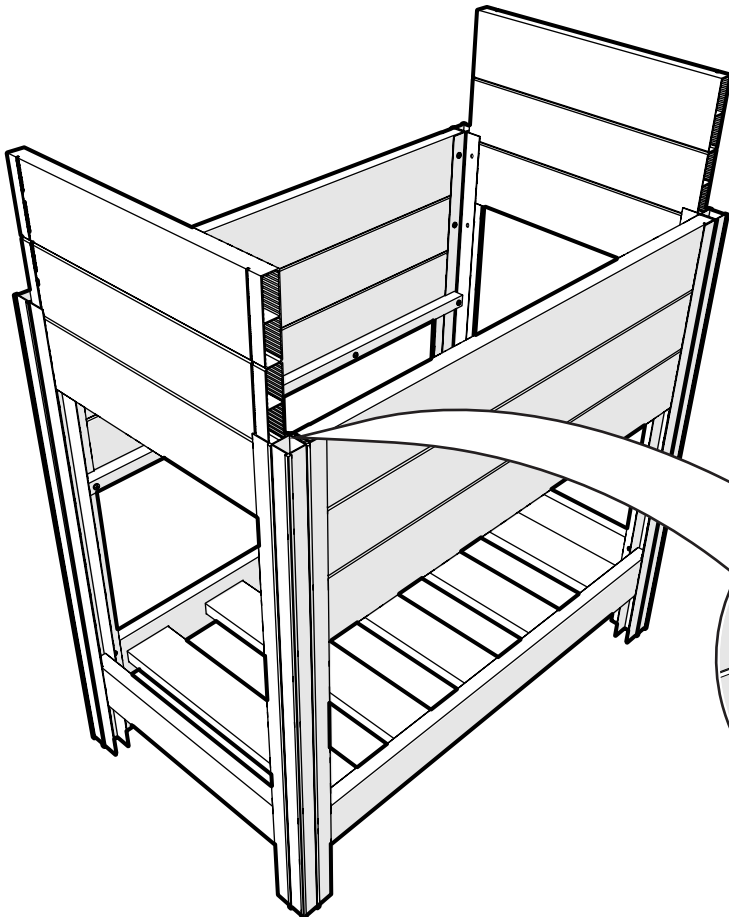


6

x2

20066 - x8 (A)

16082/15082 - x2 (B)






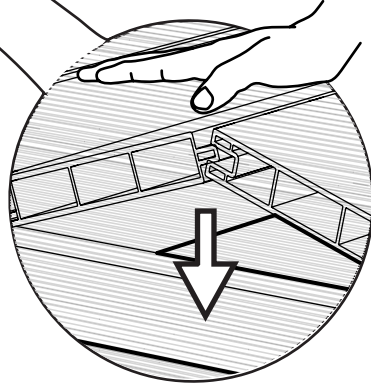
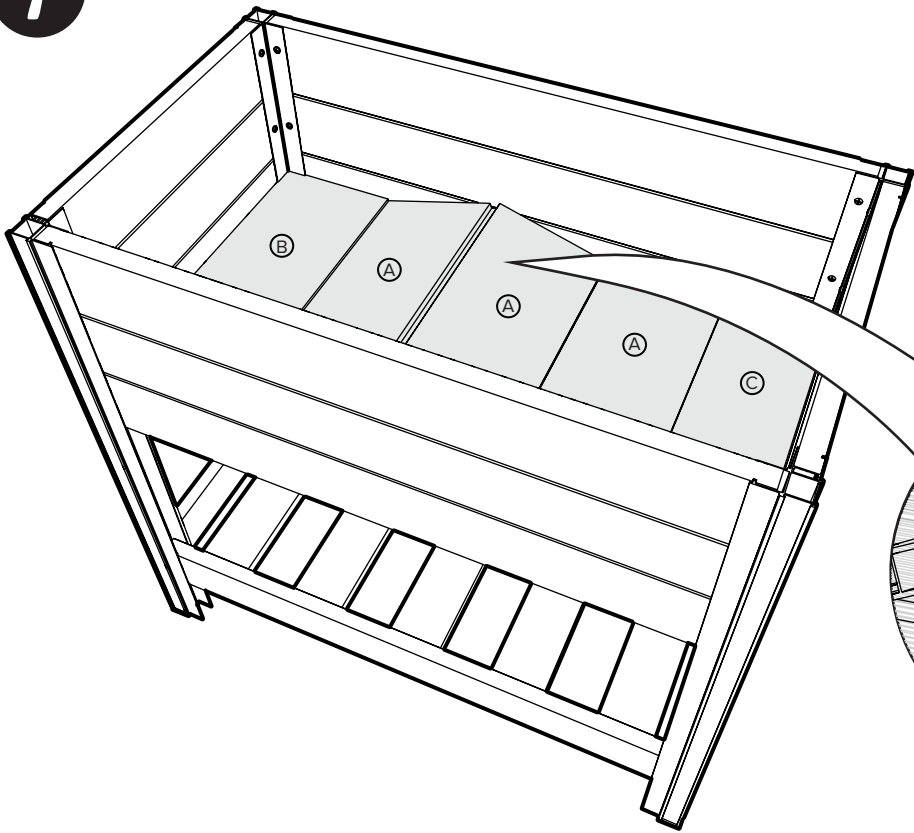
PHILIPS #2





7

- 16086/15086 - x3 (A) 
- 16087/15087 - x1 (B) 
- 16110/15110 - x1 (C) 



8

16325 - x4 